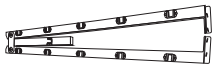


Deluxe Platform Base Assembly

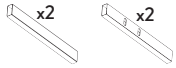
INCLUDED PARTS



Head/Foot Rails (A)
2 pcs



Side Rails with Brackets (B)
2 pcs



Legs (C)
4 pcs



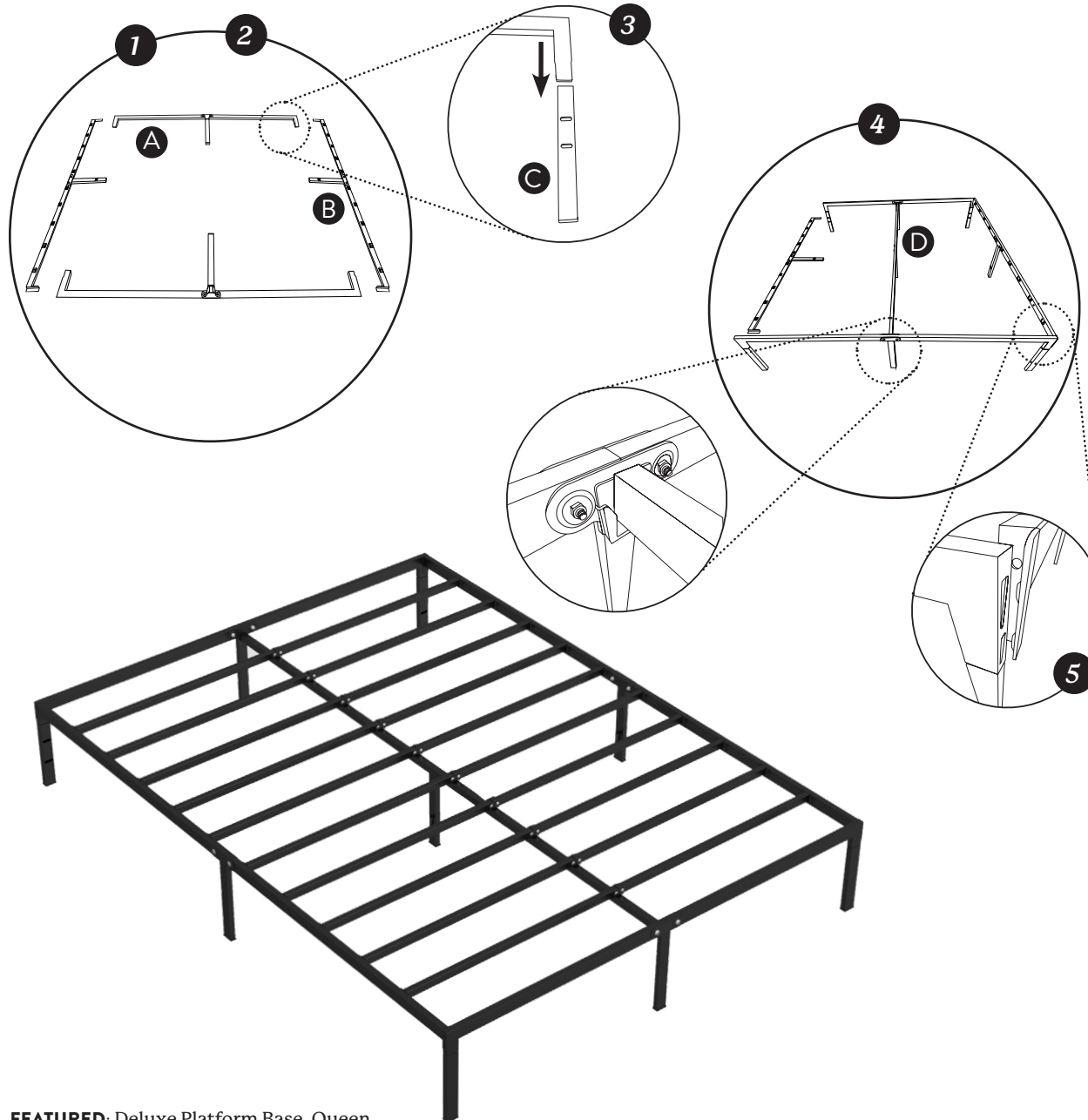
Center Rail (D)
(Not Used on Twin/TXL)
1 pcs



Center Rail Connectors (E)
(King /Cal-King Only)
2 pcs



Cross Slats (F)
10 pcs



1. Fully open both Head and Foot Rails (Part A) completely and place them opposite each other, center leg brackets facing inward.
2. Fully open both Side Rails (Part B) and lay them opposite each other with the small brackets facing up.
3. Attach legs (Part C) to the four ends of Part A. Push them down until securely in place.

NOTE: If using a headboard, make sure slotted legs are attached at the head of the base.

4. Open Center Rail (Part D) and position as shown. Insert tab ends of Part D into the center leg brackets of Part A and push down to secure.
5. Lift one corner of Part B and guide the tabs of the bracket on Part A into the wider slots on Part B. Push down to lock them in place.

Repeat this for the other three corners.

FEATURED: Deluxe Platform Base, Queen

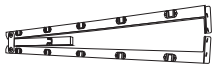
Deluxe Platform Base Assembly

NEED HELP?
 1-800-444-8444
 warranty@rizehome.com

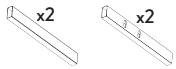
INCLUDED PARTS



Head/Foot Rails (A)
2 pcs



Side Rails with Brackets (B)
2 pcs



Legs (C)
4 pcs



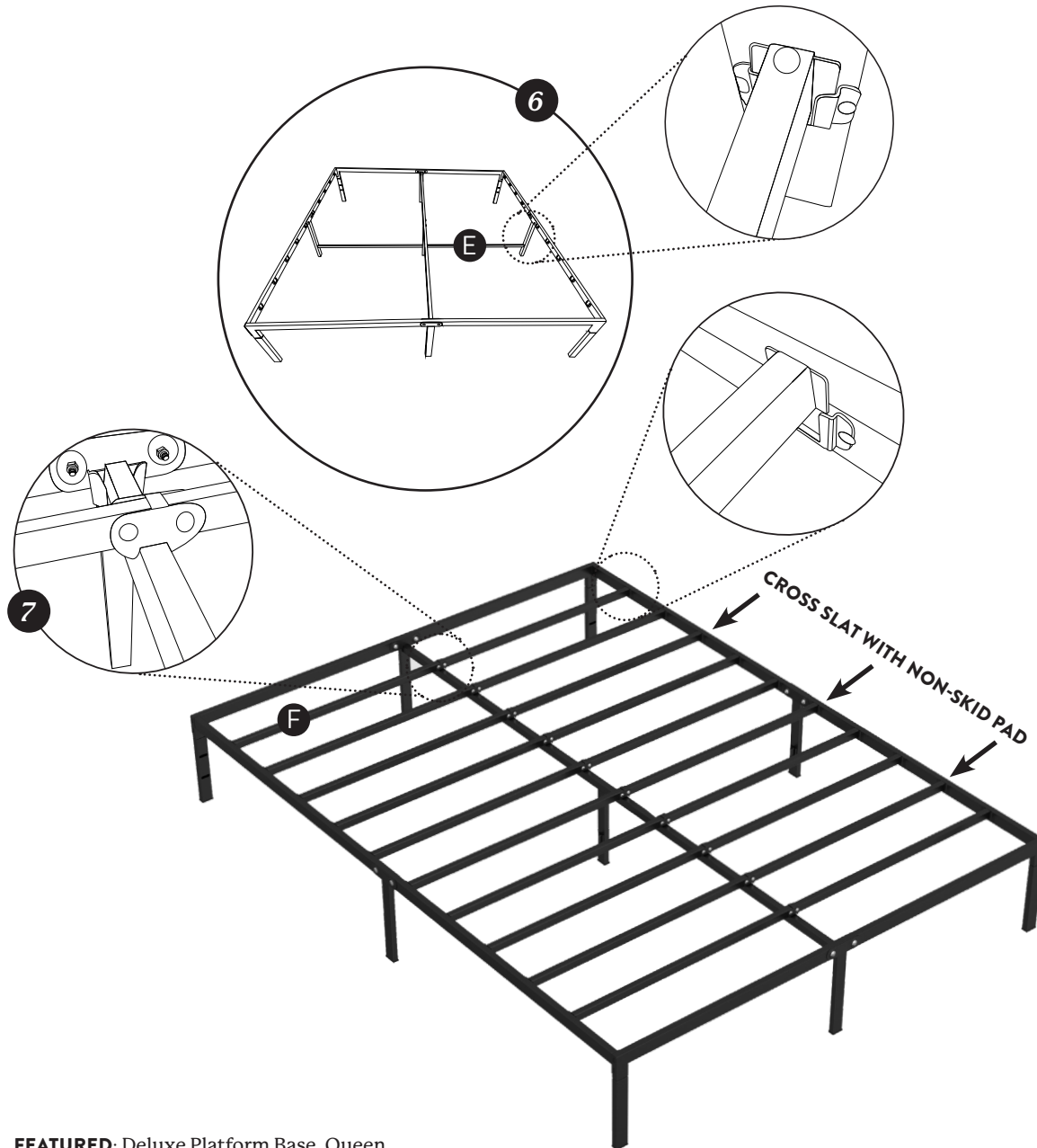
Center Rail (D)
(Not Used on Twin/TXL)
1 pcs



Center Rail Connectors (E)
(King /Cal-King Only)
2 pcs



Cross Slats (F)
10 pcs



- CAL-KING & KING ONLY:** Attach Cross Bar (Part E) between the center legs of Part B and Part D. Slide the tab ends of Part E into the center leg bracket of Part B & Part D. Push down until it's firmly in place. Repeat until both ends of Part E are secure.
- Fully open Cross Slats (Part F) and place them on top of Part D. Make sure the 3 Cross Slats with non-skid pads are placed as the arrow notes on the featured image. Attach Part F by sliding the tab ends into the brackets of Part B and push down to ensure all pieces of Part F are firmly in place.

NOTE: Make sure center hinge notch on Part D is facing downward. Part F on Twin size are **NOT** hinged.