



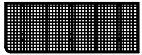
Apex Platform Bed

INCLUDED PARTS

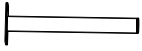
Right Frame
1 pc



Left Frame
1 pc



Leg
9 pcs



Allen Wrench
1 pc



Bolts
18 pcs



Side Panels
2 pcs



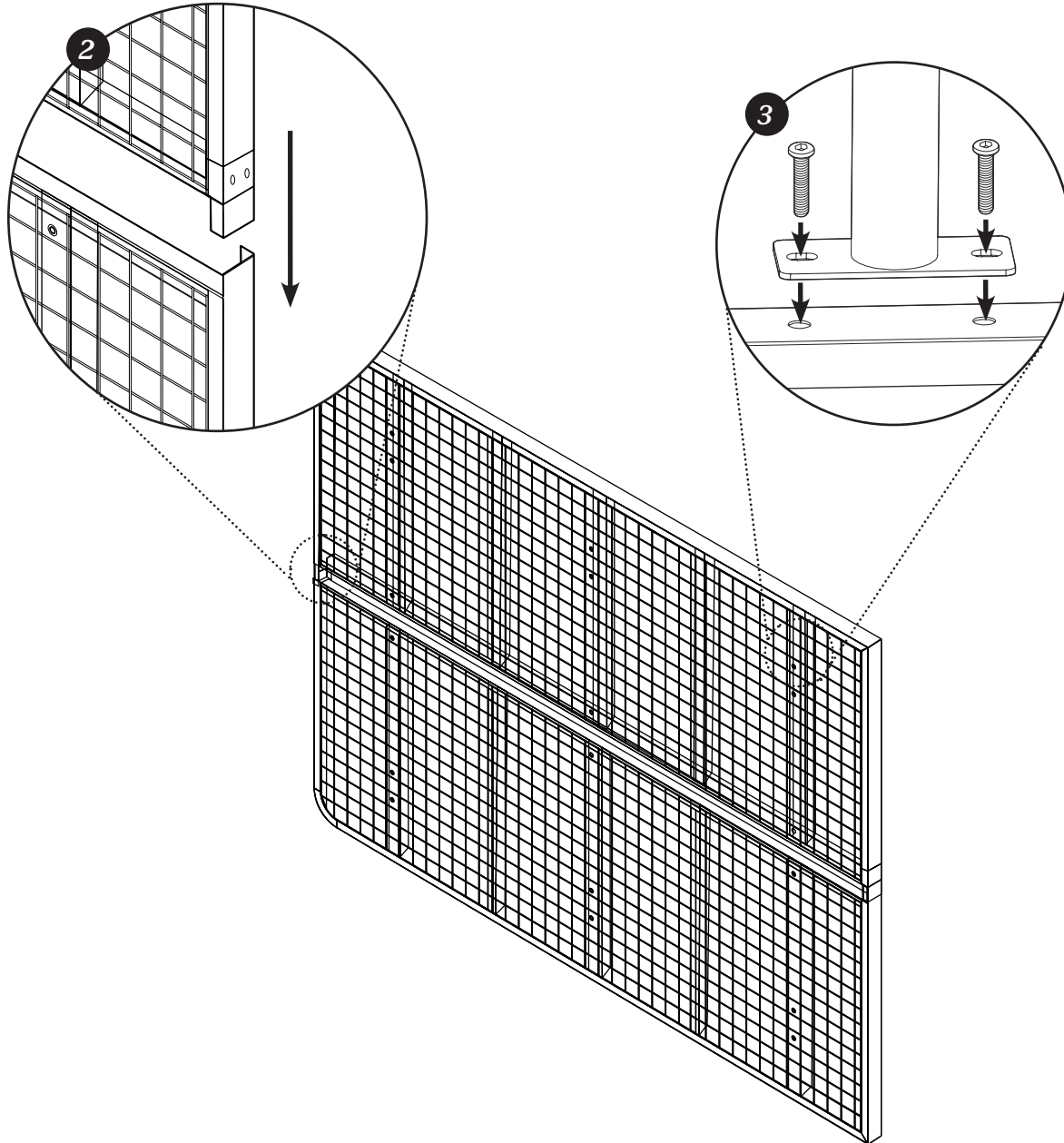
Foot Panel
1 pc



Panel Clips
13 pcs



Connector Plugs
4 pcs



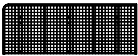
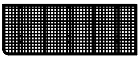
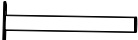






1. Lay out left and right sections so the grid is facing down and the holes in the cross supports are facing upward.
2. Join left and right sections by inserting the extended tabs into the opposite section.
3. Attach 3 legs along the center of the two sections using 6 bolts. Tighten fully with Allen Key.
4. Attach the other 6 legs around the perimeter using 12 bolts. Tighten all bolts with Allen Key.
5. Carefully lift and flip/invert the base over so it is resting on the 9 legs.

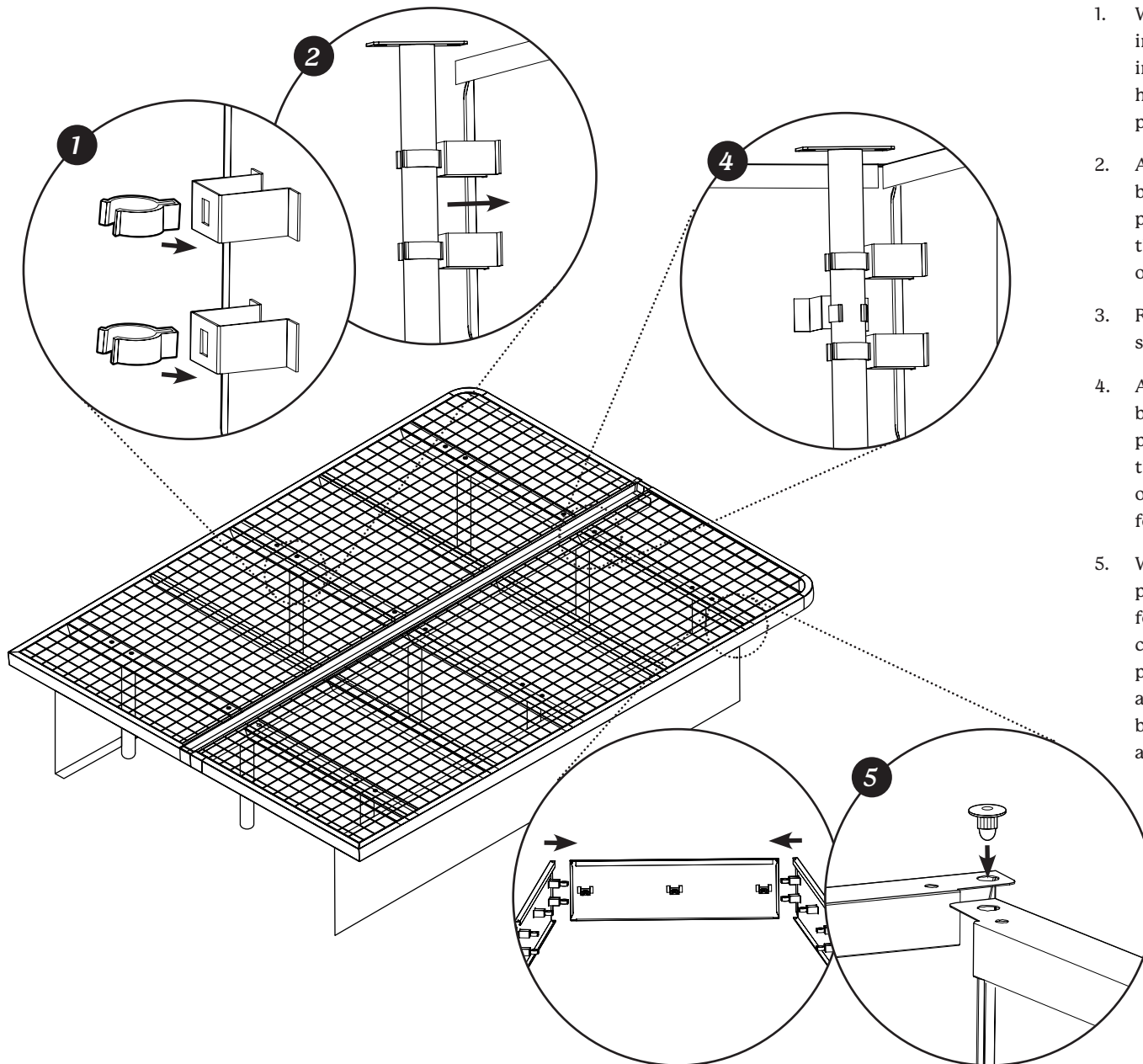


Apex Platform Base

WITH UNDERBED PANELS

INCLUDED PARTS

- Right Frame
1 pc 
- Left Frame
1 pc 
- Leg
9 pcs 
- Allen Wrench
1 pc 
- Bolts
18 pcs 
- Side Panels
2 pcs 
- Foot Panel
1 pc 
- Panel Clips
13 pcs 
- Connector Plugs
4 pcs 



1. When using panel kit, insert the 13 panel clips into the rectangular holes in the back of the panels.
2. Attach one side panel by gently pushing the panel with clips against the legs until they clamp onto the three side legs.
3. Repeat for the other side.
4. Attach the foot panel by gently pushing the panel with clips against the legs until they clamp onto the three legs at the foot of the base.
5. Where the foot and side panels intersect at the foot corners, secure each corner with a connector plug through the foot and side panels in from both the top and bottom at the corners.