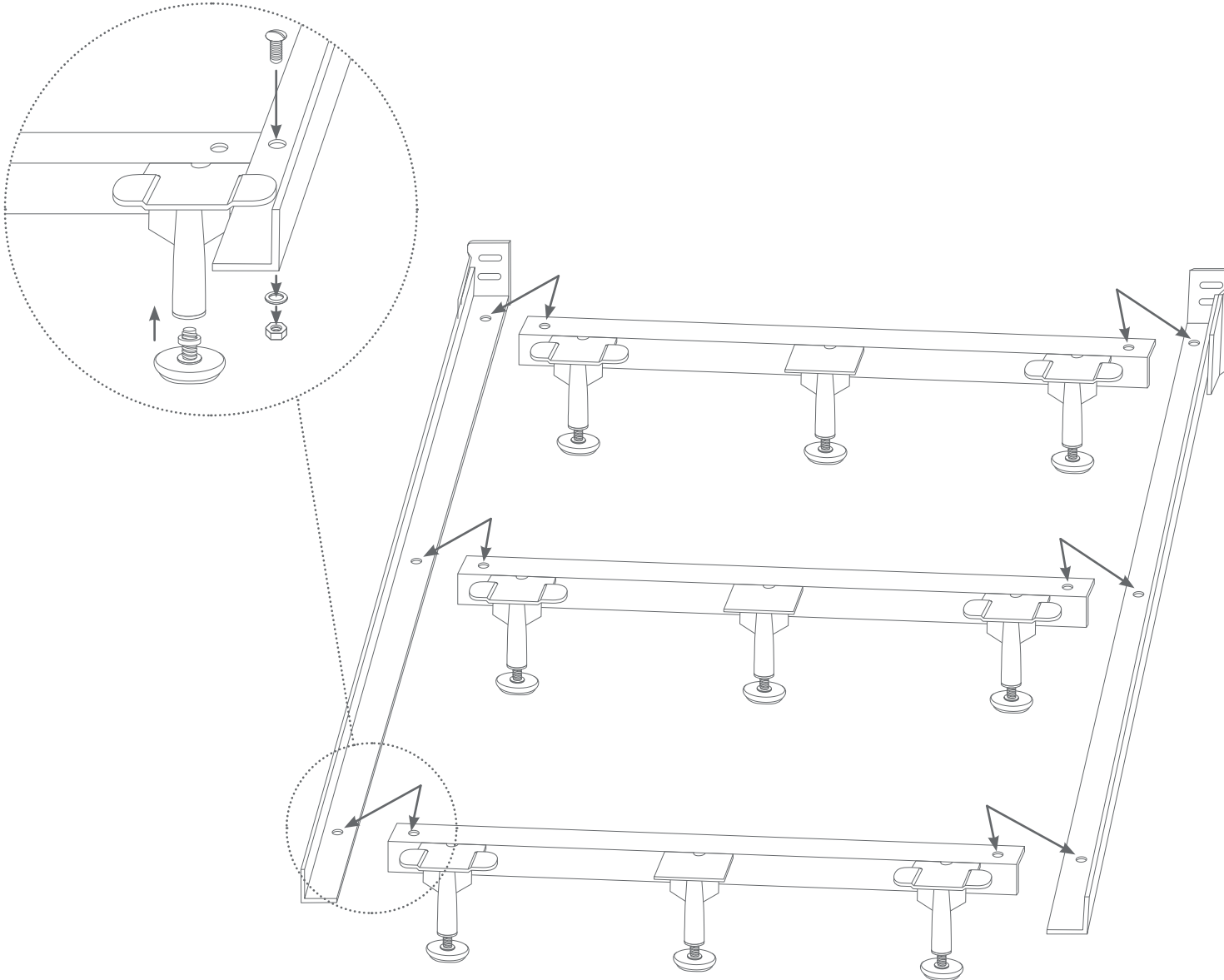


WATERBED BED FRAMES

T13WB, F23WB, Q33WB, K43WB, BBT13WB, BBF23WB, BBQ33WB, BB443WB

To learn more about your product or its warranty, call **855.581.3095** or visit us online at glideaway.com.



**FOR BOLT ON HEADBOARD ONLY
WATERBED FRAMES**

1. Slide tab over top of rail flat surface.
2. Slide tab of leg on cross rail over side rail and adjust so as to align hole on cross rails with hole on side rail.
3. Fasten cross rail to side rail with nuts, bolts and washers provided. Tighten securely.
4. Insert threaded glides into legs. For Brass bed frames, see note below.

FOR BRASS BED WATERBED FRAMES

Brass bed frames do not have plastic end caps, but have pre-attached slotted end plates at both ends of side rails.

FULL: center support bar has one leg

TWIN: cross rail bar and center support bar has two legs