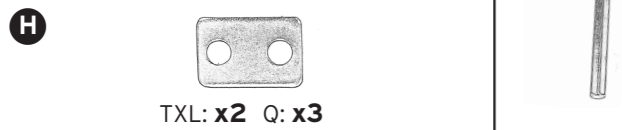
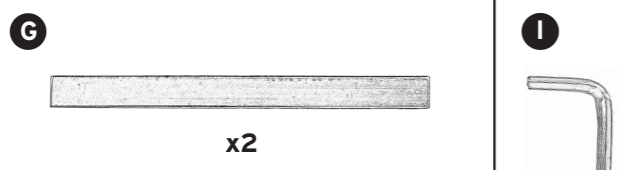
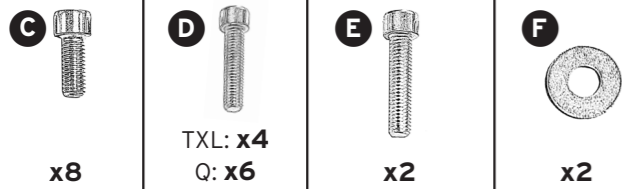
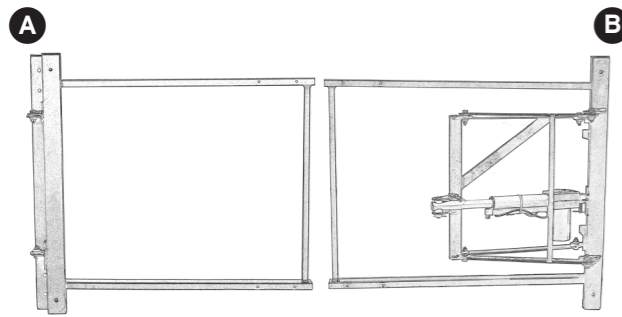


## Included



## Warning

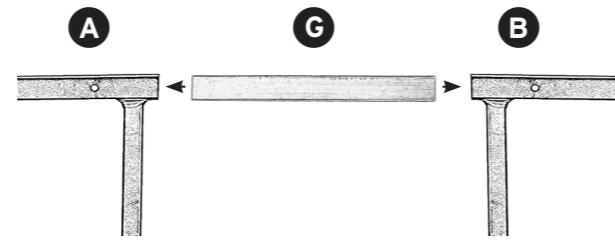
**IMPORTANT:** Do not lean base against legs when turning over.

**WARNING:** Failure to properly route wires may cause permanent damage to cord and or damage to control box. Failure to route cords properly can void warranty.

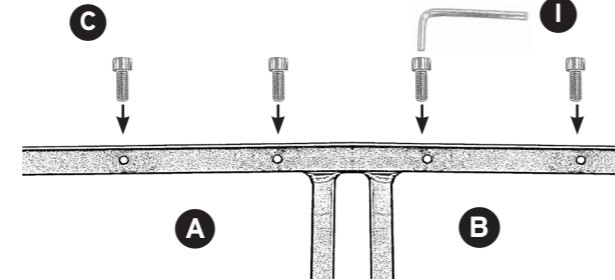
**NOTE:** If using a 3-in-1 leg system, a minimum of (2) leg section must be used.

For more detailed instructions, please visit [www.glideaway.com/comfortbase/userguide](http://www.glideaway.com/comfortbase/userguide)

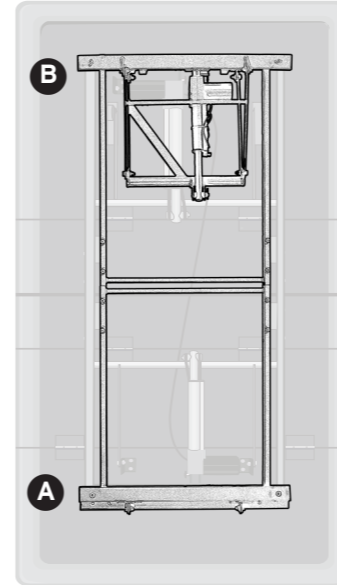
**1** Insert **G** into both side tubes of **A** and **B** as shown



**2** Install as shown and tighten **C** with **I**

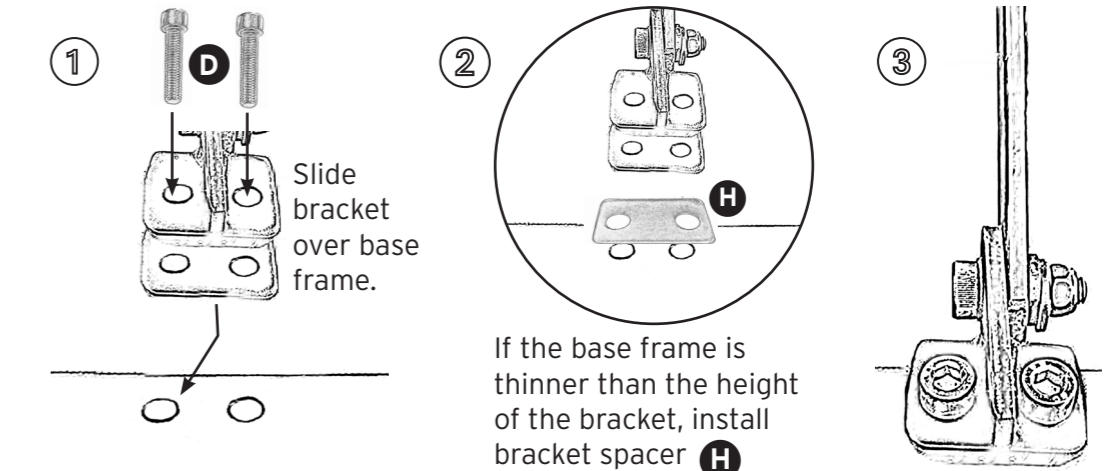


**3** Unscrew and remove legs from Comfort Base.

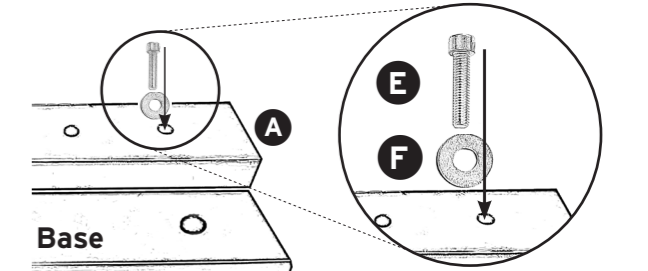


Align **B** with the head section of the base. Align **A** with the foot section of the base.

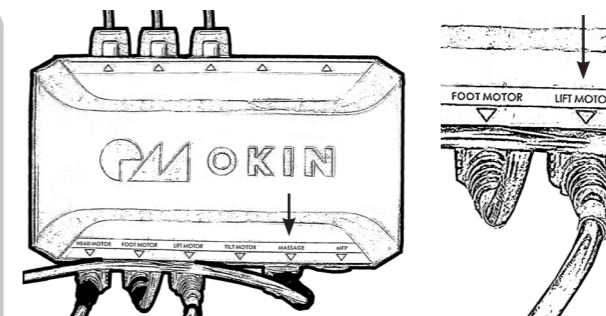
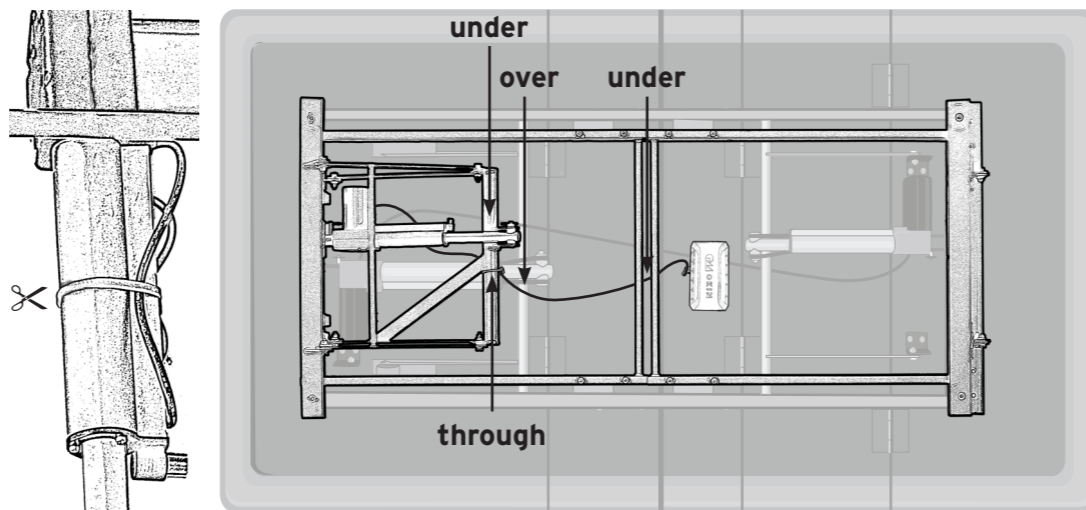
**4** Install **B** on to Comfort Base with **D**. Note: Queen size requires installation of middle brackets.



**5** Position **A** so that one hole on each side is aligned with the existing leg holes on the base. Secure **A** to base with **E** and **F** and tighten.



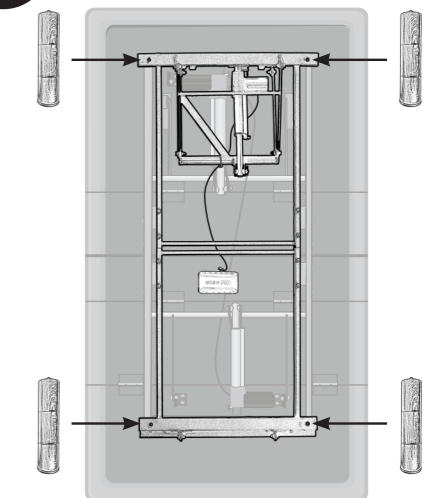
**6** Cut yellow wire tie to release motor cable. Route the green motor cable as shown to prevent damage during operation. Plug motor cable into control box port labeled "Lift Motor".



Route motor cable **under** pivot tube, **through** black plastic wire tie, **over** stabilizer bar, **over** the base's cross bar, and **under** the kit's double cross bars. Insert green motor plug into control box port labeled "LIFT MOTOR".

**WARNING:** Failure to properly route wires may cause permanent damage to cord and or damage to control box. Failure to route cords properly can void warranty.

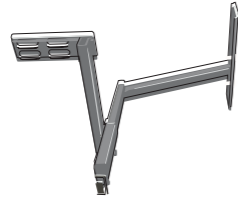
**7** Reinstall LEGS



**NOTE:** If using a 3-in-1 leg system, a minimum of (2) leg sections must be used.

## Available Accessories

To Order: 1-800-428-5222



Headboard Bracket Kit

## Online Resources

### GENERAL INQUIRIES

[glideaway.com/comfortbase/general](http://glideaway.com/comfortbase/general)

### TECHNICAL ASSISTANCE

Call 1-855-581-3095 or visit [glideaway.com/comfortbase/assistance](http://glideaway.com/comfortbase/assistance)

### WARRANTY

[glideaway.com/comfortbase/warranty](http://glideaway.com/comfortbase/warranty)

### TROUBLESHOOTING

[glideaway.com/comfortbase/troubleshooting](http://glideaway.com/comfortbase/troubleshooting)

### TRANSLATIONS

For Spanish and French translations, visit [glideaway.com/comfortbase/userguide](http://glideaway.com/comfortbase/userguide)

## Contact Us

### CUSTOMER SERVICE

1 - 800 - 581 - 3095

### VISIT US ONLINE

[www.glideaway.com](http://www.glideaway.com)

### FIND US ON SOCIAL MEDIA



## Safety Information

### ATTENTION!

IMPORTANT SAFETY INSTRUCTIONS. SAVE THIS MANUAL! PLEASE READ THESE INSTRUCTIONS THOROUGHLY BEFORE USING THIS PRODUCT. PROPER OPERATION OF YOUR ADJUSTABLE BED IS NECESSARY TO ENSURE THE LONG LIFE AND DURABILITY YOU EXPECT FROM A HIGH-QUALITY PRODUCT. THE MANUFACTURER HAS TESTED AND INSPECTED THIS PRODUCT PRIOR TO SHIPMENT.

### ELECTRICAL SAFETY

Always unplug this adjustable bed frame from the electrical outlet before any cleaning or maintenance of the bed frame. To safely disconnect, remove the plug from the outlet. Keep cord away from heated surfaces. Use only indoors.

WARNING: TO PREVENT FIRE OR SHOCK HAZARD, DO NOT EXPOSE THIS UNIT TO MOISTURE.

Discontinue use of this adjustable bed base and contact the manufacturer for repair if: (1) it has a damaged cord or plug, (2) it is not working properly, (3) it has been dropped or damaged. FOR OPTIMAL SAFETY, YOUR ADJUSTABLE BED SHOULD BE PLUGGED INTO A SURGE PROTECTOR (not supplied with this adjustable bed).

### WARRANTY WARNING

This bed is specifically designed to require no maintenance by you, the user. Any opening or tampering with the control box, motors or hand controls (with the exception of the battery compartment, if equipped) will void the warranty. Do not attempt to alter component wiring or adjust or modify the structure of the product in any way or the warranty will be void. Only those authorized may conduct repairs or part replacement on your adjustable bed.

### IN-HOME USE ONLY

This adjustable bed is designed exclusively for in-home use.

### HOSPITAL/MEDICAL DISCLAIMER

This base is NOT designed for hospital or medical use (In-Home or Commercial) and is NOT designed to meet medical or hospital standards. Do not use this base with TENT TYPE oxygen therapy equipment or use near explosive gases.

### CONSUMERS WITH PACEMAKERS

It is possible that the vibrating feature of this bed may be interpreted falsely by some pacemakers as movement and/or exercise. This is common with any product that produces a vibrating motion, and may or may not affect your pacemaker. Please consult your physician with any concerns.

### PRODUCT RATINGS

Lift Motor Restrictions: The lift motors in this bed are NOT designed to operate continuously for more than one (1) minute over an eight (8) minute time period, or approximately 12% duty cycle. To ensure reliable functionality and full life of this product, do not attempt to exceed these limits. NOTE: Attempting to circumvent or exceed this rating will shorten the life expectancy of the product and may void the warranty.

Weight Restrictions: The recommended weight limits on our adjustable beds are:

Queen: 650 lb Full/XL: 500 lb Twin/XL: 400 lb (800 lb if using two twins as a King) 1/pc King: 800 lbs

The structure of the bed will support the recommended weight when distributed evenly across the bed.

The head and foot sections are not designed to individually support or lift this amount of weight.

For optimal performance and integrity of structure, entering and exiting the adjustable bed with the bed in the flat position is recommended. NOTE: Exceeding the recommended weight restrictions could damage your adjustable bed and void your warranty.

### SMALL CHILDREN AND PETS WARNING

Immediately dispose of all packing materials as they can pose a smothering risk to small children and pets. Injury could occur also if children or pets are permitted to play on or under the bed. Do not allow children to operate this bed without adult supervision.

### LUBRICATION AND CLEANING

This product is designed to be maintenance free. The lift motors are permanently lubricated and sealed—no additional lubrication is required. Do not apply lubricant to lift motor lead screws or any nylon nuts or the base may inadvertently creep downward from the elevated position.

### LIFT WARNING

DO NOT SIT ON THE HEAD OR FOOT SECTIONS WHILE IN THE RAISED POSITION, OR DURING LIFT OR LOWERING CYCLES.

### LOCATION ENVIRONMENT

The level of sound experienced during operation is directly related to the location environment. For example, when a base is located on a hardwood floor with the vibrate feature in operation, a vibrating tone will be audible. To minimize this resonance, place a piece of carpet under each leg of the base.

It is possible to experience vibration or noise from the headboard brackets, headboards or foot boards if mounting bolts are not firmly tightened.

### MOVING AFTER INSTALLATION

Do not place adjustable bed base vertically on its head or foot sections. This may cause injury to persons or damage to base.

### WARNINGS

To reduce the risk of burns, fire, electric shock, or injury to persons:

- Unplug from outlet before putting on or taking off accessories.
- Close supervision is necessary when this base is used by, or near children, invalids, disabled persons, or pets.
- Use this base only for its intended use as described in these instructions. Do not use attachments not recommended by the manufacturer.
- Never operate this base if it has a damaged cord or plug, is not working properly, has been dropped or damaged, or dropped in water.
- Keep the cord away from heated surfaces.
- Never drop or insert any object into any opening.
- Do not use outdoors.
- Do not operate where aerosol (spray) products are being used or where oxygen is being administered.
- To disconnect, remove plug from outlet.
- DO NOT USE NEAR PEOPLE USING OR WEARING MEDICAL DEVICES. FOR HOUSEHOLD/RESIDENTIAL USE ONLY.



Comfort Base<sup>®</sup>

## ELEVATION KIT