

# BLOC L1 L2 L3

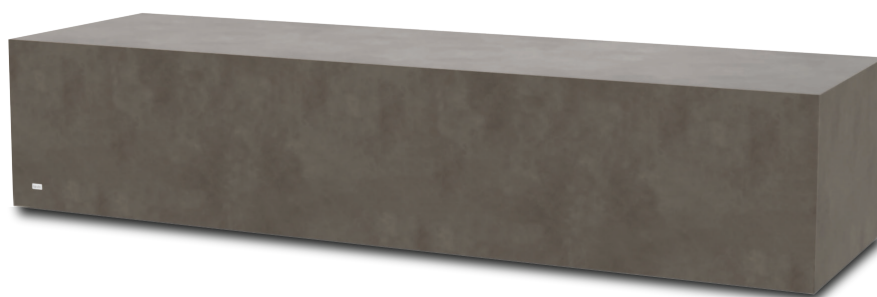
TABLES



^ Low Tables  
BLOC L1 (*left*)  
BLOC L3 (*middle*)  
BLOC L2 (*right*)

# BLOC L3

## TABLES



Natural

BLINDE DESIGN'S RECTANGULAR CONCRETE TABLE MODELS MAKE A BOLD AND MODERN STATEMENT IN ANY OF TODAY'S OUTDOOR - AND INDOOR - LIVING AND ENTERTAINING SPACES. WITH THREE MODELS - L1, L2 AND L3 - IN DIFFERENT SIZES, VERSATILITY IS KEYNOTE.

POSITION THEM ALONGSIDE A WALL, USE THEM TO DIVIDE A SPACE, OR PLACE THEM IN FRONT OF A SOFA, THEY ENSURE THE PERFECT SETTING - ESPECIALLY WHEN PAIRED WITH BLINDE DESIGN MODULAR SOFAS OR CHAIRS. MADE FROM FLUID™ CONCRETE, THEY'RE BUILT FOR HIGH PERFORMANCE IN ALL WEATHER CONDITIONS.

### BLOC L3 BLD.1.T.BLC.L3

#### Dimensions

L 1700mm [67"]  
W 500mm [19.7"]  
H 370mm [14.5"]

#### Weight

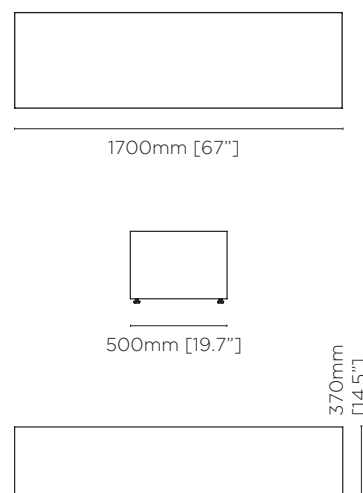
66kg / 145.2lbs

#### Material

Fluid™ Concrete Technology

#### Colours

Graphite, Natural and Bone



# BLOC L2

# BLOC L1

TABLES



Graphite



Bone

## BLOC L2 BLD.1.T.BLC.L2

**Dimensions**  
L 1200mm [47"]  
W 400mm [15.7"]  
H 320mm [12.6"]

**Weight**  
33kg / 72.6lbs

**Material**  
Fluid™ Concrete Technology

**Colours**  
Graphite, Natural, Bone



1200mm [47"]



400mm [15.7"]



320mm  
[12.6"]

## BLOC L1 BLD.1.T.BLC.L1

**Dimensions**  
L 1000mm [39.4"]  
W 400mm [15.7"]  
H 270mm [10.7"]

**Weight**  
25.5kg / 56.1lbs

**Material**  
Fluid™ Concrete Technology

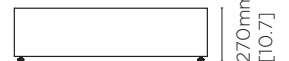
**Colours**  
Graphite, Natural and Bone



1000mm [39.4"]



400mm [15.7"]



270mm  
[10.7"]