



Diaphragm Valve TS5622VU-DVD

The TS5622VU-DVD Diaphragm Valves is designed to dispense low to medium viscosity fluids with precision accuracy over a wide range of shot and bead sizes, down to a fraction of a micro liter.

An internal spring return makes the valves fully adaptable for use with Techcon Systems controllers. A short opening stroke provides extremely fast, positive shut-off. An external stroke control adjustment makes it easy for the operator to fine tune shot sizes. The compact design allows for mounting flexibility and easy integration into automated applications.

The seal-less valve design features excellent moisture sensitive resistance and the incorporated UHMWPE (Ultra High Molecular Weight Polyethylene) diaphragm creates a barrier between the wetted parts and the air cylinder. The stainless steel fluid housing, with an optimised fluid path, is compatible with a variety of chemicals, especially UV cure adhesives, resins and lacquers used in the manufacture of DVDs and CDs.

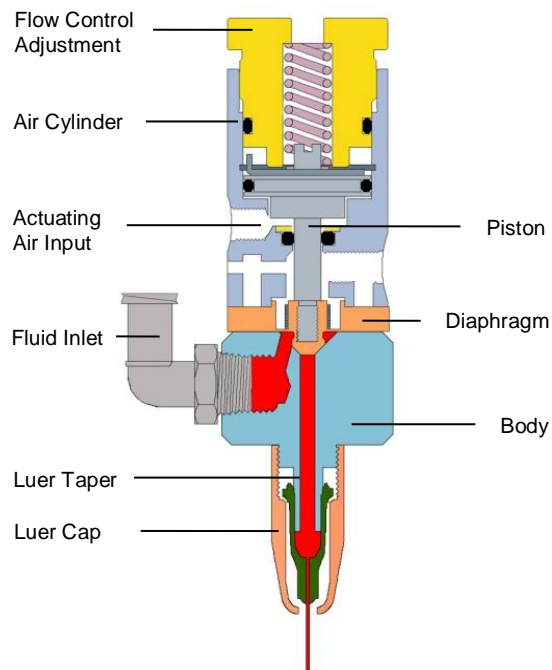
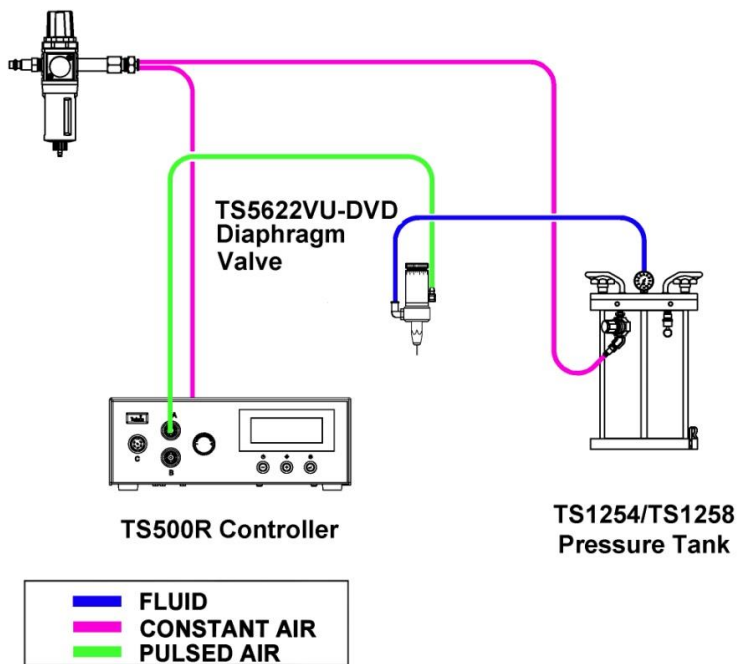
Key Features & Benefits

- Optimized fluid path
- Compact size and weight
- Excellent moisture sensitive resistance
- Luer taper and cap for easy tip integration

Typical Applications

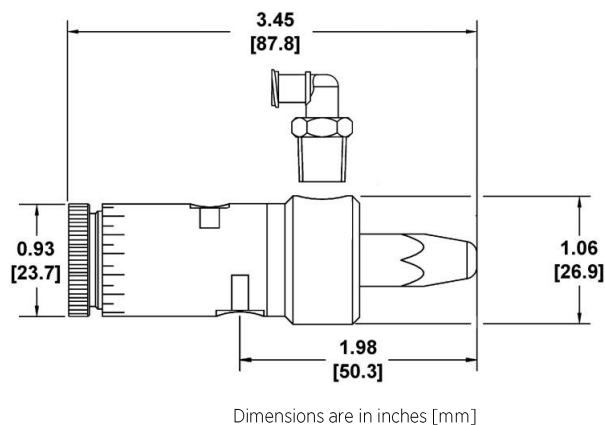
- Dispensing UV adhesive in medical device bonding
- Dispensing a controlled amount of UV fluid in badge doming
- Applying a of UV lacquer in CD/DVD spin coating applications

TYPICAL SETUP



SPECIFICATIONS & PART NUMBERS

	TS5440
Size (Imperial):	3.45" Length x 1.06"
Size (Metric):	87.8mm x 26.9mm
Weight:	0.26 lb (120g)
Fluid Inlet Port:	1/8" NPT female
Fluid Outlet Port:	Luer taper and cap
Aux Air Inlet Port:	10-32 UNF female
Activation Pressure:	70 psi - 90 psi (4.8bar - 6.2bar)
Max Fluid Pressure:	70 psi (4.8bar)
Operating Frequency:	500+ cycles/min.
Mounting Port:	10-32 UNF female
Viscosity Range:	1 - 50 000cps
Wetted Parts:	303 SS, UHMWPE (UHMWPE = Ultra High Molecular Weight Polyethylene)



The valve is shipped with the following items:

- Mounting bracket kit
- Valve air hose
- Luer lock fluid line
- Fluid inlet fittings - 1/4" compression and Luer lock type
- Dispensing tip selection pack

ACCESSORIES

- **Fluid reservoirs:** The valve can be fed from the TS1254 or TS1258 Pressure Tank, or from any size syringe barrel or cartridge.
- **Dispensing Tips:** Precision TE Series dispensing tips are required for this valve type. For the complete dispensing tip offering please visit www.techconsystems.com