



Smart Spray Valves Controller TS560R

The TS560R is a Smart spray valve controller capable of controlling all Techcon TS5520 series and TS5540 series spray valves. With a universal power supply, it is a fully 'plug and play' system and can be used immediately, anywhere in the world.

The TS560R features an intuitive touch screen interface for easy setup and operation. Dispensing parameters can be precisely configured directly on the touch screen or remotely through the networking options.

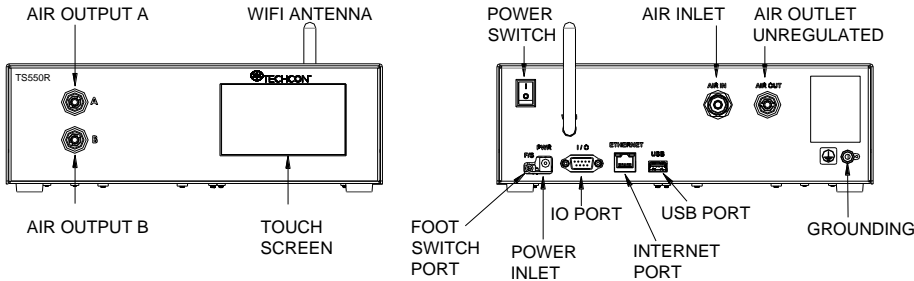
First in its class, the TS560R is equipped with Ethernet and WiFi interfaces to allow users to configure the exact parameters and monitor and control the process from anywhere in the world. This feature complies with Smart Factory requirements of Industry 4.0.

Additional advanced features include digital timer to provide accurate and repeatable spray time, and digital pressure regulator with dual-unit display to allow precise pressure control.

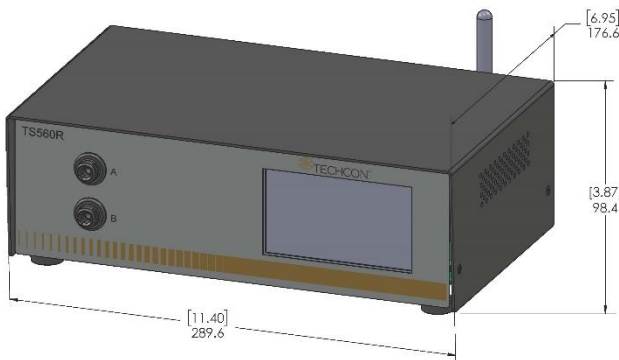
The friendly user interface provides an option to program up to 50 varied, sequenced or individual shots. These systems have a user programmable "purge", "timed" dispense cycle settings and a "teach mode" for determining the dispensing time.

Integration into semi-automatic and automatic machinery is made easy with the I/O interface connector that can be used to initiate and stop the dispense cycle with feedback to the host machine for the next cycle. A low-pressure warning feature is also included to help maintain uninterrupted dispensing.

IDENTIFICATION OF FEATURES



SPECIFICATIONS & PART NUMBERS



Part Number:	TS560R
Size (Imperial):	11.4" W x 8.3" L x 3.9" H
Size (Metric):	290mm x 211mm x 99mm
Weight:	6.8 lb (3100g)
Pressure Range:	0 to 100psi (0-6.9 bar)
Display:	Touch Screen
Timing Range:	0.008 – 99.9 seconds
Timing Tolerance:	+/- 0.001%
Input Voltage:	100 – 240 VAC
Cycle Rate:	900/min.
Cycle Modes:	Timed, Interrupt, Teach, Purge
Connectivity:	Ethernet, WIFI
Certification:	CE, TUV-GS

The controller is shipped with the following items:

- Universal power supply
- Foot switch
- Air hose
- Air filter

ACCESSORIES

- Fluid reservoirs: The controller can be used in combination with the TS1254 or TS1258 Pressure Tank
- Dispensing Tips: Suitable for use with all tip series. For the complete dispensing tip offering please visit www.techcon.com

Key Features & Benefits

- Touch Screen interface for easy setup and operation
- Industry 4.0 for “Smart Factory” integration
- Universal power supply for worldwide use
- Digital pressure regulator for precise control

Typical Applications

Control spray valve for:

- Conformal coating application
- Lubrication application
- Marking application