



Precision Spray Valve TS5540 Series

The TS5540 Series Spray Valve is designed for precise spray applications of low viscosity fluids.

An external stroke control makes it easy for the operator to fine-tune fluid flow. Total control of the spray cycle is provided by adjustable fluid flow and precise control of pre-spray, atomizing air and post spray with the TS500R Multi-Purpose Digital Controller. Downtime is virtually eliminated with only one seal to replace during normal maintenance.

The TS5540 Series Spray Valves comes with FDA-Compliant 303 stainless steel construction in both air cylinder and fluid housing. A field replaceable Delrin® seat provides positive shut off and very long life cycles. The compact design allows for easy integration into automated applications.

Two nozzle types are made available, cone (R) for round spray patterns and fan (F) for elliptical spray patterns. Both versions are available in 3 nozzle orifice sizes.

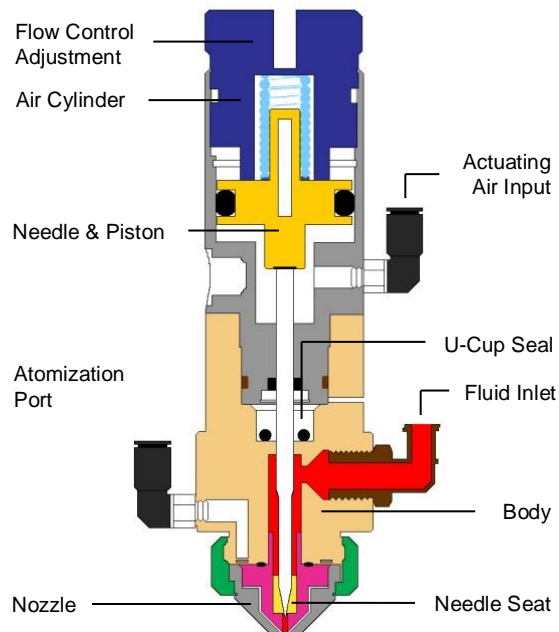
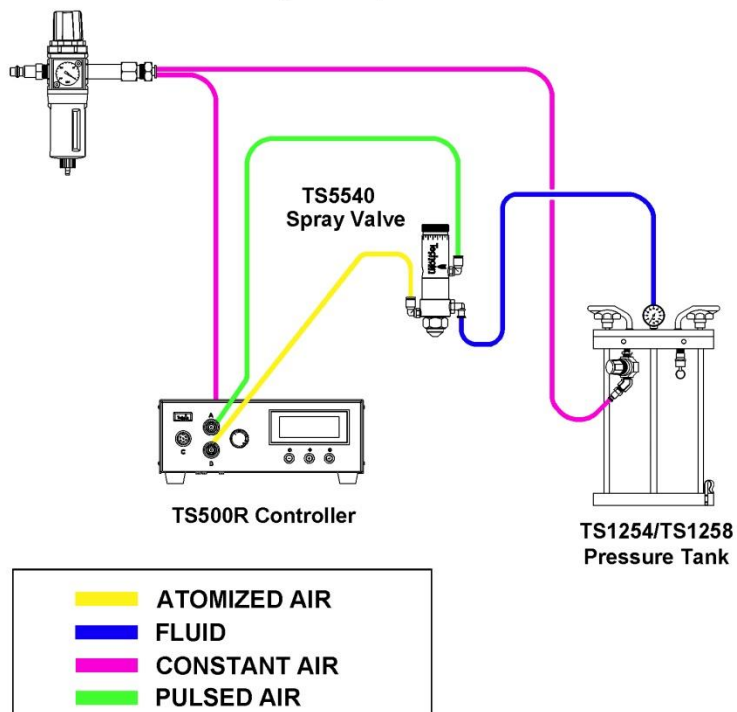
Key Features & Benefits

- No overspray
- Long life cycles
- Uniform spray pattern
- Round or elliptical spray pattern

Typical Applications

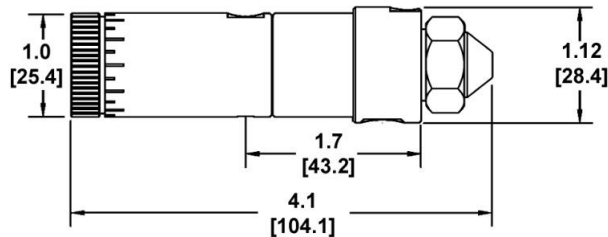
- Spraying Conformal Coating onto PCBA's
- Spraying oil for lubrication purposes
- Spraying ink to indicate Pass or Fail

TYPICAL SETUP



SPECIFICATIONS & PART NUMBERS

| | TS5440 |
|----------------------|-------------------------------|
| Size: | See drawing |
| Fluid Inlet Port: | 1/8" NPT female |
| Fluid Outlet Port: | Spray cap |
| Aux Air Inlet Port: | 10-32 UNF female |
| Activation Pressure: | 70 psi (4.8bar) Min. |
| Max Fluid Pressure: | 100 psi (6.9bar) |
| Operating Frequency: | 400+ cycles/min. |
| Mounting Port: | 1/4-20 UNC-2B female |
| Viscosity Range: | 1 - 5 000cps |
| Wetted Parts: | 303 SS, Teflon®, Delrin®, EPR |



Dimensions are in inches [mm]

ACCESSORIES

- **Fluid reservoirs:** The valve can be fed from the TS1254 or TS1258 Pressure Tank, or from any size syringe barrel or cartridge.

Teflon® is a registered trademark of E.I. DuPont. Version 2.00

| Part Number | Nozzle Orifice | Min Ø Spray Pattern | Pattern |
|-------------|----------------|---------------------|---------|
| TS5540-014R | 0.014"/0.36mm | 0.17"/4.32mm | ● |
| TS5540-028R | 0.028"/0.71mm | 0.20"/5.08mm | ● |
| TS5540-046R | 0.046"/1.17mm | 0.25"/6.35mm | ● |
| TS5540-014F | 0.014"/0.36mm | 0.50"/12.70mm | ● |
| TS5540-028F | 0.028"/0.71mm | 0.65"/16.51mm | ● |
| TS5540-046F | 0.046"/1.17mm | 1.00"/24.40mm | ● |

NOTE: Above data is with water and nozzle is at 1" (25.4mm) substrate distance

The valve is shipped with the following items:

- Mounting bracket kit
- Valve air hoses
- Luer lock fluid line
- Fluid inlet fittings - 1/4" compression and Luer lock type