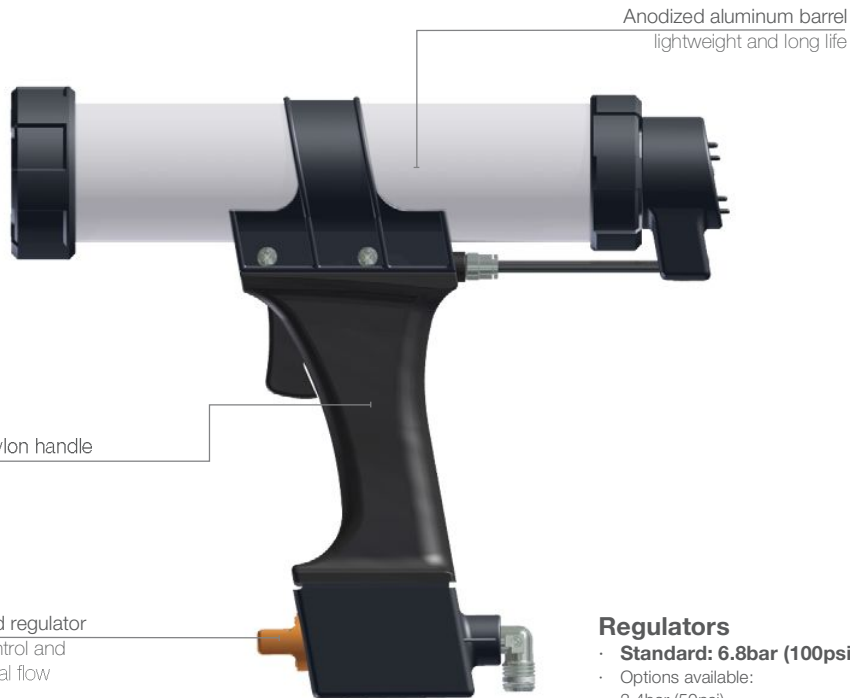


# COX™ 1-Component Dispenser

## AirFlow™ 2 Cartridge

A 1-component pneumatic bead dispenser for 310/400mL cartridges.



### Regulators

- **Standard: 6.8bar (100psi)** ●
- Options available:
  - 3.4bar (50psi) ●
  - 5.2bar (75psi) ●
  - 8.5bar (125psi) ○

Model shown: AirFlow 2 Cartridge 310mL

### Product advantages

- Variable speed regulator for precise control and smooth material flow
- Glass filled nylon handle, ergonomically designed for comfort
- Anodized aluminum barrel, lightweight and long life
- Fitted as standard with a 6.8bar (100psi) regulator (others available)

### Customer benefits

- Swivel hose connector
- Integrated handle with pressure regulator
- Direct acting mechanism – air pressure applied direct to plunger

### Applications



### Product by range



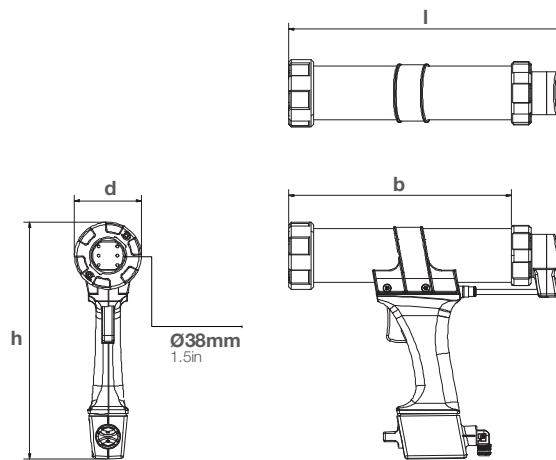
The **COX AirFlow 2 Cartridge** is part of a range of pneumatic dispensers designed for use with low viscosity sealants and adhesives.

### Specifications

- Weight: 0.73-0.81kg / 1.6-1.7lbs
- Frame Length: 228mm-267mm / 9.0in-10.5in
- Maximum Thrust: 1.2kN
- Maximum Pneumatic Pressure: 6.8bar (100psi)
- Handle Material: Glass Filled Nylon
- Barrel Material: Anodized Aluminum
- Tool Component Approvals: CE, REACH
- Cartridge Capacity: 310mL (10.5oz), 400mL (13.5oz)
- Standard Color: Black/Grey
- Nozzle Dimension:  $\varnothing$ 38mm / 1.5in
- Customized versions on demand

### Dimensions (mm/in)

product	height (h)	length (l)	depth (d)	barrel (b)
<b>Cartridge 310</b>	242 /9.5	282 /11.1	69 /2.7	228 /9.0
<b>Cartridge 400</b>	242 /9.5	322 /12.7	69 /2.7	267 /10.5



Part number:	Article number:	Packaging:
Cartridge 310	BH1001 (61001 for US)	1/5/10 per Box (1 per Box for US)
Cartridge 400	BH1503	1/5/10 per Box

### Matching MIXPAC™ cartridges

### Compatible cartridges



310mL Plastic Cartridge



400mL Plastic Cartridge

	mm	inch		mm	inch
a	215.0	8.46	a	250.0	9.84
b	$\varnothing$ 50.0	$\varnothing$ 1.97	b	$\varnothing$ 50.0	$\varnothing$ 1.97

Produktdatenblatt /  
Product Data Sheet



ADHESIVES AND DISPENSING EQUIPMENT MADE SIMPLE

Cardboard cartridges should not be used with the AirFlow 2 Cartridge.

### Conversion kits

### Matching accessories

On pages 90-95.