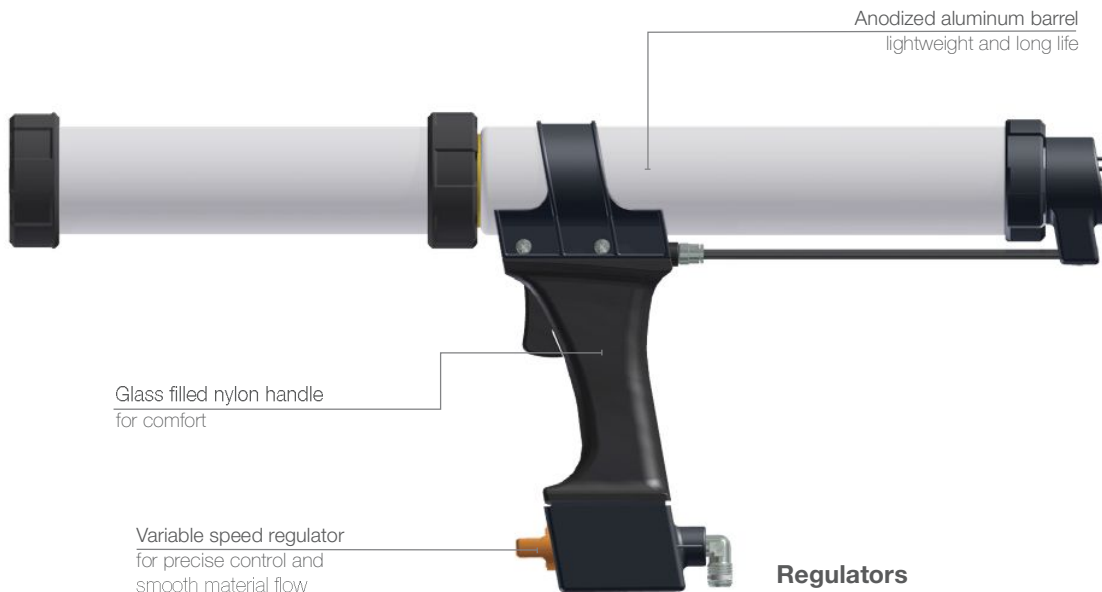


# COX™ 1-Component Dispenser

## AirFlow™ 2 Combi

A 1-component pneumatic bead dispenser for 310/400mL cartridges and 310/400/600mL sachets.



### Regulators

- **Standard: 6.8bar (100psi)** ●
- Options available:
  - 3.4bar (50psi) ●
  - 5.2bar (75psi) ●
  - 8.5bar (125psi) ○

Model shown: AirFlow 2 Combi 310mL

### Product advantages

- Variable speed regulator for precise control and smooth material flow
- Glass filled nylon handle, ergonomically designed for comfort
- Anodized aluminum barrel, lightweight and long life
- Fitted as standard with a 6.8bar (100psi) regulator (others available)

### Customer benefits

- Integrated handle with quick adjust pressure regulator
- Quick exhaust valve minimizes flow-on
- Rod driven plunger

### Applications



### Product by range



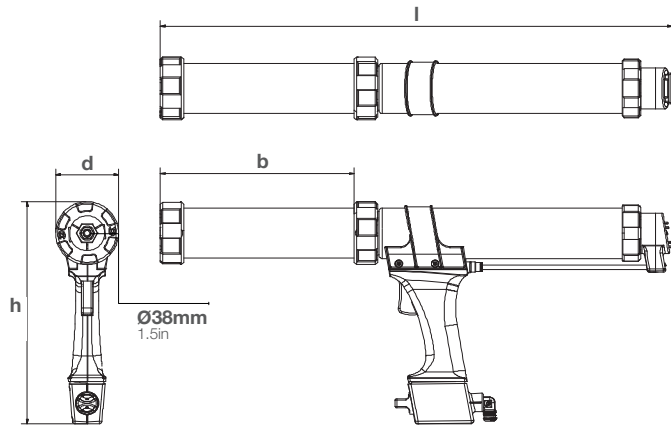
The **COX AirFlow 2 Combi** is part of a range of pneumatic dispensers designed for use with low viscosity sealants and adhesives.

### Specifications

- Weight: 1.3-1.64kg / 2.8-3.6lbs
- Frame Length: 211mm-357mm / 8.3in-14.1in
- Maximum Thrust: 1.45kN
- Maximum Pneumatic Pressure: 6.8bar (100psi)
- Handle Material: Glass Filled Nylon
- Barrel Material: Epoxy Coated Aluminum
- Tool Component Approvals: CE, REACH
- Cartridge Capacity: 310mL (10.5oz), 400mL (13.5oz)
- Sachet Capacity: 310mL (10.5oz), 400mL (13.5oz), 600mL (20.3oz)
- Standard Color: Black/Grey
- Nozzle Dimension:  $\varnothing 38\text{mm}$  / 1.5in
- Customized versions on demand

### Dimensions (mm/in)

product	height (h)	length (l)	depth (d)	barrel (b)
<b>Combi 310</b>	242 /9.5	557 /21.9	69 /2.7	211 /8.3
<b>Combi 400</b>	242 /9.5	633 /24.9	69 /2.7	249 /9.8
<b>Combi 600</b>	242 /9.5	849 /33.4	69 /2.7	357 /14.1



Sulzer | 1-Component COX Dispenser | 69

#### Part number:

Combi 310  
Combi 400  
Combi 600

#### Article number:

BK1001 (61004-LP for US)  
BK1401  
BK1602

#### Packaging:

1/5/10 per Box (1 per Box for US)  
1/5/10 per Box  
1/5/10 per Box



### Matching MIXPAC™ cartridges

-

### Compatible cartridges and sachets



310mL Plastic Cartridge

	mm	inch
a	215.0	8.46
b	$\varnothing 50.0$	$\varnothing 1.97$



310mL Sachet

	mm	inch
a	220.0	8.66
b	$\varnothing 50.0$	$\varnothing 1.97$



400mL Plastic Cartridge

	mm	inch
a	250.0	9.84
b	$\varnothing 50.0$	$\varnothing 1.97$



400mL Sachet

	mm	inch
a	258.0	10.16
b	$\varnothing 50.0$	$\varnothing 1.97$



600mL Sachet

	mm	inch
a	335.0	13.19
b	$\varnothing 50.0$	$\varnothing 1.97$

### Conversion kits

-

### Matching accessories

On pages 90-95.