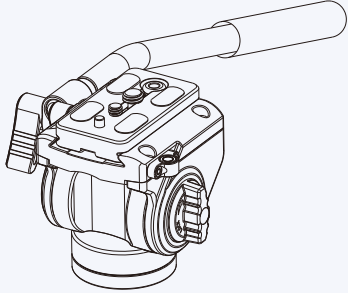




Professional Photographic Equipment

# INSTRUCTIONS

## VA-5 Professional Fluid Video Head



Zhongshan SIRUI Photographic Equipment Industry CO.,Ltd

Address: The Third Industrial District, Wuguishan Town, Zhongshan City, Guangdong, China  
E-mail: info@sirui-photo.com http://www.sirui-photo.com http://www.zs-sirui.com  
Tel: 0086-760-88997373 Fax: 0086-760-88207062 P.C: 528458  
Service Hotline: 0086-400-8302299

### Know Your Video Head

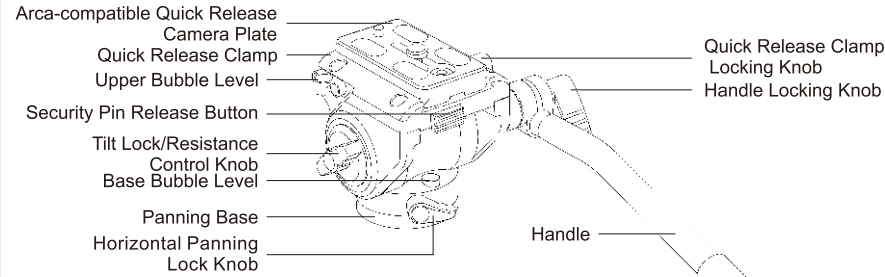


Figure 1

### Attaching and removing the head

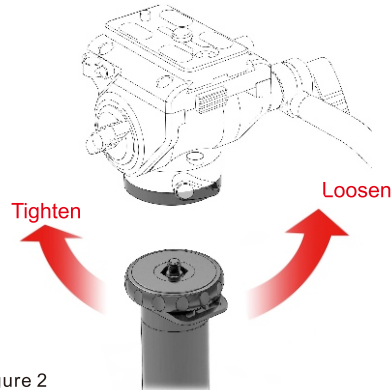


Figure 2

### Attaching or removing the Quick Release Plate from the head

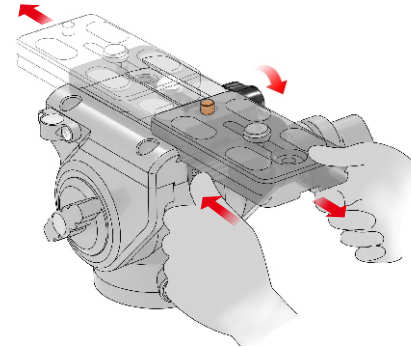


Figure 3

### Attaching or removing the Quick Release Plate from the camera or video camera

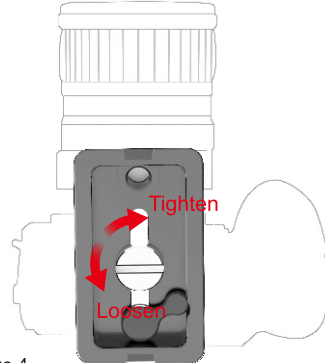


Figure 4

### Attaching the camera or video camera onto the head

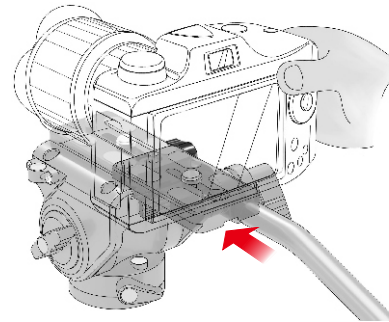


Figure 5

### Precautions:

- ① When attaching the camera or video camera onto the video head, please hold the camera or video camera securely, to prevent accidentally dropping your equipment.
- ② When attaching the video head onto the tripod, please hold the video head securely, to prevent accidentally dropping the head.
- ③ Temperature usage range: -20°C ~ 60°C (-4°F ~ 140°F).
- ④ Tilt angle of the head: -60° ~ +90° .
- ⑤ When the balance is set, if you attach additional accessories, you will need to re-adjust the horizontal balance.

### 1. Know Your Video Head

### 2. Attaching the video head

- ① To attach the video head onto the tripod, you must make sure the mounting screw of your tripod is 3/8". If it is 1/4" you will need to get a 3/8" screw or adapter. Many professional tripods have reversible mounting screws. Please check your tripod manual for more details.
- ② Tighten the Horizontal Panning Lock Knob, to lock the head and prevent it from turning. As shown in Figure 2, align the 3/8" mounting hole at the bottom of the Video Head with the 3/8" screw on the tripod. Hold by the base of the Video Head and rotate the Video Head in a clockwise direction until it is locked tightly.

### 3. Removing the Quick Release Plate from the head

As shown in Figure 3, loosen the Quick Release Plate Locking Knob in a counter-clockwise direction, press the Security Pin Release Button. Then you can remove the Quick Release Plate from the clamp by moving it forwards or backwards.

### 4. Attaching the Quick Release Plate onto the Camera

As shown in Figure 4, attach the 1/4" or 3/8" screw into the tripod socket of the camera by turning in a clockwise direction. To remove the tripod screw that is not required, before attaching the QR plate onto the camera, pull out the rubber plug on the bottom of the QR plate and slide out the screw. Replace the rubber plug to prevent loss of the remaining screw.

### 5. Attaching the Camera with QR Plate onto the head

As shown in Figure 5, (after you have loosened the QR Plate Locking Knob by turning it counter-clockwise), slide the QR Plate laterally into the Quick Release Clamp and tighten the clamp by turning clockwise. You can slide the QR Plate into the clamp from either side.

Caution: Before you release your camera, please make sure the QR Plate is properly seated in the Quick Release Clamp and the Quick Release Locking Knob is tightened.

### VA-5 Data Chart

Specifications	mm	300×120×83
Weight	Kg/lb	0.6/1.32
Maximum Load	Kg/lb	3/6.61
Counterbalanced Weight	Kg/lb	1/2.2

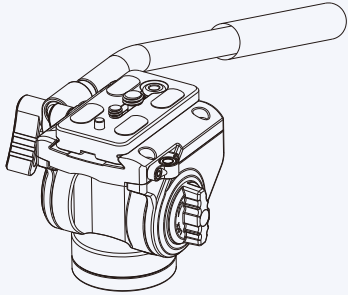




Professional Photographic Equipment

# INSTRUCTIONS

## VA-5 Professional Fluid Video Head



[www.sirui-photo.com](http://www.sirui-photo.com) / [www.zssirui.com](http://www.zssirui.com)

Service Hotline: 0086-400-8302299  
<http://www.sirui-photo.com> <http://www.zssirui.com>  
E-mail: [info@sirui-photo.com](mailto:info@sirui-photo.com)  
P.C: 528458  
Fax: 0086-760-88207062  
Tel: 0086-760-88897373  
Guangdong, China

Address: The Third Industrial District, Wuguisshan Town, Zhongshan City,  
Zhongshan SIRUI Photographic Equipment Industry CO., Ltd



### Adjusting the balance of the camera or video camera on the head

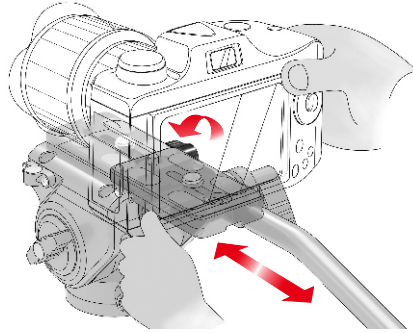


Figure 6

### Removing the camera or video camera from the head

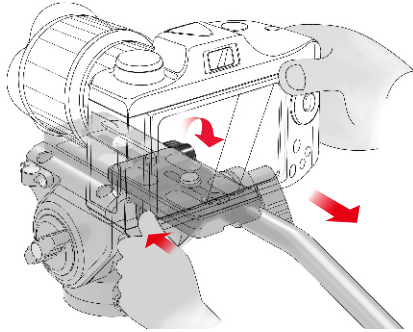


Figure 8

### 6. Balance adjustment on the head with camera attached

As shown in Figure 6, loosen the Quick Release Clamp Locking Knob, move the camera backwards or forwards until the bubble level on the clamp is centered and lock the Quick Release Clamp Locking Knob. Caution: Before you make the Balance Adjustment, please make sure the tripod is level by checking the bubble level on the panning base of the video head.

Note: You may need a longer QR Plate for bigger camera systems. SIRUI has a wide selection of Arca-compatible TY-Series Quick Release Plates to choose from.

### 7. Using the VA-5 when shooting videos

※ The VA-5 has a strong counter-balance system that provides up to 1kg (2.2 lb) of resistance. As shown in Figure 7, by turning the Tilt Lock/Resistance Control Knob you can control the amount of friction needed to make your camera and video camera securely stay at any tilt position without locking it into place.

※ Turn the Tilt Lock/Resistance Control Knob in a clockwise direction to increase resistance and to lock the head in position.

※ Turning the Horizontal Panning Lock Knob in a clockwise direction can lock the head in a position.

### Use of head during video shooting

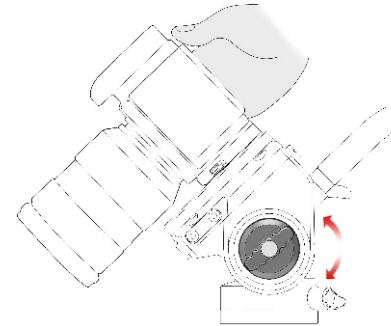


Figure 7

### Placing the head into the storage bag

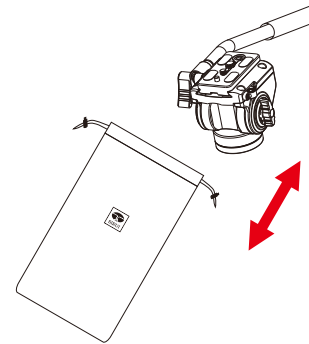


Figure 9

※ The video head can horizontally pan your camera or video camera 360° and tilt forward 90° and back 60°.

### 8. Removing the camera or video camera from the Video Head

As shown in Figure 8, loosen the Quick Release Clamp Locking Knob, press the Security Pin Release Button, then slide out the camera and QR plate. You can slide the QR Plate out of the clamp from either side.

### 9. Removing the QR plate from the Camera or Video Camera

As shown in Figure 4, loosen the screw in a counter-clockwise direction, and take off the QR plate.

### 10. Storing the QR plate on the Head

As shown in Figure 3, loosen the Quick Release Clamp Locking Knob by turning in a counter-clockwise direction, and slide the QR plate into the clamp. You can slide the QR Plate into the clamp from either side.

### 11. Removing the head from the tripod or monopod

As shown in Figure 2, tighten the Horizontal Panning Lock Knob, to lock the head and prevent it from turning, then turn the whole head in a counter-clockwise direction, until the head is removed from the tripod or monopod.

### 12. Placing the head into the storage bag

Please put the head of the VA-5 into the bag first, with the handle towards the pocket mouth. Tighten the bag fastener to close the opening and protect the head.