

KODAK Pocket Portable Projector



User Manual

3"H | 3"W | 0.8"D (8 cm | 8 cm | 2 cm)

Please read all directions before using the product and retain this guide for reference.

CONTENTS

1	INTRODUCTION	3
2	BOX CONTENTS	3
3	SAFETY PRECAUTIONS	3-4
4	FEATURES	4-5
5	SETUP	6-10
6	OPERATION	10-11
7	CARE AND MAINTENANCE	12
8	DISPOSAL	12
9	SPECIFICATIONS	12-13
10	CUSTOMER SERVICE	13
11	WARRANTY	13-15

1. INTRODUCTION

Thank you for purchasing the KODAK Pocket Portable Projector. This User Guide is intended to provide you with guidelines to ensure that operation of this product is safe and does not pose risk to the user. Any use that does not conform to the guidelines described in this User Guide may void the limited warranty.

Please read all directions before using the product and retain this guide for reference. This product is intended for household use only.

This product is covered by a limited one-year warranty. Coverage is subject to limits and exclusions. See warranty for details.

2. BOX CONTENTS

KODAK Pocket Portable Projector
HDMI® Cable
USB Cable
User Guide

3. SAFETY PRECAUTIONS

When Using the Projector

- Refer to this user guide and take note of all safety precautions before using your projector.
- Do not place the projector on uneven or unstable surfaces.
- Do not use the projector in any place where it may come into contact with smoke. The residue from smoke may cause build-up on critical parts of the projector, resulting in damage or decreased performance.
- Do not use damaged power cords, accessories, and other parts with your projector.
- Keep all parts out of reach of children.
- Do not block or place anything near the projector's ventilation holes. Doing so may cause internal heat build-up that can result in degraded picture quality and damage to the projector.
- Always ensure that the operating voltage of your projector matches the voltage of your power source.
- Do not store your projector in high temperatures, in direct sunlight, or any place where it may become wet or damp.
- Do not handle this product with wet or damp hands.
- Do not reach for the unit if it has fallen into water. Always unplug it first.
- Do not use this product in a place where it may fall.
- When using for the first time, ensure that the projector is plugged into a grounded wall socket.
- Never attempt to short-circuit the battery.
- Discontinue use if leakage is found.

When Servicing or Replacing Parts

- Never attempt to disassemble this product. There are no user serviceable parts.
- Do not attempt to remove or disassemble the battery. This will increase the risk of fire or chemical burns.
- Always take care that the replacement battery is the correct type. Risk of explosion.
- Only use the parts provided by the manufacturer.

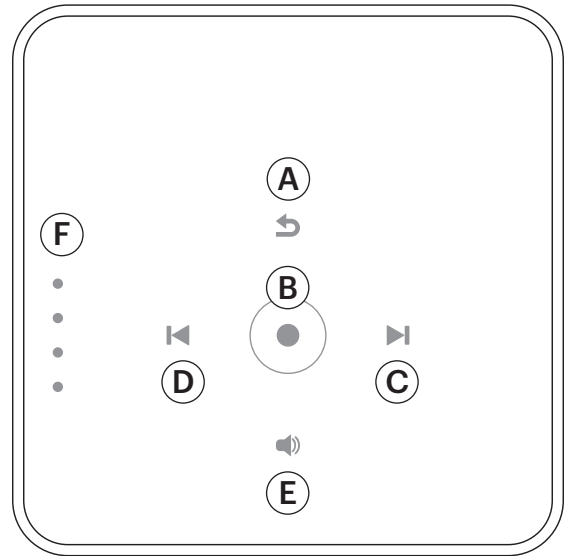
4. FEATURES

TOP VIEW

1. Control Panel Buttons

Use the control panel buttons to navigate the on screen menu. These buttons are also used to control specific projector settings as shown below.

- A. Back
- B. Confirm / Play / Pause
- C. Right / Fast-Forward / Volume+
- D. Left / Rewind / Volume-
- E. Volume
- F. Power Indicator



2. Power Indicator

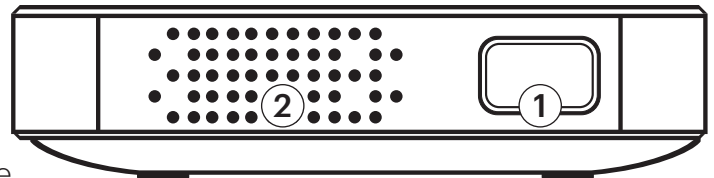
- A. The projector's current charge is shown by the 4 lights on the side of the control panel. When the projector is powered on, the lights will flash.
- B. Each light represents 25% charge, 1 light indicating low charge, and 4 lights indicating full charge.
- C. When charging, the next power level will blink on and off.
- D. To view the current charge, press the power button once.

FRONT VIEW

1. Lens

Projects the video or image files from your input device.

NOTE: Never touch the lens using your hands or any sharp object.



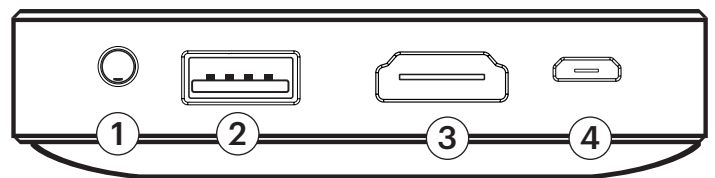
2. Speaker

Plays back the audio from the currently playing video.

REAR VIEW

1. Audio Output

This port allows you to connect an external speaker or headphones to the projector.



2. USB Input/Power Out

This port allows you to connect a USB flash drive or other external device to the projector. It also provides up to 5V/2A of voltage and current, allowing you to use the projector to charge a mobile device.

3. HDMI® Input

This port is used to connect the HDMI® (High-Definition Multimedia Interface) connector. It is compatible with HD DVD, Blu-Ray, and other protected content playback.

NOTE: If the USB and/or microSD™ inputs are used at the same time as the HDMI®, the HDMI® will take priority.

4. DC Input

This port is used to connect the power adapter (not included). It is used both to provide direct power to the projector and to charge the internal battery.

NOTE: the power adapter may become warm or hot while in use. Never cover or attempt to touch the adapter while it is connected to a power source.

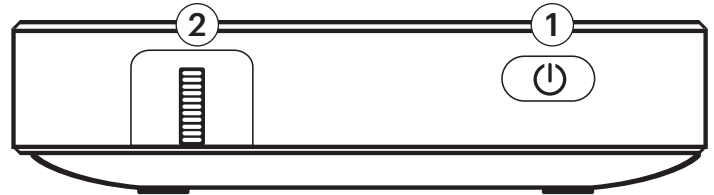
RIGHT SIDE

1. Power Button

Press and hold this button for 5 seconds to turn the projector on or off. Press this button once to view the current charge.

2. Focus Wheel

Turn the focus wheel to adjust the image focus of the projector.



LEFT SIDE

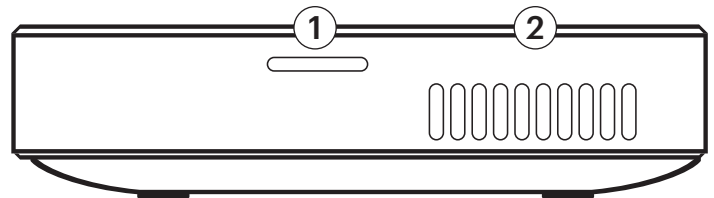
1. microSD™ Slot

This slot allows you to insert a microSD™ card, giving you access to your files directly from the projector.

2. Air Outlet Vent

When the projector is in use, warm air will exit from this vent.

NOTE: Always take care that the air vents are never blocked by paper, clothing, or any other obstruction. Blocking the vents may result in overheating of the projector.



BOTTOM VIEW

1. Air Inlet Vent

When the projector is in use, cool air will enter this vent.

NOTE: Always take care that the air vents are never blocked by paper, clothing, or any other obstruction. Blocking the vents may result in overheating of the projector.

2. Tripod Dock

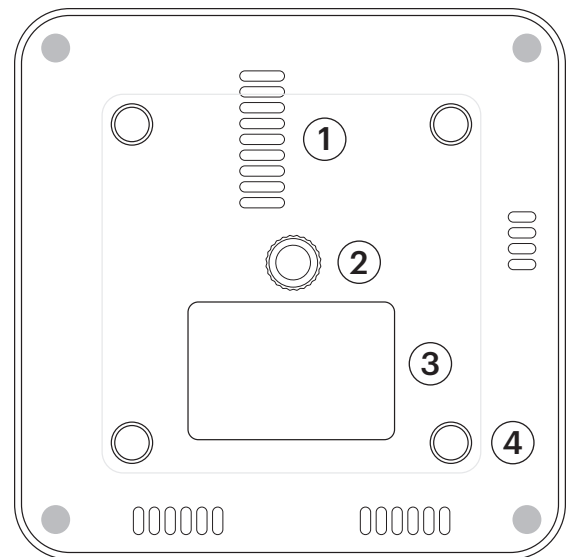
This dock allows the projector to be mounted onto a tripod.

3. Rating Label

The specifications of the projector can be found here.

4. Non-Slip Feet

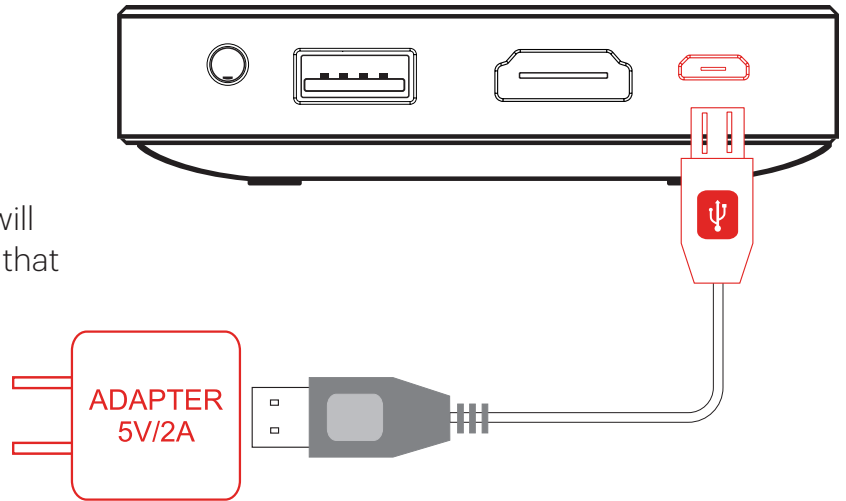
These rubber feet provide additional traction to the projector, allowing it to be more stable when on a surface.



5. SETUP

1. Charge the Projector

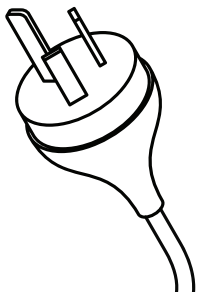
- Connect the adapter to the micro USB port of the projector, using the included power cord.
- Plug the adapter into an outlet or other power source.
- You may now use the projector.
- While plugged in, the projector's battery will automatically charge. It is recommended that you allow the projector to charge for at least 4 hours before using it in battery mode for the first time.



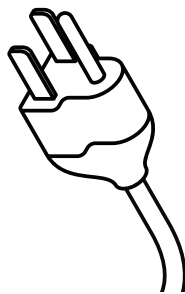
AC Power Cord Requirements

Ensure that the correct AC plug type is used, according to your location. If the power cord included with your projector does not match your local power source, contact your sales dealer.

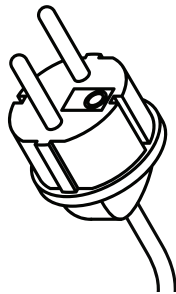
NOTE: It is recommended that your video source device uses a grounded plug. This will prevent signal interference from voltage fluctuations.



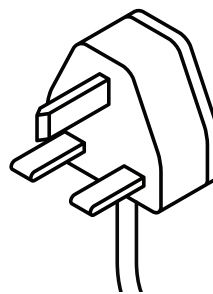
Australia and
Mainland China



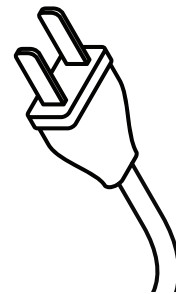
USA, Canada,
and Taiwan



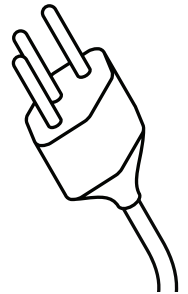
Continental
Europe



UK



Japan



Sweden

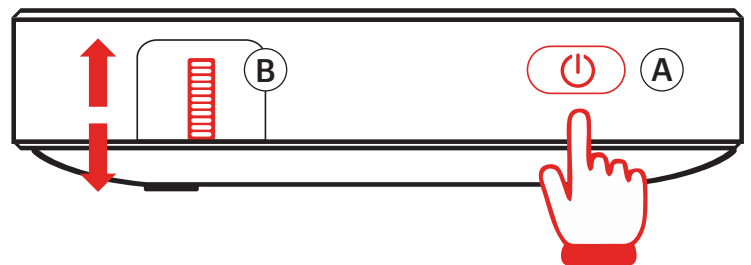
2. Connect an External Device to the Projector

A. Turn on the Projector

Press and hold the power button for 5 seconds to turn on the projector.

B. Adjust the Focus Wheel

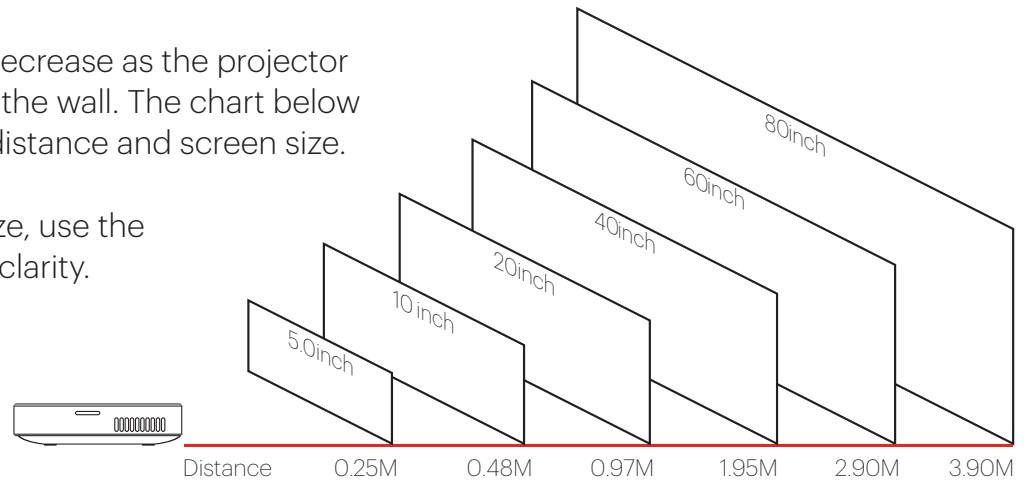
Open a still image and carefully rotate the focus wheel until the image is clear.



C. Adjust Screen Size

The screen size will increase or decrease as the projector is brought closer or further from the wall. The chart below details the correlation between distance and screen size.

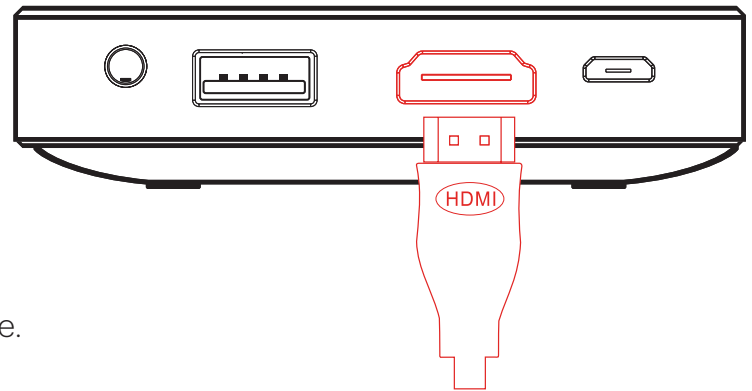
After the screen is the desired size, use the focus wheel to adjust the image clarity.




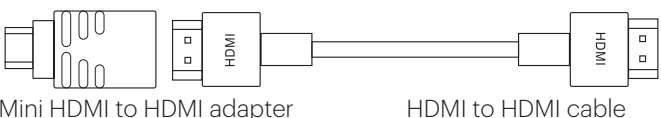
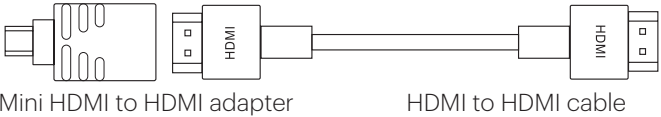
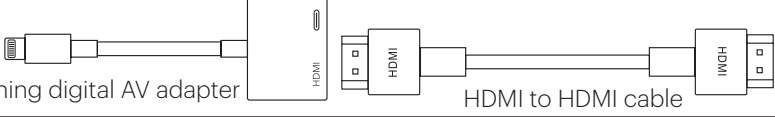
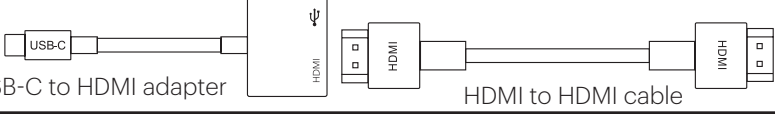

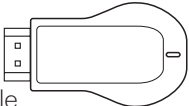
D. Connect to a an External Device

Your projector can be connected to a variety of external devices using the included HDMI® cable. Compatible devices include laptops, smart phones, tablets, gaming devices, and more.

- a. Connect one end of the HDMI® cable to the projector.
- b. Connect the other end of the HDMI® cable to the external device.



NOTE: Some devices may require an adapter in order to connect to the projector. Check the table below if using a device that is not HDMI® compatible.

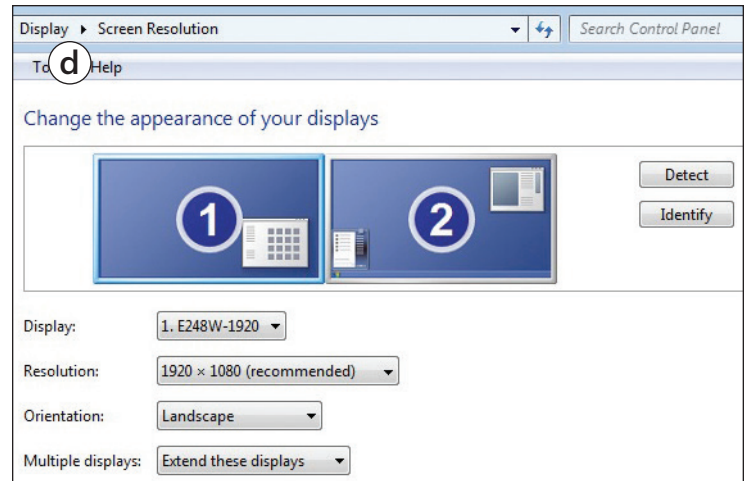
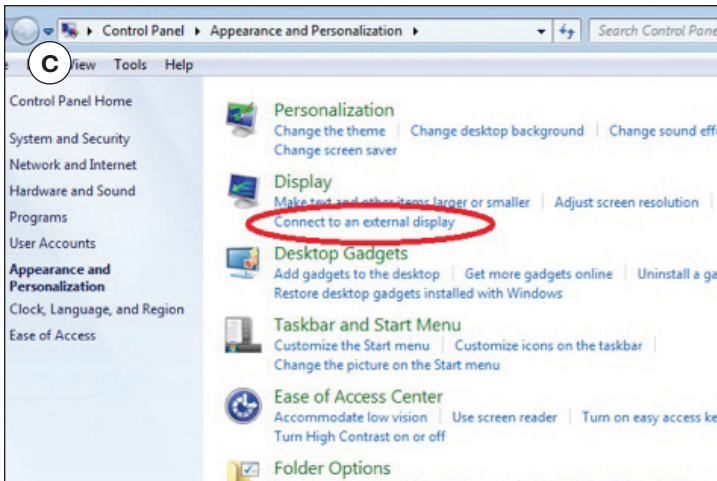
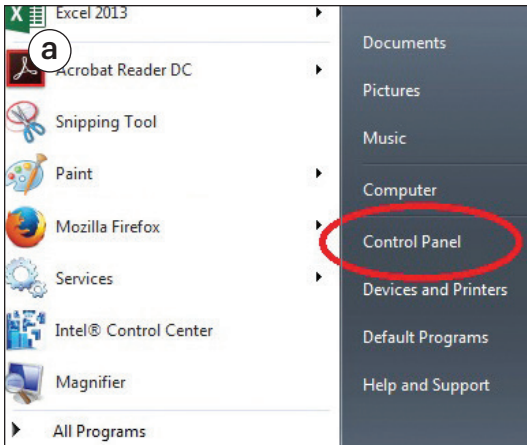
1	Devices with HDMI port	 HDMI to HDMI cable
2	Devices with mini HDMI port	 Mini HDMI to HDMI adapter HDMI to HDMI cable
3	Devices with micro HDMI port	 Mini HDMI to HDMI adapter HDMI to HDMI cable
4	iOS devices with lightning port	 Lightning digital AV adapter HDMI to HDMI cable
5	Devices with USB-C (USB type C) port	 USB-C to HDMI adapter HDMI to HDMI cable
6	Devices with USB-C (USB type C) port	 USB type C to HDMI cable
6	Devices with Screen Mirroring Function	 Wireless dongle

E. Enable your Computer for External Displays

If your computer does not automatically recognize the projector, it means that you must first enable the use of external displays. Each computer is different and may require a different setup.

To set up Windows 7 for external displays, follow the instructions below.

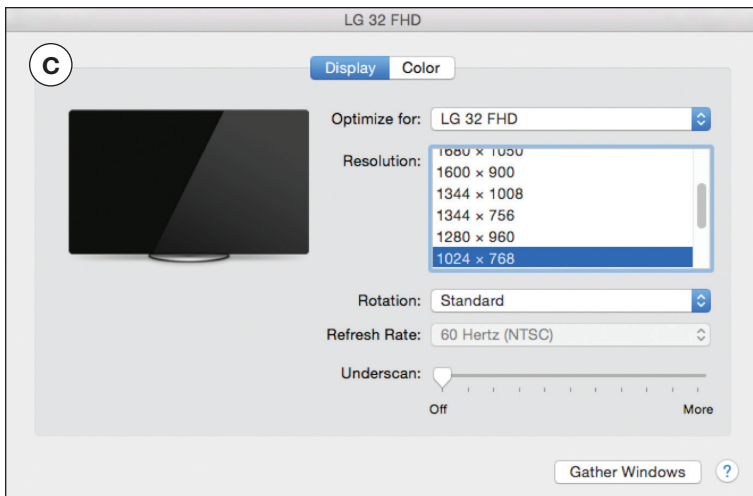
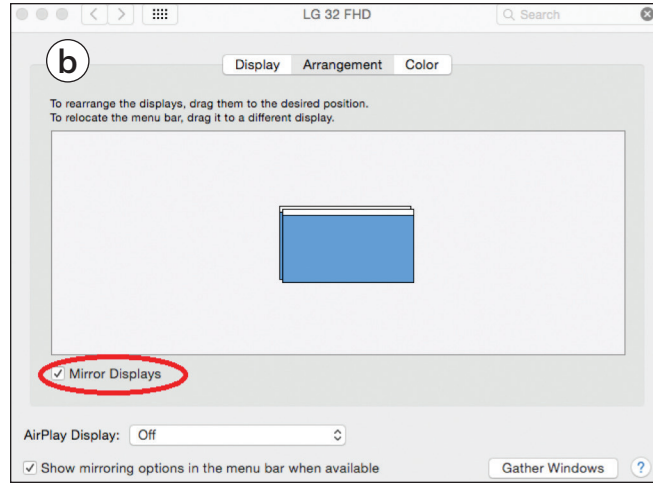
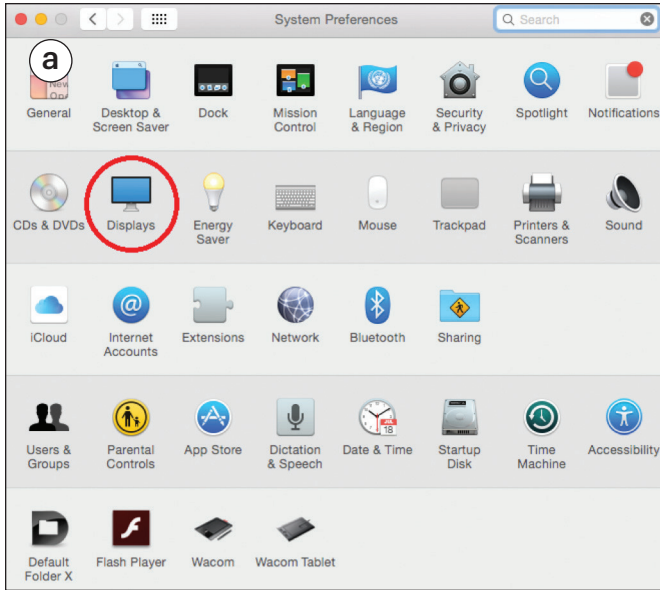
- a. Open the start menu and select the "Control Panel".
- b. Select "Appearance and Personalization".
- c. Under the "Display" section, select "Connect to an external display".
- d. Here you will be able to select your projector as an external display.



To set up a Mac® computer, follow the instructions below.

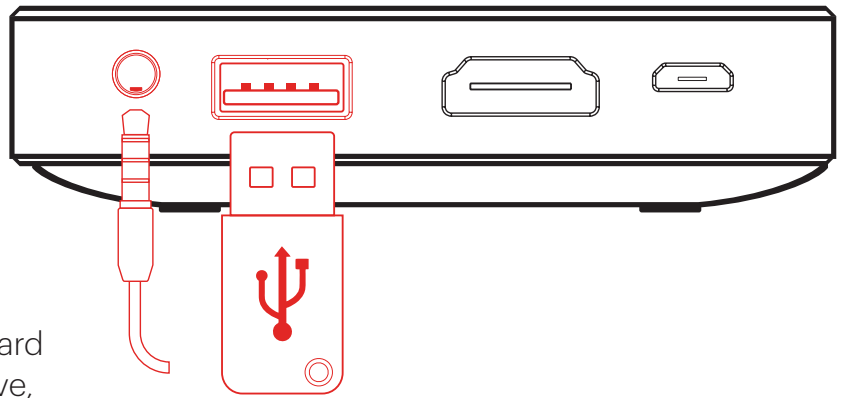
NOTE: In order to connect a Mac® computer to the projector via HDMI®, an adapter is needed (not included).

- a. Go to the “System Preferences” menu and select “Displays”
- b. Select the “Arrangements” tab. Make sure that “Mirror Displays” is checked.
- c. After checking “Mirror Displays”, a new window will open. On this display screen, set the resolution to 1024 x 768.



3. Connect Speakers or Headphones

- A. Connect your speakers or headphones to the projector's audio output port, using a 3.5mm cable.
- B. Adjust the volume as needed.



4. Insert MicroSD™ Card or USB Drive

Slide the microSD™ card into the microSD™ card slot until it clicks into place. If using a USB drive, insert it into the USB input.



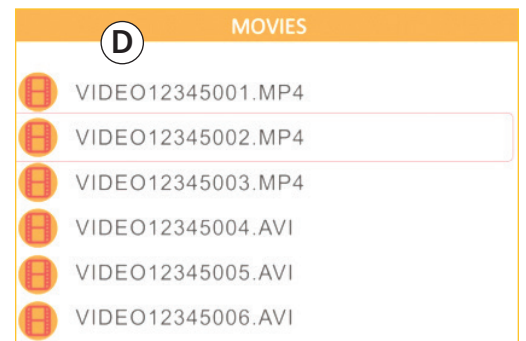
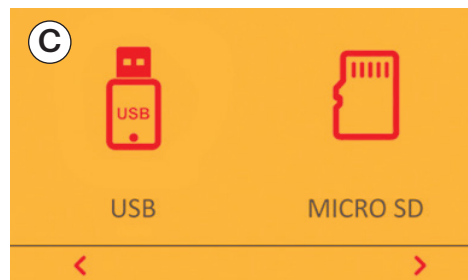
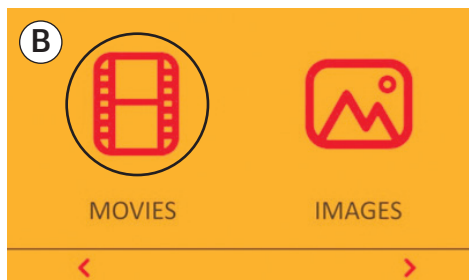
6. OPERATION

1. Turn on the Projector

Press and hold the power button to turn on the projector.

2. Playing a Video File

- A. After turning on the projector, you will be prompted to select either Movies or Images.
- B. Tap the Confirm button to gain access to the control panel, then use the confirm button to select Movies.
- C. You will then be prompted to select either USB or MicroSD™. Use the ► and ◀ buttons to highlight the format you wish to access. Then tap the confirm button to select.
- D. Use the ► and ◀ buttons to cycle through the list of files. Select the file you wish to play with the confirm button.



3. Video Controls

Before you can use the control panel, you must always tap the confirm button to make it appear first.

Pause: Tap the confirm button.

Fast Forward: Tap the ► button. Each tap will increase the speed by x2, x4, x8, and x16.

Rewind: Tap the ◀ button. Each tap will increase the speed by x2, x4, x8, and x16.

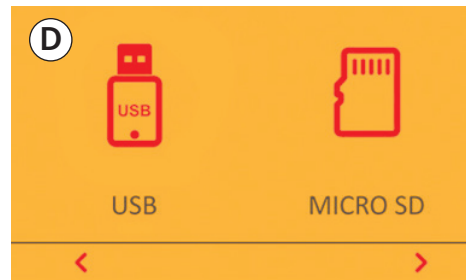
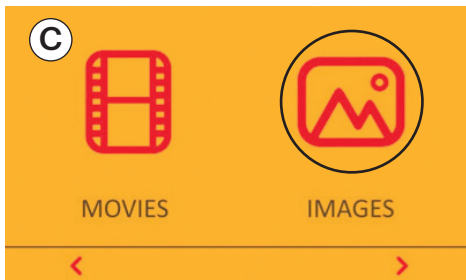
Back: tap the ↶ button to return to the video file list. Tap this button again to return to the main menu.

Volume Control: Tap the 🔊 button. Then use the ◀ and ► buttons to increase or decrease the volume.



4. Playing a Photo File

- After turning on the projector, you will be prompted to select either Movies or Images.
- Tap the confirm button to gain access to the control panel.
- Use the ► to highlight the Images option. Then use the confirm button to select Images.
- You will then be prompted to select either USB or MicroSD™. Use the ◀ ► buttons to highlight the format you wish to access. Then tap the confirm button to select.
- Use the left and right buttons to cycle through the list of files. Select the file you wish to play with the confirm button.



5. Photo Controls

When playing a photo file, the projector will automatically enter slideshow mode. While in this mode, each photo in the file list will automatically play in order.

Pause Slideshow: Tap the confirm button.

Resume Slideshow: Tap the confirm button.

Play Next Image: Tap the ► button.

Play Previous Image: Tap the ◀ button.

7. CARE AND MAINTENANCE

- Before cleaning your projector, make sure that it is switched off and unplugged.
- Wipe the projector's housing using a clean dry cloth.
- Make sure that the lens is cool before cleaning it. Wipe it gently using a lens cleaning paper or cloth. Never touch the lens with bare hands.
- Do not clean the projector with liquid or aerosol cleaners, or any harsh or abrasive chemicals.
- Do not submerge this product in water or any other liquid.
- Never operate the projector immediately after moving it to a cold location. When exposed to a drastic temperature change, moisture may condense on the lens and other internal parts, resulting in damage to the projector. It is recommended to wait at least 2 hours after exposing the projector to drastic temperature changes.

8. DISPOSAL

- Do not throw your projector into municipal waste. This product is designed to allow for proper reuse of parts and recycling. The symbol of the crossed-out bin indicates that the product should not be placed in municipal waste. Check local regulations for disposal of electronic products.
- Do not throw the battery into municipal waste. The symbol of the crossed-out bin indicates that the battery should not be placed in municipal waste.
- Never attempt to dispose of this product in fire or water. Risk of explosion or injury.
- When disposing of this product, contact your local recycling center for proper and responsible disposal instructions.

9. SPECIFICATIONS

Display	Display Technology	0.2" DLP DMD
	Light Source	RGB LED
	Light Source Life	30000 hours
	Native Resolution	640x360
	Brightness	75 lumens
	Contrast Ratio(typical)	1300:1
	Color Saturation(NTSC)	100%
	Display Colors	16.7 million colors
	Pixel Shape	Square
Projection images	Throw Ratio	2.2
	Aspect Ratio	16:9
	Projection Distance	0.65 ft. to 12.5 ft. (0.2m to 3.8m)
	Projection Screen Size	5-80 inches (12.7cm to 203cm)
	Projection Offset	100%
Input/Output	Image Input Modes	HDMI® input
	Speakers	1w *1
	Audio Out	3.5 mm Headphone jack

Signal Frequency	Digital Signal Frequency	24.7 KHz(H) to 74.6 KHz(H)/50Hz(V) to 60Hz(V)
Power	Power On Mode	≤ 4W
	Power Off Mode	≤ 0.003W
Battery	Battery Capacity	2500 mAH
	Battery Life	up to 2 hours when Video Mode
Noise	Acoustic Noise	30dB
Mechanical Design	Panel Colors	White
	Frame Colors	Gold
	Chassis Colors	White
	Tripod Socket	Copper M6 screw hole
	Button	Touch button
Dimension	Physical Dimensions	3" x 3" x 0.8" (80mm x 80mm x 20mm)
Weight	Net Weight	5 oz. (140g)
	Gross Weight with Packing	10 oz. (280g)
Working Environment	Operating Temperature	0°F to 40°F
	Operating Humidity	20% to 90%
Regulation Approvals	Certificate	FCC, IC, CP65, IEC60065

10. CUSTOMER SERVICE

kodak@camarketing.com
844-516-1539

11. WARRANTY

LIMITED WARRANTY TO ORIGINAL CONSUMER

This KODAK Pocket Portable Projector ("Product"), including any accessories included in the original packaging, as supplied and distributed new by an authorized retailer is warranted by C&A Marketing, Inc. (the "Company") to the original consumer purchaser only, against certain defects in material and workmanship ("Warranty") as follows:

To receive Warranty service, the original consumer purchaser must contact the Company or its authorized service provider for problem determination and service procedures. Proof of purchase in the form of a bill of sale or receipted invoice, evidencing that the Product is within the applicable Warranty period(s), MUST be presented to the Company or its authorized service provider in order to obtain the requested service.

Service options, parts availability, and response times may vary and may change at any time. In accordance with applicable law, the Company may require that you furnish additional documents and/or comply with registration requirements before receiving warranty service. Please contact our

customer service for details on obtaining warranty service:

USA: kodak@camarketing.com, 844-516-1539

International: kodakintl@camarketing.com, +1-844-516-1540

Shipping expenses to the Company's Return Facility are not covered by this warranty, and must be paid by the consumer. The consumer likewise bears all risk of loss or further damage to the Product until delivery to said facility.

EXCLUSIONS AND LIMITATIONS The Company warrants the Product against defects in materials and workmanship under normal use for a period of ONE (1) YEAR from the date of retail purchase by the original end-user purchaser ("Warranty Period"). If a hardware defect arises and a valid claim is received within the Warranty Period, the Company, at its sole option and to the extent permitted by law, will either (1) repair the Product defect at no charge, using new or refurbished replacement parts, (2) exchange the Product with a Product that is new or which has been manufactured from new or serviceable used parts and is at least functionally equivalent to the original device, or (3) refund the purchase price of the Product.

A replacement Product or part thereof shall enjoy the warranty of the original Product for the remainder of the Warranty Period, or ninety (90) days from the date of replacement or repair, whichever provides you longer protection. When a Product or part is exchanged, any replacement item becomes your property, while the replaced item becomes the Company's property. Refunds can only be given if the original Product is returned.

This Warranty does not apply to:

- (a) Any non-KODAK Pocket Portable Projector product, hardware or software, even if packaged or sold with the Product;
- (b) Damage caused by use with non-KODAK Pocket Portable Projector products;
- (c) Damage caused by accident, abuse, misuse, flood, fire, earthquake, or other external causes;
- (d) Damage caused by operating the Product outside the permitted or intended uses described by the Company;
- (e) Damage caused by third party services;
- (f) A Product or part that has been modified to alter functionality or capability without the written permission of the Company;
- (g) Consumable parts, such as batteries, fuses and bulbs;
- (h) Cosmetic damage; or
- (i) If any KODAK Pocket Portable Projector serial number has been removed or defaced.

This Warranty is valid only in the country where the consumer purchased the Product, and only applies to Products purchased and serviced in that country.

The Company does not warrant that the operation of the Product will be uninterrupted or error-free. The Company is not responsible for damage arising from your failure to follow instructions relating to its use.

NOTWITHSTANDING ANYTHING TO THE CONTRARY AND TO THE MAXIMUM EXTENT PERMITTED BY APPLICABLE LAW, THE COMPANY PROVIDES THE PRODUCT "AS-IS" AND "AS-AVAILABLE" FOR YOUR CONVENIENCE AND THE COMPANY AND ITS LICENSORS AND SUPPLIERS EXPRESSLY DISCLAIM

ALL WARRANTIES AND CONDITIONS, WHETHER EXPRESSED, IMPLIED, OR STATUTORY, INCLUDING THE WARRANTIES OF MERCHANTABILITY, FITNESS FOR A PARTICULAR PURPOSE, TITLE, QUIET ENJOYMENT, ACCURACY, AND NON-INFRINGEMENT OF THIRD-PARTY RIGHTS. THE COMPANY DOES NOT GUARANTEE ANY SPECIFIC RESULTS FROM THE USE OF THE PRODUCT, OR THAT THE COMPANY WILL CONTINUE TO OFFER OR MAKE AVAILABLE THE PRODUCT FOR ANY PARTICULAR LENGTH OF TIME. THE COMPANY FURTHER DISCLAIMS ALL WARRANTIES AFTER THE EXPRESS WARRANTY PERIOD STATED ABOVE.

YOU USE THE PRODUCT AT YOUR OWN DISCRETION AND RISK. YOU WILL BE SOLELY RESPONSIBLE FOR (AND THE COMPANY DISCLAIMS) ANY AND ALL LOSS, LIABILITY, OR DAMAGES RESULTING FROM YOUR USE OF THE PRODUCT.

NO ADVICE OR INFORMATION, WHETHER ORAL OR WRITTEN, OBTAINED BY YOU FROM THE COMPANY OR THROUGH ITS AUTHORIZED SERVICE PROVIDERS SHALL CREATE ANY WARRANTY.

IN NO EVENT WILL THE COMPANY'S TOTAL CUMULATIVE LIABILITY ARISING FROM OR RELATED TO THE PRODUCT, WHETHER IN CONTRACT OR TORT OR OTHERWISE EXCEED THE FEES ACTUALLY PAID BY YOU TO THE COMPANY OR ANY OF ITS AUTHORIZED RESELLERS FOR THE PRODUCT AT ISSUE IN THE LAST YEAR FROM YOUR PURCHASE. THIS LIMITATION IS CUMULATIVE AND WILL NOT BE INCREASED BY THE EXISTENCE OF MORE THAN ONE INCIDENT OR CLAIM. THE COMPANY DISCLAIMS ALL LIABILITY OF ANY KIND OF ITS LICENSORS AND SUPPLIERS. IN NO EVENT WILL THE COMPANY OR ITS LICENSORS, MANUFACTURERS AND SUPPLIERS BE LIABLE FOR ANY INCIDENTAL, DIRECT, INDIRECT, SPECIAL, PUNITIVE OR CONSEQUENTIAL DAMAGES (SUCH AS, BUT NOT LIMITED TO, DAMAGES FOR LOSS OF PROFITS, BUSINESS, SAVINGS, DATA OR RECORDS) CAUSED BY THE USE, MISUSE OR INABILITY TO USE THE PRODUCT.

Nothing in these terms shall attempt to exclude liability that cannot be excluded under applicable law. Some countries, states or provinces do not allow the exclusion or limitation of incidental or consequential damages or allow limitations on warranties, so certain limitations or exclusions may not apply to you. This warranty gives you specific legal rights, and you may have other rights that vary from state to state or province to province. Contact your authorized retailer to determine if another warranty applies.

Kodak does NOT manufacture this Product or provide any Warranty or support.

KODAKPHOTOPLUS.COM

The Kodak trademark, logo and trade dress are used under license from Kodak.

SD is a trademark of SD-3C LLC in the United States, other countries or both

HDMI, the HDMI logo, and High-Definition Multimedia Interface are trademarks or registered trademarks of HDMI Licensing, LLC in the United States and/or other countries.

The USB Trident Logo is a registered trademark of USB Implementers Forum, Inc. in the United States and/or other countries.

All other products, brand names, company names and logos are trademarks of their respective owners, used merely to identify their respective products, and are not meant to connote any sponsorship, endorsement or approval.

Distributed by C&A Marketing, Inc., 114 Tived Lane East, Edison, NJ 08837 USA, C&A Marketing UK LTD,
167 Hermitage Road, Crusader Industrial Estate, London N4 1LZ, UK

©2017, C&A IP Holdings, LLC

