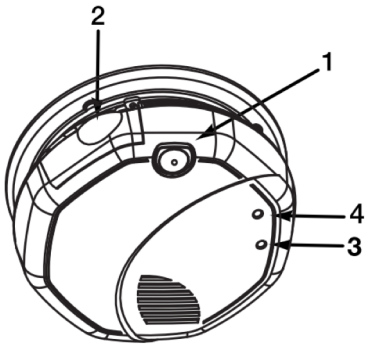


# First Alert Fire & Carbon Monoxide Sensor

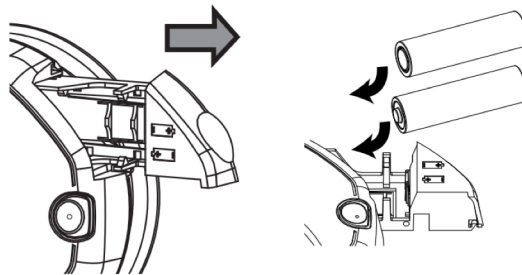


1. Test/Silence Button
2. Battery Compartment
3. Power/Smoke Alarm LED
4. CO Alarm LED

## Pairing with your Constellation Connect Hub

1. Enter the device wizard on your mobile app or online account
2. Select Z Combo Smoke/CO from the list of available devices
3. Follow the in app or online account instructions to begin the pairing process with the Constellation Connect Hub
4. Slide the battery door open
5. Insert the batteries and check the correct orientation
6. When instructed to do so, press and hold the test button
7. Keep it held down as you slide the battery drawer closed; you may then release the button
8. Your Z-Combo Smoke/CO is successfully connected to your Constellation Connect Hub and will appear as a device in the device list
9. (Optional) Follow the on-screen instructions to name your Z Combo Smoke/CO and assign it to a room.

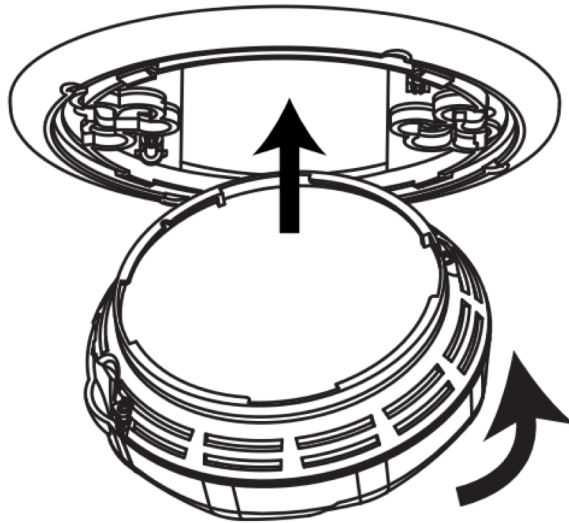
## Battery Insertion



1. Slide the battery door open
2. Insert batteries checking the correct orientation

**For additional information, please contact us**

Constellation Connect Support | 1.888.918.7128 | [support@constellationconnect.com](mailto:support@constellationconnect.com) | [constellationconnect.com/contact](http://constellationconnect.com/contact)



## Wall Mounting

1. Hold base firmly and twist the mounting bracket counterclockwise to separate it from the unit
2. Hold the mounting bracket against the ceiling or wall so the vertical mounting slot is aligned in the 12 o'clock position and trace around the inside of the mounting slots (vertical and horizontal mounting)
3. Put the unit where it won't get covered with dust when you drill the mounting holes
4. Using a 3/16 inch drill bit, drill a hole through the center of the oval outlines you traced
5. Insert the plastic screw anchors (included with the device) into the holes
6. Tap the screw anchors gently with a hammer, if necessary, until they are flush with the ceiling or wall
7. Screw the mounting bracket to the ceiling or wall through the mounting slots using the 2 screws provided
8. Before attaching the alarm to the bracket, insert the 2 AA batteries (included) into the battery compartment
9. Match the terminals on the end of the battery with the terminals on the unit
10. Attach the Smoke/CO alarm to the mounting bracket
11. Line up the guides on the alarm's base with the guides on the mounting bracket
12. When guides are lined up, turn the base clockwise until it snaps into place

**Note:** Once the Fire/CO Sensor is snapped onto the mounting bracket, you can rotate it to adjust alignment

**For additional information, please contact us**

Constellation Connect Support | 1.888.918.7128 | [support@constellationconnect.com](mailto:support@constellationconnect.com) | [constellationconnect.com/contact](http://constellationconnect.com/contact)