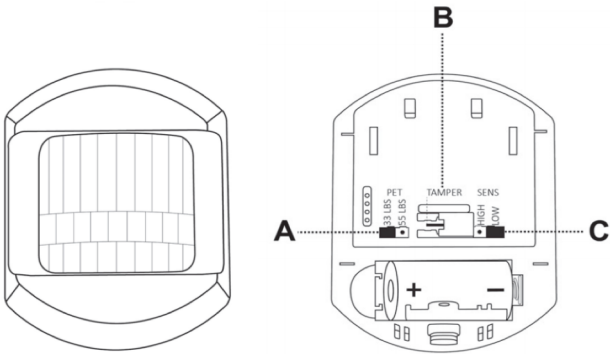


Passive Infrared (PIR) Motion Detector



- A. Pet: This is the pet-immune tolerance setting (33-55 lbs.)
- B. Tamper: This is the tamper switch
- C. This is the sensitivity setting (high or low)

Programming with your Constellation Connect Hub

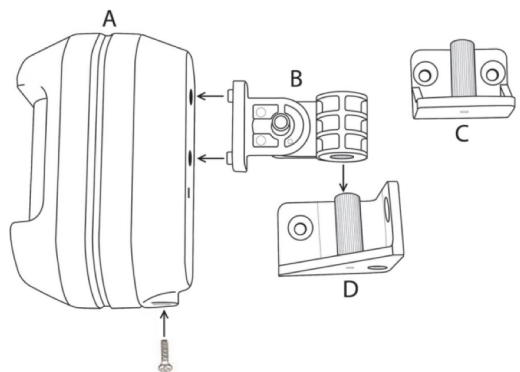
1. Enter the device wizard on your mobile app or online account
2. Select PIR Motion Detector from the list of available devices
3. Follow the instructions in your app or online account to begin the pairing process with your hub
4. Insert batteries to power the sensor and activate the pairing process on the PIR Motion Detector
5. Your PIR Motion Detector should now be successfully connected to your Constellation Connect Hub and will appear as a device in the device list
6. (Optional) Follow the on-screen instructions to name your PIR Motion Detector and assign it to a room

Mounting – General Guidelines

1. Mount sensors within 100 feet of your Constellation Connect Hub using the double sided tape or mounting hardware and screws included with your device.
2. The PIR Motion Detector has a maximum range of 30 feet deep x 50 feet wide
3. The PIR Motion Detector's pet immune feature can be set to tolerate animals up to 55 lbs.
4. When set to (HI) Sensitivity Mode, the PIR Motion Detector has a maximum range of 30 feet

Installing the PIR Motion Detector using the enclosed hardware instead of the double sided tape)

- A. Back plate
- B. Plastic mounting bracket
- C. Wall mounting bracket
- D. Corner mounting bracket



For additional information, please contact us

Constellation Connect Support | 1.888.918.7128 | support@constellationconnect.com
constellationconnect.com/contact

Installing the PIR Motion Detector using the enclosed hardware instead of the double sided tape)

1. Remove the PIR Motion Detector back plate
2. Insert the 2 stubs on the plastic mounting bracket into the corresponding holes on the exterior side of the PIR Motion Detector back plate
3. On the interior of the PIR Motion Detector back plate, use the short Phillips head screw (provided) to secure the plastic mounting bracket to the back plate
4. Reattach the PIR Motion Detector back plate by reattaching the screw that was removed earlier to the bottom
5. Continue with either the wall mounting option or the corner mounting option

Wall mounting option

1. On the intended wall, use the 2 plastic wall anchors to hang the plastic wall mount at a height of 7 feet
2. Locate the barrel end of the plastic mounting bracket and carefully set it onto the ribbed pin of the plastic wall mount at the desired angle
3. From the topside of the plastic wall mount, use the short Phillips head screw (provided) to secure the mount to the barrel end of the bracket

Corner mounting option

1. On the intended wall, use the 2 plastic wall anchors to hang the plastic wall mount at a height of 7 feet
2. Locate the barrel end of the plastic mounting bracket and carefully set it onto the ribbed pin of the plastic wall mount at the desired angle
3. From the topside of the plastic wall mount, use the short Phillips head screw with to secure the mount to the barrel end of the bracket

For additional information, please contact us

Constellation Connect Support | 1.888.918.7128 | support@constellationconnect.com
constellationconnect.com/contact