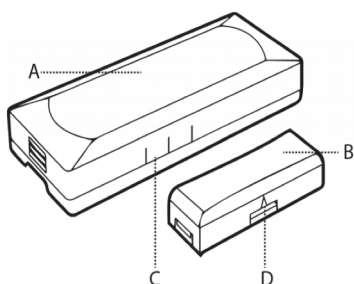


# Thin Door/Window Contact Sensor



- A. Thin Door/Window Contact Sensor
- B. Thin Door/Window Contact Magnet
- C. Alignment marks on sensor
- D. Alignment arrow on magnet

## Programming with your Constellation Connect Hub

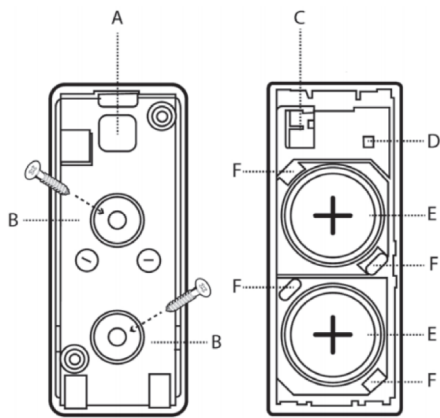
1. Enter the device wizard on your mobile app or online account
2. Select Thin Door/Window Contact Sensor from the list of available devices
3. Follow the instructions in your app or online account to begin the pairing process with your hub
4. Open the back cover of the sensor
5. Pull the plastic tab from underneath the batteries to activate the pairing process
6. Your Thin Door/Window Contact Sensor should now be successfully connected to your Constellation Connect Hub and will appear as a device in the device list
7. (Optional) Follow the on-screen instructions to name your Thin Door/Window Contact Sensor and assign it to a room.

## Mounting – General Guidelines

1. Mount sensors within 100 feet of your Constellation Connect Hub using the double sided tape included with your device
2. Keep sensors and magnets away from metal metallic surfaces
3. Align magnet with sensor using the alignment markings on each
4. Using the 2 double sided tape strips or the Phillip head screws (also included with the device), secure the back plate to the door or doorframe.
5. Ensure that the alignment arrow on the magnet is lined up with the middle mark on the sensor

**For additional information, please contact us**

Constellation Connect Support | 1.888.918.7128 | [support@constellationconnect.com](mailto:support@constellationconnect.com) | [constellationconnect.com/contact](https://constellationconnect.com/contact)



- A. Access hole
- B. Top and bottom mounting holes on back plate
- C. External input wire jack (for future use)
- D. Tamper switch on sensor
- E. 3V lithium coin battery compartments on sensor
- F. Metal clips for removing batteries on sensor

### Installing the sensor on the door/window

1. At the top of the sensor, press down on the clip to unlock the sensor's back plate.
  2. Gently pull down on the back plate to remove it
  3. Before mounting the contact and magnet check the mounting orientation.
  4. Mount the **contact** on the stationary part of the window or door
  5. Then mount the **magnet** on the moving part of the window or door
1. Permanently mount the contact base using the double sided tape or the included screws

**For additional information, please contact us**

Constellation Connect Support | 1.888.918.7128 | support@constellationconnect.com |  
constellationconnect.com/contact