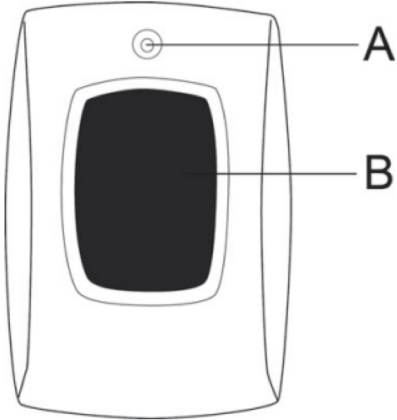


Panic Button Remote



- A. LED Indicator
- B. Panic Button

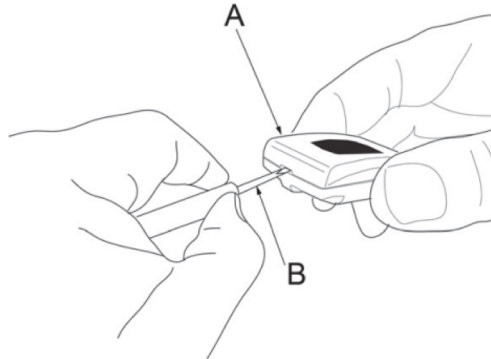
Button Functionality

1. Press and hold the panic button for approximately 2 seconds. When the LED illuminates RED, a signal is transmitted to the hub
2. The hub receives the signal and sounds the siren*

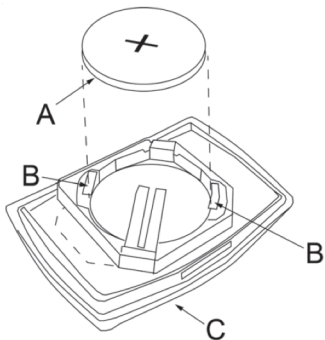
*Customers with the Constellation Connect Professional Monitoring Service will immediately be contacted by the monitoring center

Inserting and replacing the battery

- A. Top cover
- B. Flat head screwdriver



1. Insert a small, flathead screwdriver into the opening on the panic button and remove the top cover
2. Gently insert the flathead screwdriver between the battery and one of the metal clips in the battery compartment removing the old battery
3. Insert the replacement battery with the positive (+) sign facing up



- A. Battery
- B. Metal clips
- C. Battery compartment

For additional information, please contact us

Constellation Connect Support | 1.888.918.7128 | support@constellationconnect.com |
constellationconnect.com/contact

Pairing with your Constellation Connect Hub

1. Enter the device wizard on your mobile app or through your online account
2. Select Panic Button Remote from the list of available devices
3. Follow the in-app or on-screen instructions to begin the pairing process on your hub
4. Press and hold the button on the Panic Button Remote until the LED turns solid red
5. Your Panic Button Remote is successfully connected to your Constellation Connect Hub and will appear as a device in the device list
6. (Optional) Follow the on-screen instructions to name your remote and assign it to a room

For additional information, please contact us

Constellation Connect Support | 1.888.918.7128 | support@constellationconnect.com | constellationconnect.com/contact