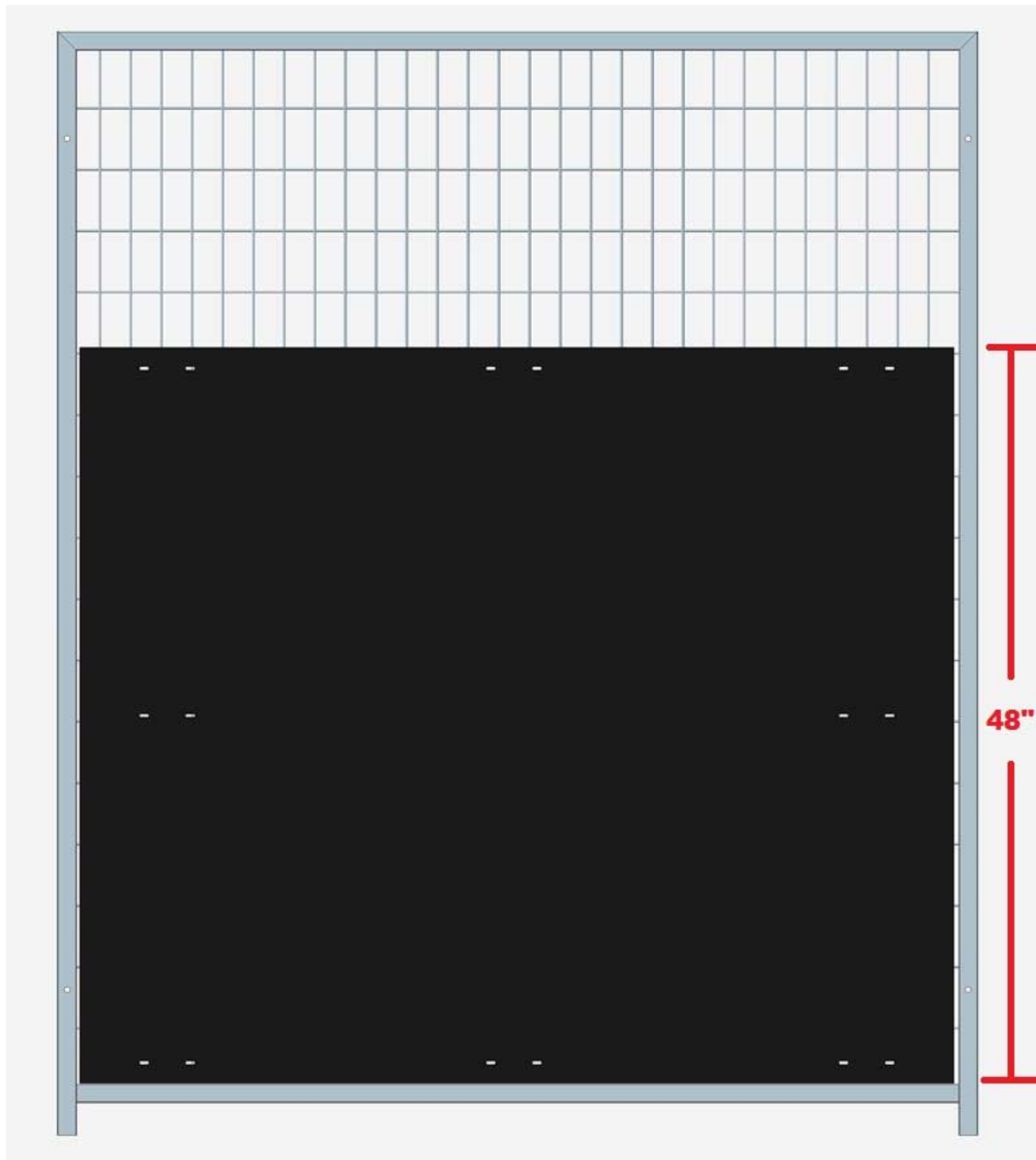
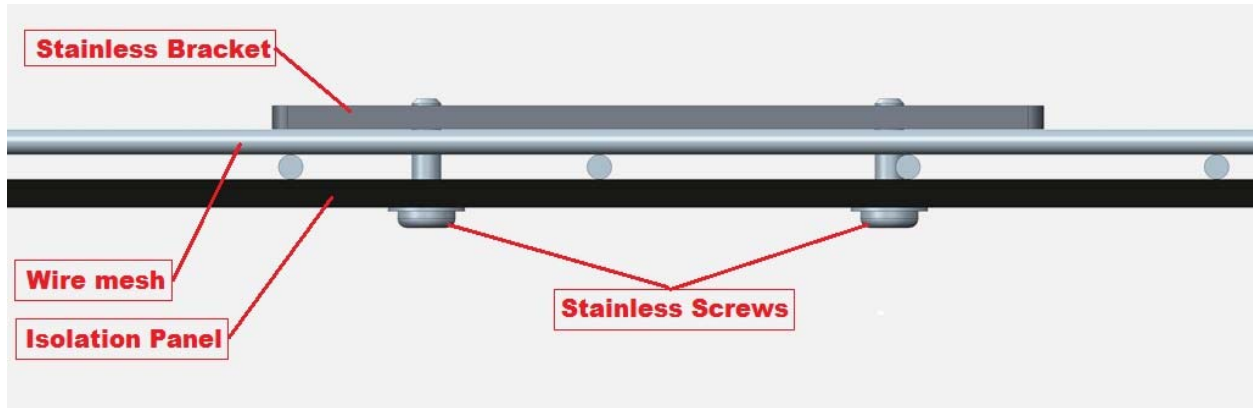


## Isolation Panel Installation



All the Isolation Panels are 48" tall. Install them with the 48" vertical and with the bottom edge sitting on the bottom frame and the back against the wire mesh. Equally space the small gaps on the left and right as needed.

## Isolation Panel Installation



Install the stainless steel screws through the isolation panel and into the Stainless steel bracket which will sandwich the wire mesh in between the two. Leave the screw loose until they are all started, then tighten them from the bottom up on the isolation panel.

