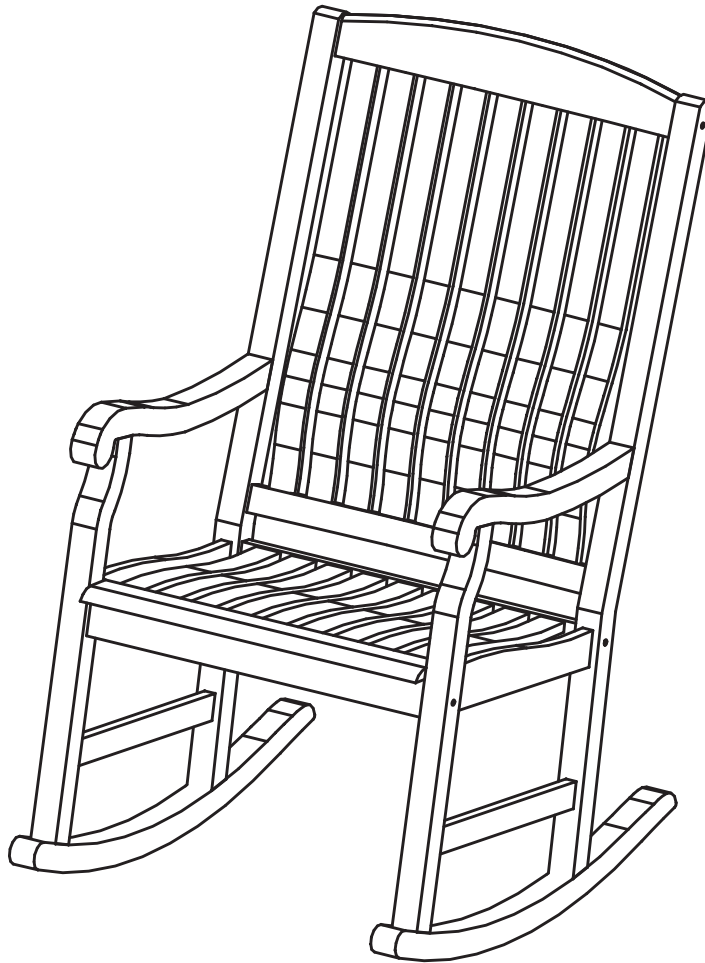


ASSEMBLY INSTRUCTIONS
TEAK PORCH ROCKER
IT-130277T



CUSTOMER SERVICE INFORMATION

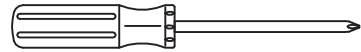
Please do not return to the store. If any pieces are missing call our toll free number at 1-888-287-4275 from 9:00 am to 5:00 pm CST (Monday to Friday) for replacement parts. For faster service, have the style number handy when calling.

GENERAL INFORMATION & TIPS

1. Please read the assembly instructions prior to assembling the porch rocker.
2. To avoid damage, assemble the porch rocker on a non-abrasive surface such as carpet.
3. Make sure all bolts tightly fastened before the porch rocker is used.
4. This porch rocker is not for commercial use.

Please make sure you have all parts before beginning assembly. Please wait until all steps are completed before tightening bolts.

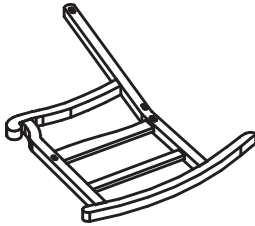
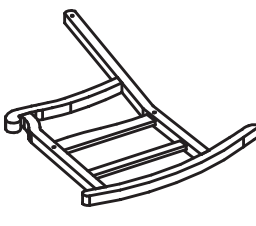
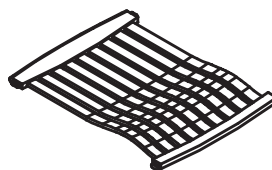
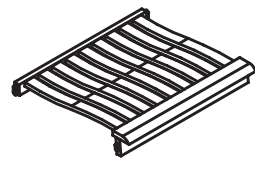
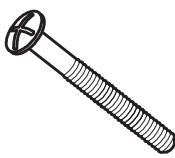

1. 8" Philips screwdriver
- For tightening all bolts and screws.



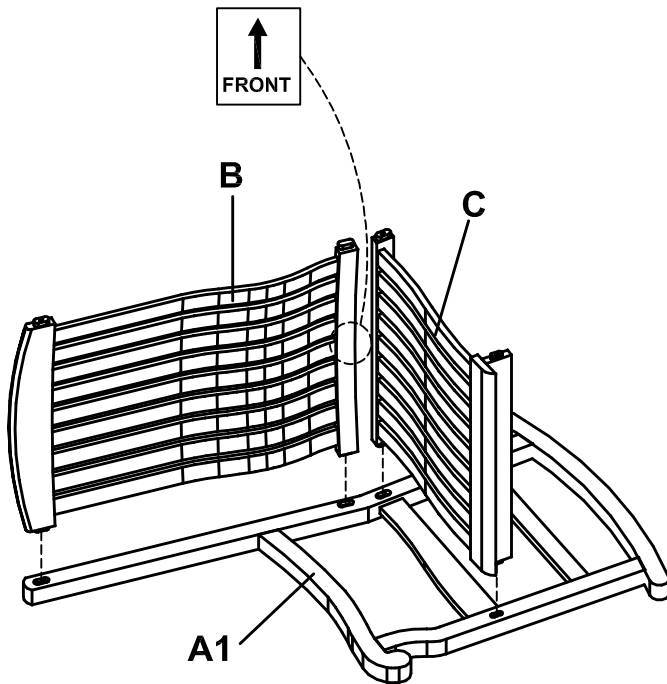
2. Rubber Mallet
- For tapping in the wooden caps.



PARTS AND HARDWARE LIST

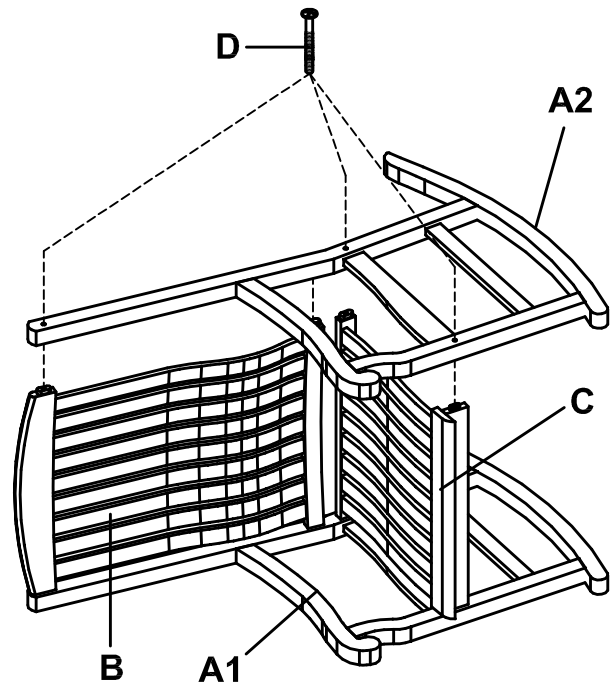
A1. Right Side frame	A2. Left Side Frame	B. Back Support	C. Seat
			
QTY: 1 pc	QTY: 1 pc	QTY: 1 pc	QTY: 1 pc
D. Bolt 1 1/2"	E. Wooden cap		
			
QTY: 6 pcs + 1	QTY: 6 Pcs + 1		

STEP 1



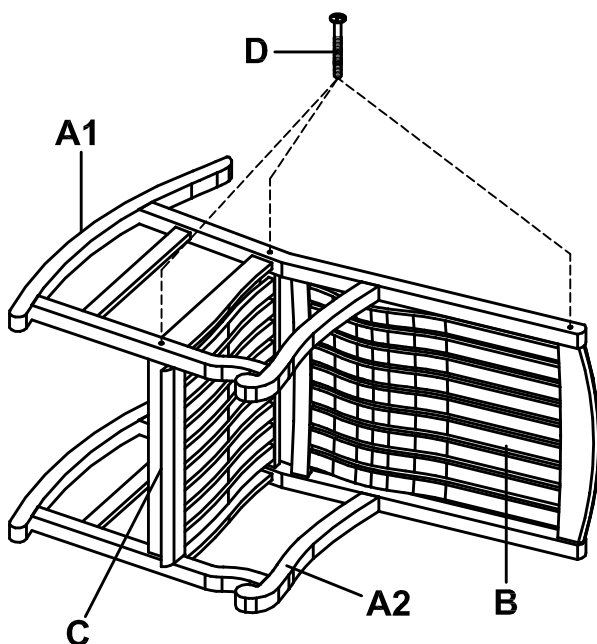
Attach back support (B) and seat (C) on to right side frame holes (A1).
(Apron with round edge must attached in front).

STEP 2



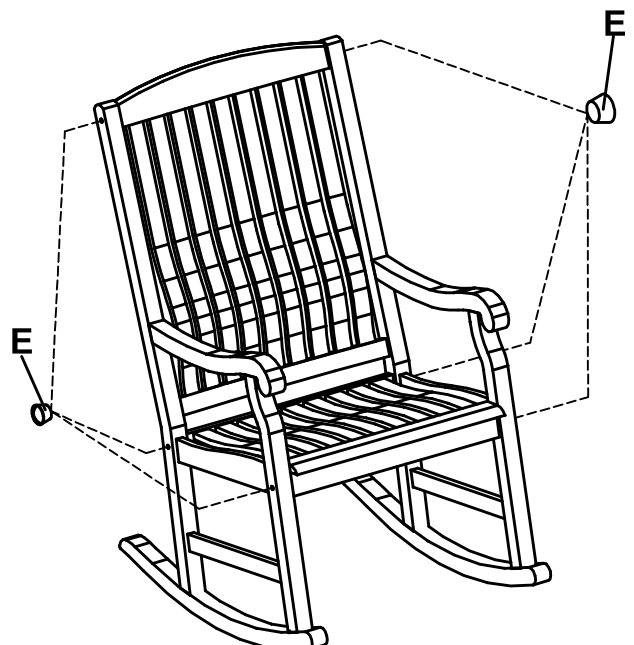
- Attach left side frame (A2) to the assembly from step 1, insert 1 1/2" bolts (D), as shown.
** Do not fully tighten all bolts yet.

STEP 3



Invert the rocker and repeat step 2 procedure to secure frame.

STEP 4



- Stand the rocker upright.
- Make sure all parts are correctly connected and tighten all bolts completely using screwdriver.
- Tapping in the wooden caps (E) to cover bolts head using rubber mallet.

CONGRATULATION !

THE PORCH ROCKER IS NOW READY FOR USE.