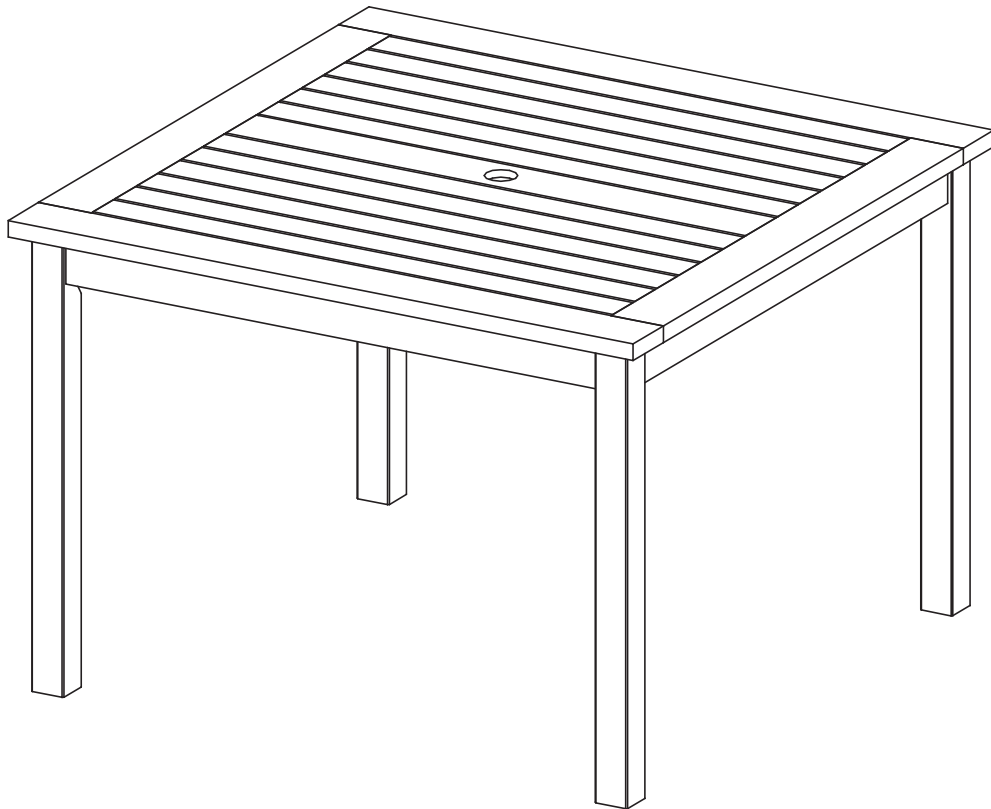


ASSEMBLY INSTRUCTIONS
42" TEAK TABLE SQUARE
IT-320283T



CUSTOMER SERVICE INFORMATION

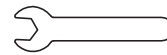
Please do not return to the store. If any pieces are missing call our toll free number at 1-888-287-4275 from 9:00 am to 5.00 pm CST (Monday to Friday) for replacement parts. For faster service, have the style number handy when calling.

GENERAL INFORMATION & TIPS

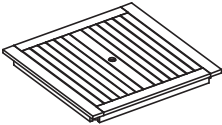

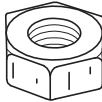


1. Please read the assembly instructions prior to assembling the Table.
2. To avoid damage, assemble the table on a non-abrasive surface such as carpet.
3. Make sure all nuts tightly fastened before the table is used.
4. This table is not for commercial use.

Please make sure you have all parts before beginning assembly. Please wait until all steps are completed before tightening nuts.

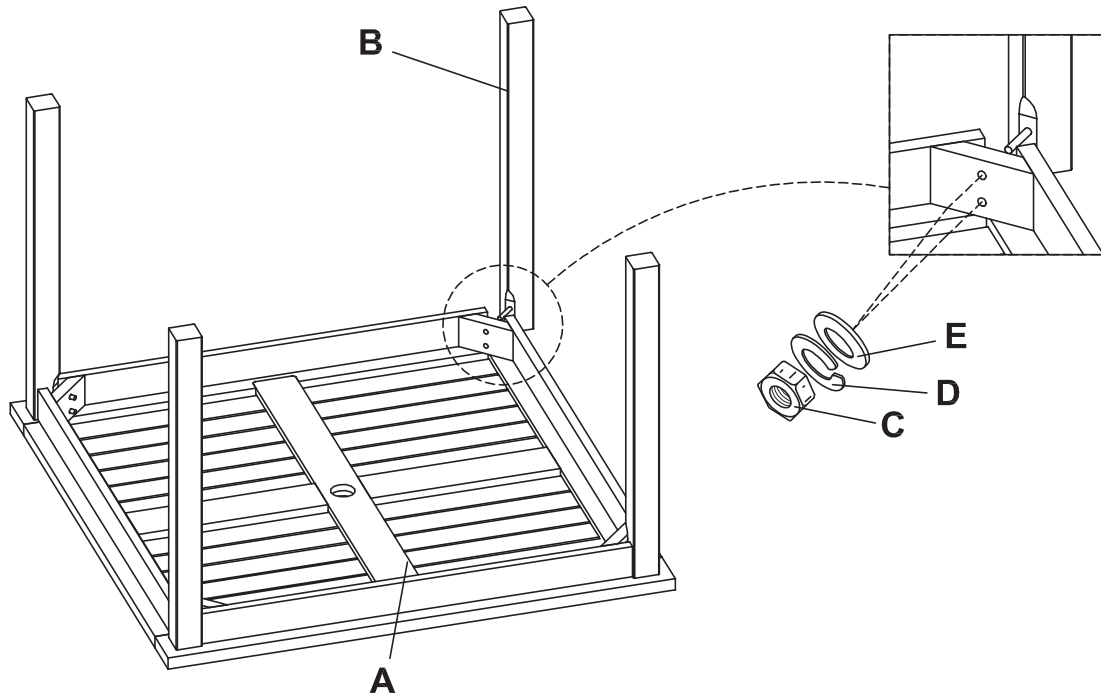
1. A wrench is necessary for assembly.
It's included in hardware list.



PARTS AND HARDWARE LIST

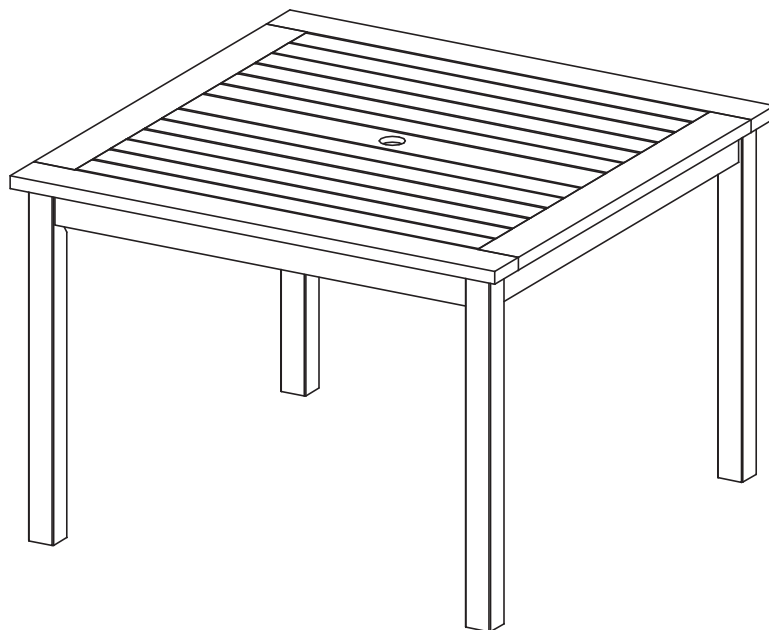
A. Top table	B. Leg	C. Nut	D. Washer spring
			
QTY: 1 pc	QTY: 4 pcs	QTY: 8 pcs + 1	QTY: 8 pcs + 1
E. Spring			
			
QTY: 8 pcs + 1			

STEP 1



Attach the leg frame (B) into each corner of the top table (A).
insert Washer (E), Spring washer (D), and Nut (C) to each leg (B).
Tighten nuts using wrench.

STEP 2



Turn the table right side up.
CONGRATULATION !
THE TABLE IS NOW READY FOR USE