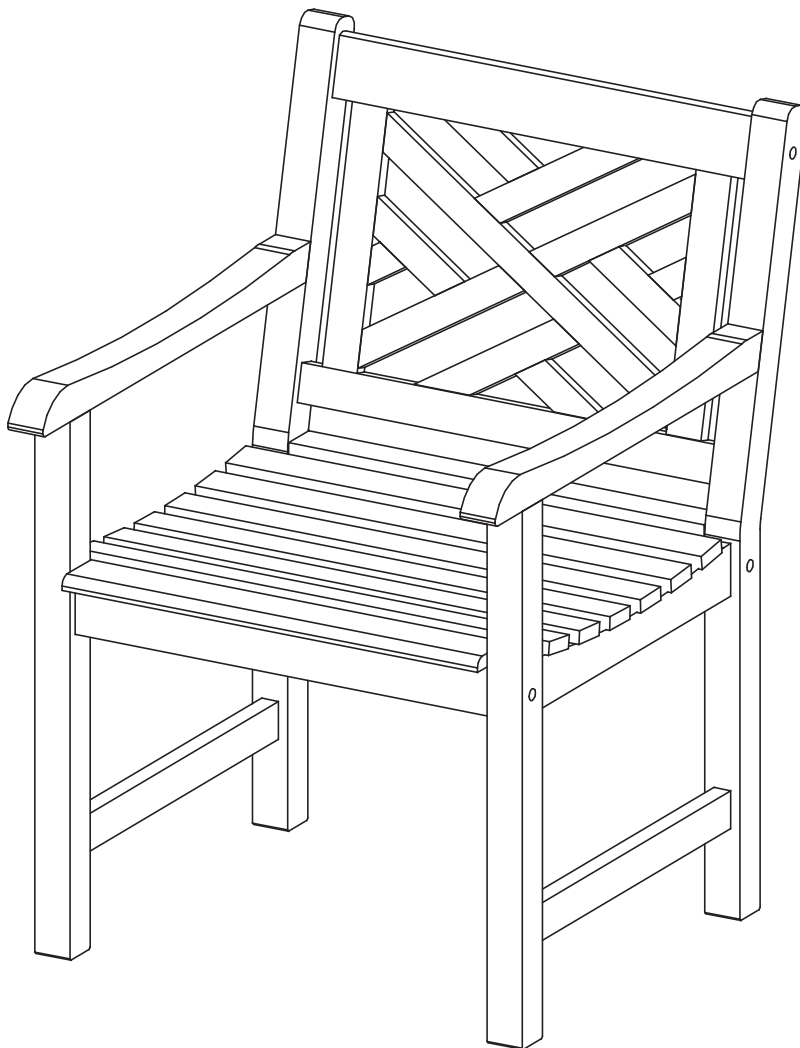


**ASSEMBLY INSTRUCTIONS**  
**TEAK CHIPPENDALE ARMCHAIR**  
**IT-120790T**



**CUSTOMER SERVICE INFORMATION**

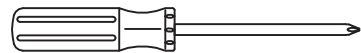
**Please do not return to the store. If any pieces are missing call our toll free number at 1-888-287-4275 from 9:00 am to 5.00 pm CST (Monday to Friday) for replacement parts. For faster service, have the style number handy when calling.**

## GENERAL INFORMATION & TIPS

1. Please read the assembly instructions prior to assembling the armchair.
2. To avoid damage, assemble the armchair on a non-abrasive surface such as carpet.
3. Make sure all bolts and screws tightly fastened before the armchair is used.
4. This armchair is not for commercial use.

Please make sure you have all parts before beginning assembly. Please wait until all steps are completed before tightening bolts and screw.

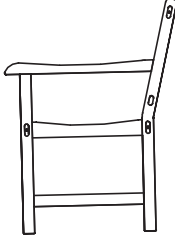
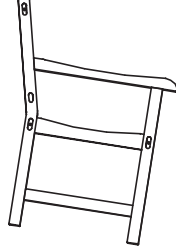
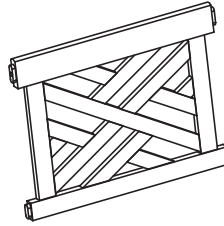
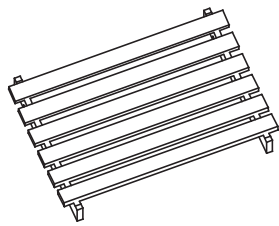
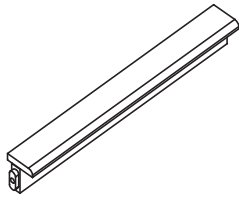
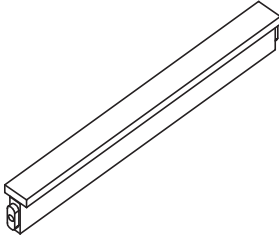
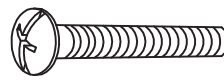


1. 8" Philips screwdriver (Not provided).  
- For tightening all bolts and screws.



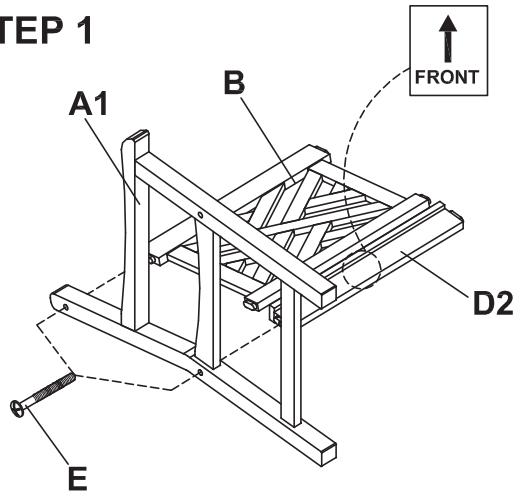
2. Rubber Mallet (Not provided).  
- For tapping in the wooden caps.



## PARTS AND HARDWARE LIST

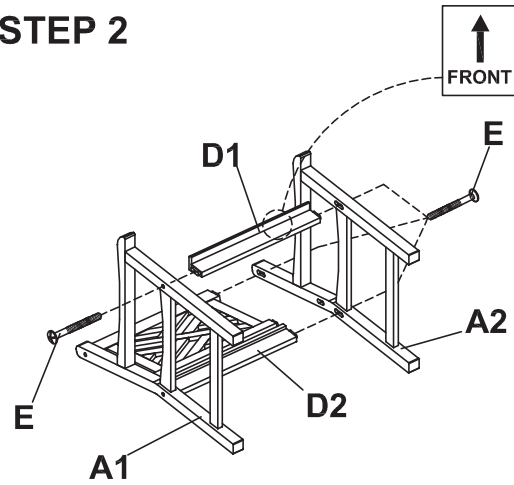
A1. Right side frame	A2. Left side frame	B. Back support	C. Seat
			
Qty : 1 Pc	Qty : 1 Pc	Qty : 1 Pc	Qty : 1 Pc
D1. Front apron	D2. Back apron	E. 1 1/2" Bolt	F. 1" Screw
			
Qty : 1 Pc	Qty : 1 Pc	Qty : 6 Pcs + 1	Qty : 4 Pcs + 1
G. Wooden cap			
			
Qty : 6 Pcs + 1			

### STEP 1

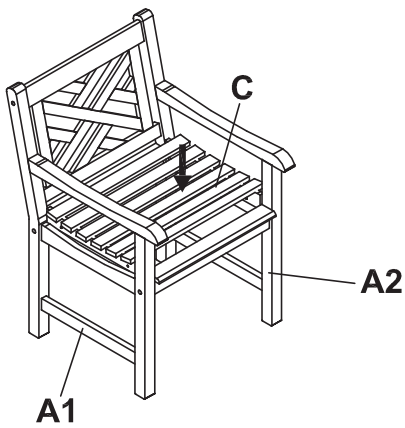


Attach back support (B) and Back apron (D2) into right side frame (A1). secure with 1 1/2" bolts.

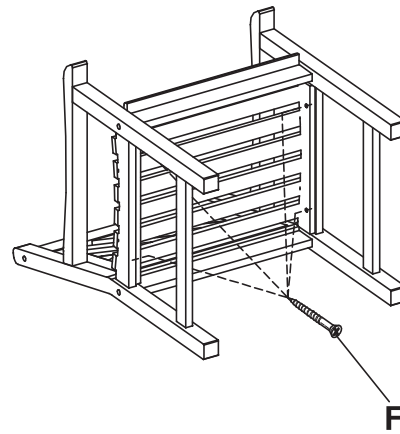
### STEP 2



Attach left side frame (A2) to the assembly from step 1 using 1 1/2" bolts (E).  
**\*DO NOT TIGHTEN BOLTS YET.**

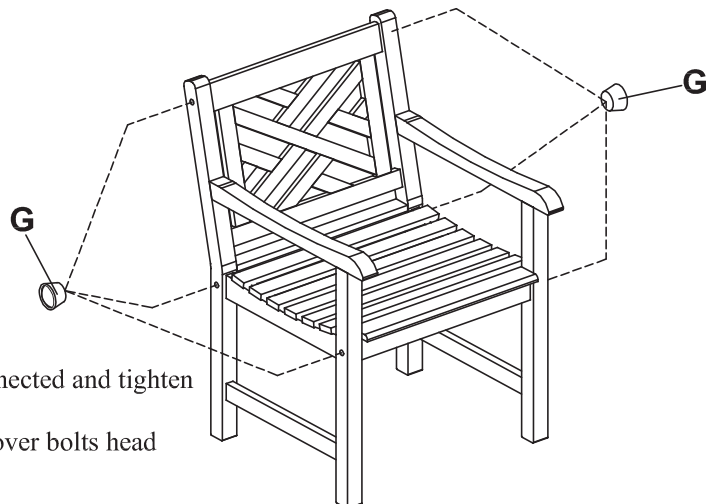


Attach the Seat (C) between right side frame (A1) and left side frame (A2).



Turn the chair and secure the seat (D) with 1" screws (F) as shown. Tighten using Screwdriver.

Upright the chair.



- Make sure all parts are correctly connected and tighten all bolts using screwdriver .
- Tapping in the wooden caps (F) to cover bolts head using rubber mallet.

**CONGRATULATION !**

THE CHAIR IS NOW READY FOR USE.