


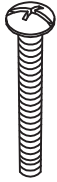




ASSEMBLY INSTRUCTIONS

LIST OF WOODEN PARTS		
NO	DESCRIPTION	Q'TY
A1	RIGHT SIDE FRAME	1 PC
A2	LEFT SIDE FRAME	1 PC
B	TOP FRAME	1 PC
C	FRONT FRAME	1 PC
D	BACK FRAME	1 PC
E	SLATED BASE	1 PC

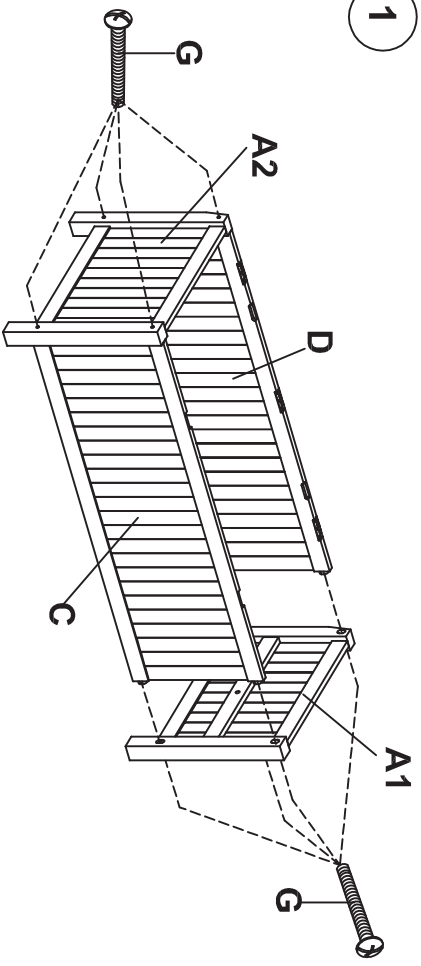
LIST OF HARDWARE PARTS :

- | | | |
|--|--|--|
| F  | H  | J  |
| 5/8" SCREW 9 PCS + 1 | WOODEN CAP 8 PCS + 1 | LID SUPPORT 2 PCS |
| G  | I  | K  |
| 1 3/4" BOLT 8 PCS + 1 | 16 MM SCREW 8 PCS + 1 | LID NUT 2 PCS |

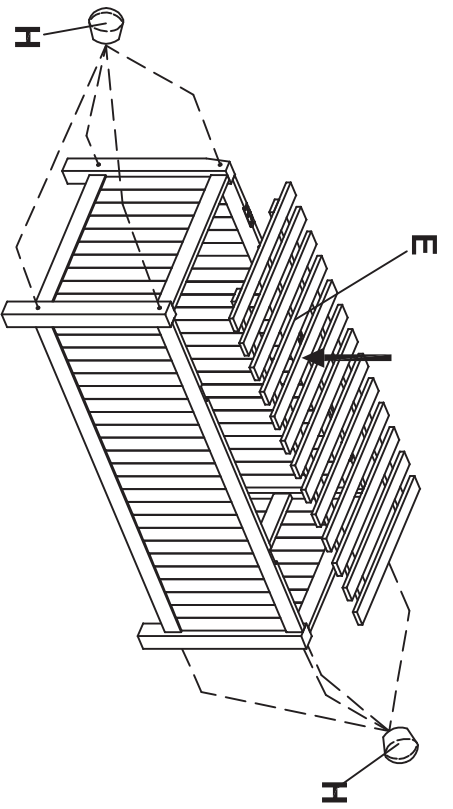
NOTE : 1. PLEASE READ THE INSTRUCTION SHEET CAREFULLY BEFORE YOU START ASSEMBLY.
2. PLEASE DO NOT TIGHTEN THE BOLTS UNTIL ALL BOLTS ARE IN THE CORRECT POSITION AS SHOWN IN THE DIAGRAM.
3. PHILLIP'S SCREWDRIVER IS NEEDED IN ASSEMBLING (NOT PROVIDED).



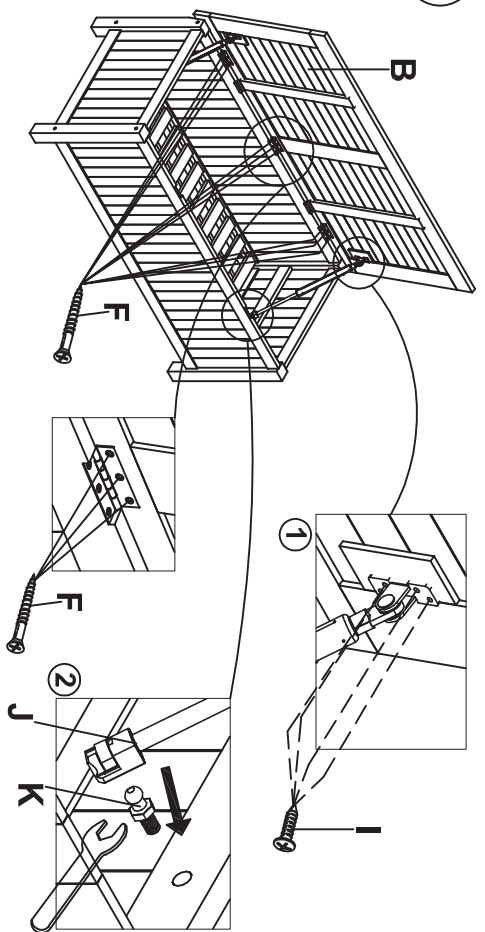
1



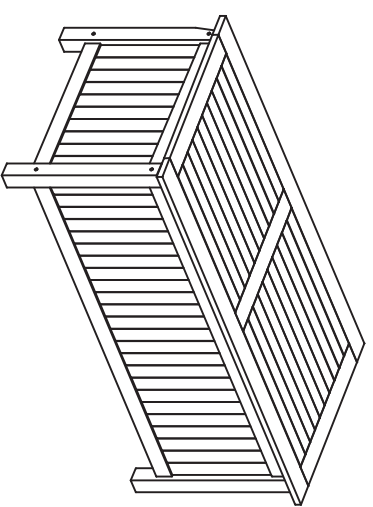
2



3



4



QUESTION ?
Identify all parts and hardware. If any pieces are missing call our toll free number at 1-888-287-4275 from 9:00 am to 5:00 pm CST (Monday to Friday) for replacement parts. *For faster service, have the style number handy when calling.

OK !