









ASSEMBLY INSTRUCTIONS

LIST OF WOODEN PARTS		
NO.	DESCRIPTION	Q'TY
A	LOUNGER PANEL	1 PC
B1	RIGHT FRONT LEG	1 PC
B2	LEFT FRONT LEG	1 PC
C1	RIGHT BACK LEG	1 PC
C2	LEFT BACK LEG	1 PC
D	CROSS BAR	2 PCS
E	WHEEL	2 PCS
F	WOODEN SLIDE	2 PCS
G	SERVING TRAY	1 PC

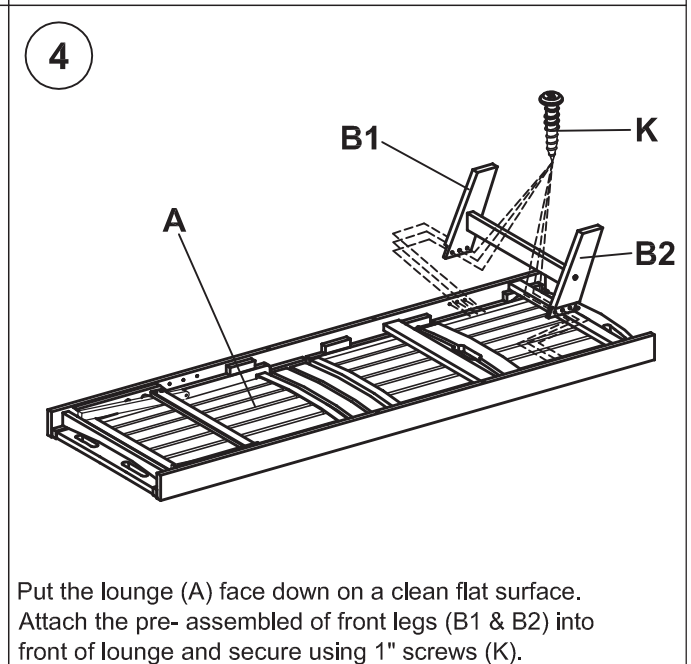
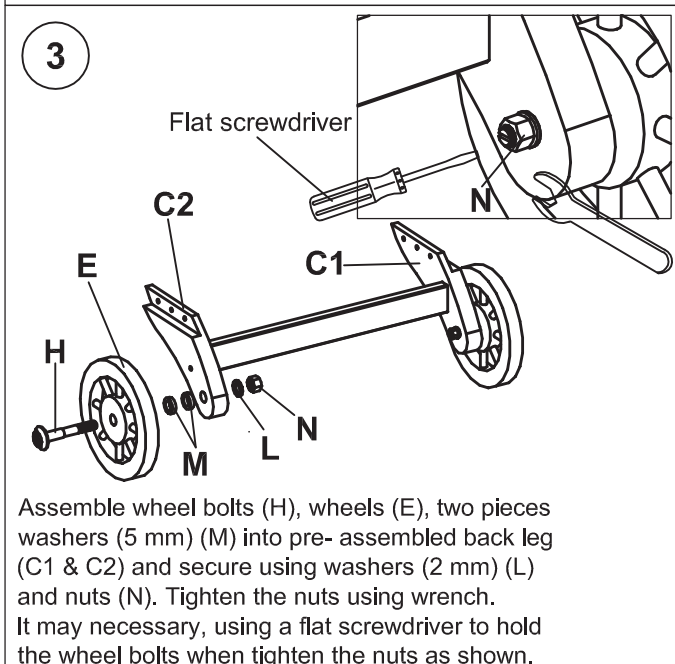
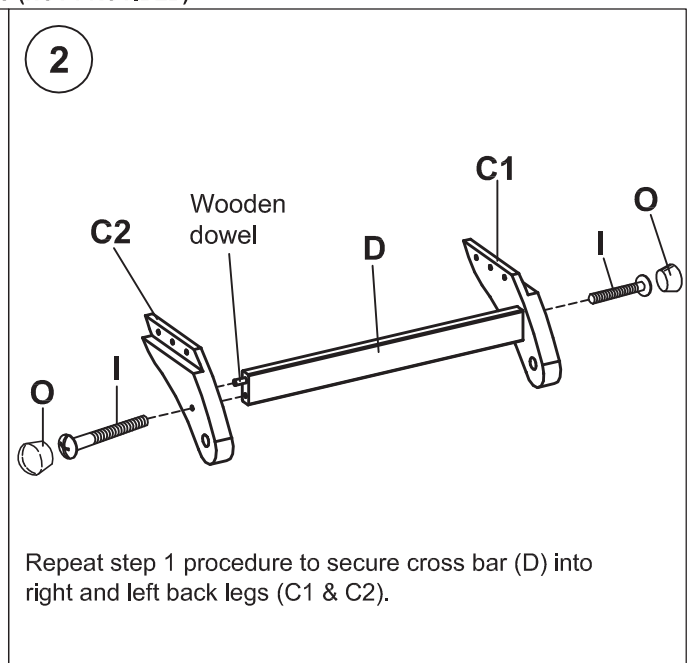
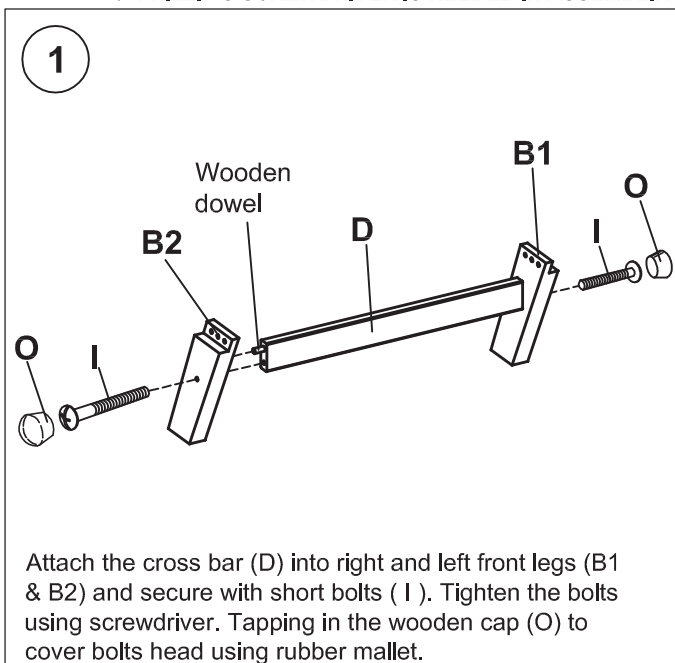
QUESTION ?

Identify all parts and hardware. If any pieces are missing call our toll free number at 1-888-287-4275 from 9:00 am to 5:00 pm CST (Monday to Friday) for replacement parts. For faster service, have the style number handy when calling.

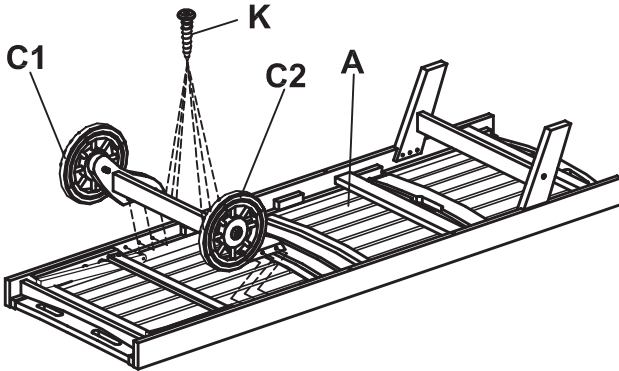
LIST OF HARDWARE PARTS :

H	 WHEEL BOLT 2 PCS	L	 2" WASHER 2 PCS
I	 SHORT BOLT 4 PCS + 1	M	 5" WASHER 4 PCS
J	 LONG BOLT 4 PCS + 1	N	 NUT 2 PCS
K	 1" SCREW 12 PCS + 1	O	 WOODEN CAP 4 PCS + 1

- NOTE : 1. PLEASE READ THE INSTRUCTION SHEET CAREFULLY BEFORE YOU START ASSEMBLY.
 2. PLEASE DO NOT TIGHTEN THE BOLTS UNTIL ALL BOLTS ARE IN THE CORRECT POSITION AS SHOWN IN THE DIAGRAM.
 3. PHILLIP'S SCREWDRIVER IS NEEDED IN ASSEMBLING (NOT PROVIDED).

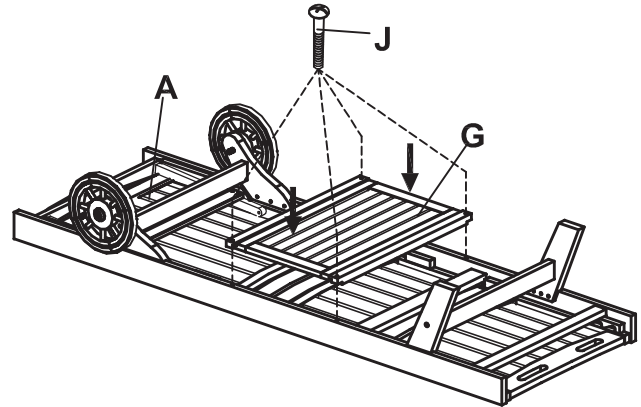
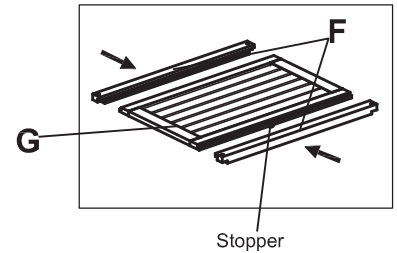


5



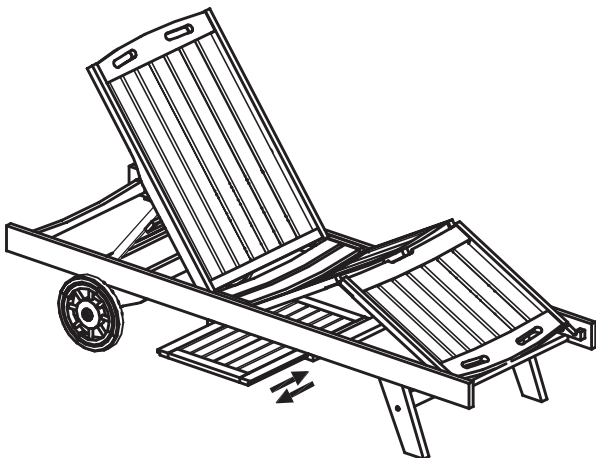
Repeat the step 4 procedure to secure the pre-assembled of back legs with wheel (C1 & C2) into the lounge (A).

6



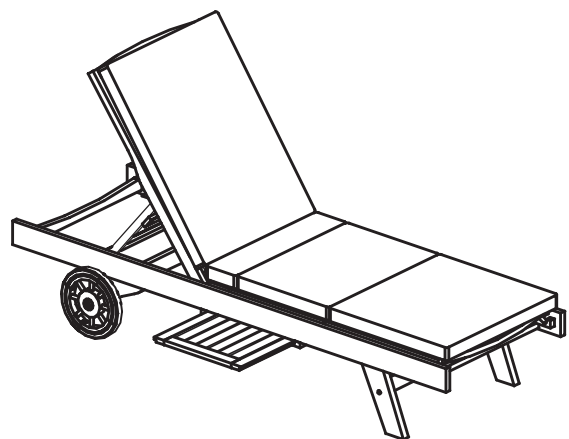
Insert both wooden slides (F) into side of serving tray (G) as diagram shown.
Next, attach the pre- assembled of tray onto lounge (A) (tray with stopper must be attached in bottom position).
Secure using four long bolts (J) as shown.

7



- Make sure all parts are correctly connected and tighten all bolts and screws using screwdriver.
- Upright the lounge.
- There are four possible position to adjust the backrest.

8



Install the cushion onto the chaise lounge.

THE CHAISE LOUNGE IS NOW READY FOR USE.