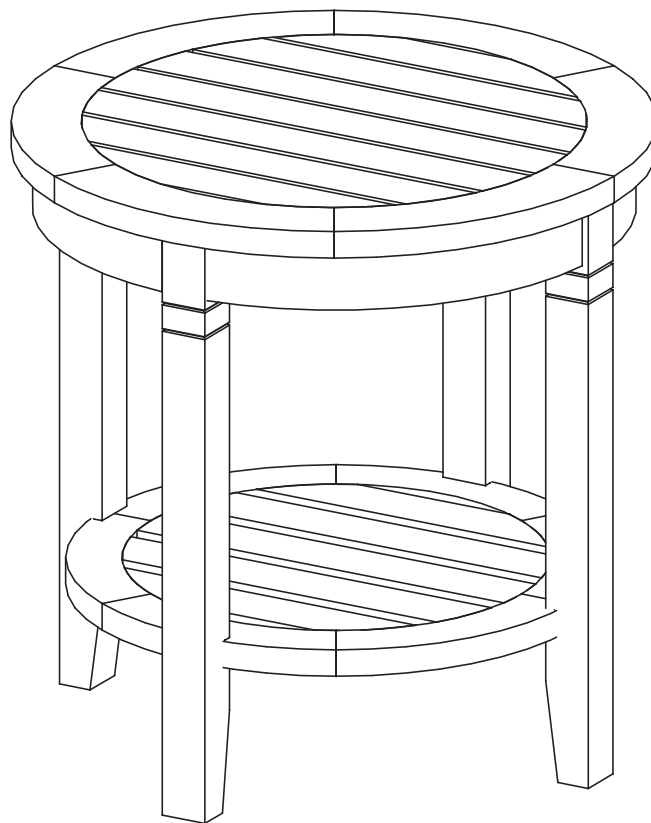


ASSEMBLY INSTRUCTIONS
TEAK END TABLE
IT-180670T



CUSTOMER SERVICE INFORMATION

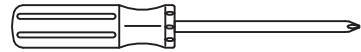
Please do not return to the store. If any pieces are missing call our toll free number at 1-888-287-4275 from 9:00 am to 5.00 pm CST (Monday to Friday) for replacement parts. For faster service, have the style number handy when calling.

GENERAL INFORMATION & TIPS

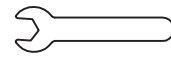
1. Please read the assembly instructions prior to assembling the Table.
2. To avoid damage, assemble the Table on a non-abrasive surface such as carpet.
3. Make sure all nuts and screw tightly fastened before the table is used.
4. This table is not for commercial use.

Please make sure you have all parts before beginning assembly. Please wait until all steps are completed before tightening nuts and screw.

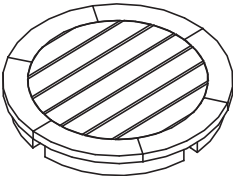
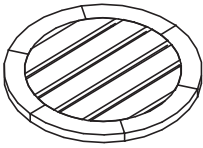




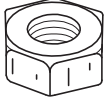
1. 8" Philips screwdriver
- For tightening all bolts and screws.



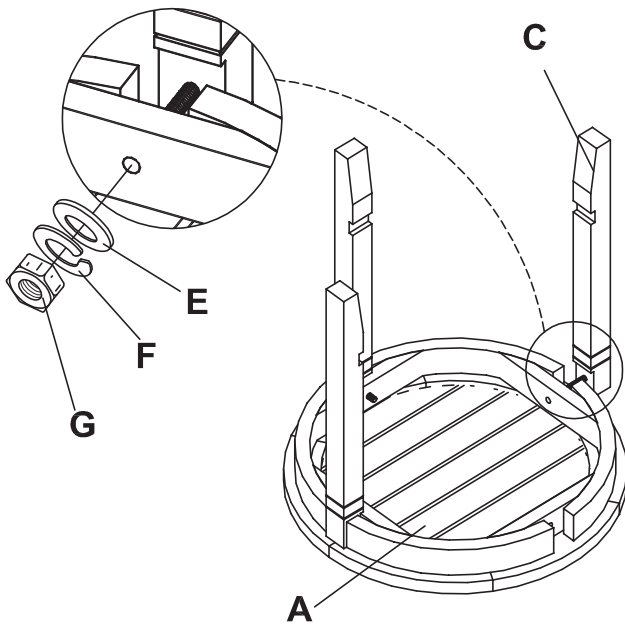
2. Wrench
- For tighten all Nuts. (INCLUDED)



PARTS AND HARDWARE LIST

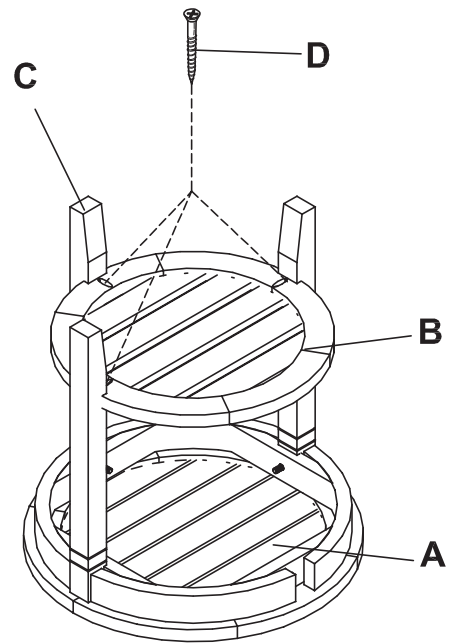
A. Top Table	B. Tray	C. Leg	D. 1 1/4" Screw
			
Qty : 1 Pc	Qty : 1 Pc	Qty : 4 Pcs	Qty : 4 Pcs + 1
E. Washer	F. Spring Washer	G. Nut	
			
Qty : 4 Pcs + 1	Qty : 4 Pcs + 1	Qty : 4 Pcs + 1	

STEP 1



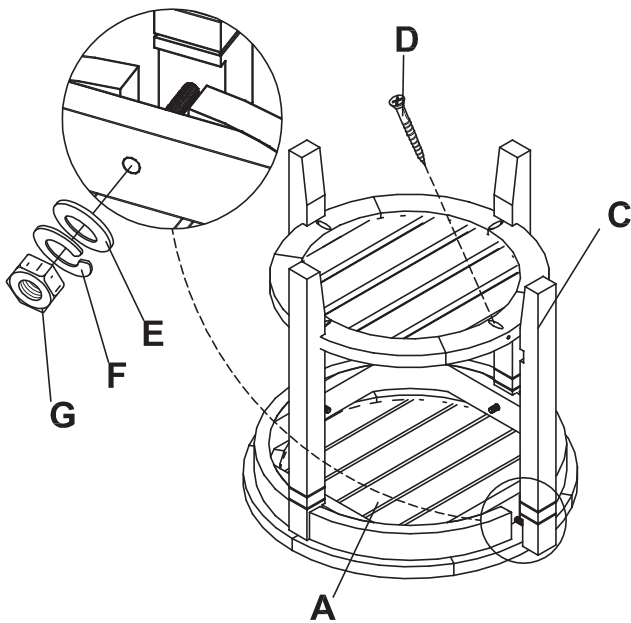
- Attach 3 the Legs (C) into Top table (A) and secure each leg with washers (E), Spring Washers (F) and Nuts (G).
- DO NOT FULLY TIGHTEN ALL NUTS YET

STEP 2



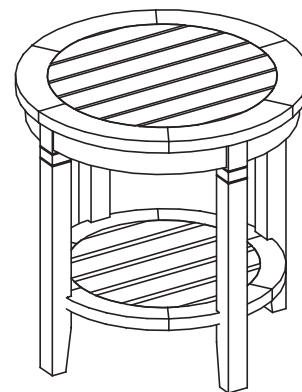
- Attach the Tray (B) to the legs (C). Secure using 1 1/4" screws (D).

STEP 3



- Attach the other leg (C) into the top table (A) and tray (B) as diagram shown.
- Secure the leg (C) by repeating step 1 and step 2.

STEP 4



- Make sure all parts are correctly connected and tighten all nuts using wrench and screws using screwdriver.

CONGRATULATION !

THE END TABLE IS NOW READY FOR USE.