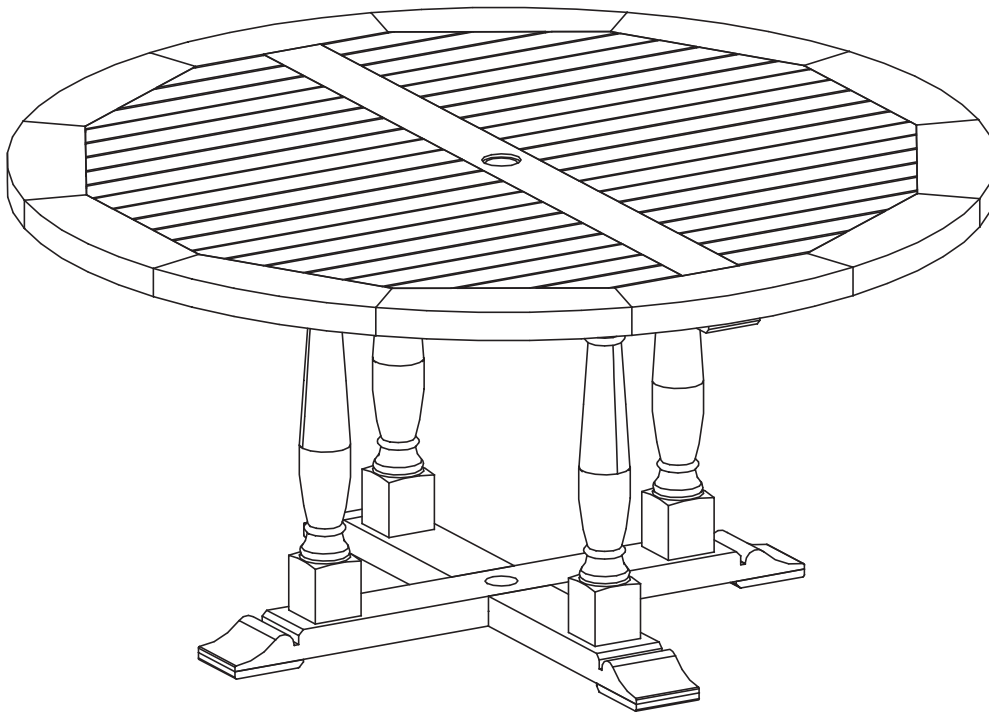


ASSEMBLY INSTRUCTIONS

ROUND DINING TABLE IT-320748



CUSTOMER SERVICE INFORMATION

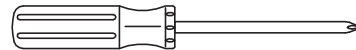
Please do not return to the store. If any pieces are missing call our toll free number at 1-888-287-4275 from 9:00 am to 5:00 pm CST (Monday to Friday) for replacement parts. For faster service, have the style number handy when calling.

GENERAL INFORMATION & TIPS

1. Please read the assembly instructions prior to assembling the table.
2. To avoid damage, assemble the table on a non-abrasive surface such as carpet.
3. Make sure all bolts tightly fastened before the table is used.
4. This table is not for commercial use.

Please make sure you have all parts before beginning assembly. Please wait until all steps are completed before tightening bolts.

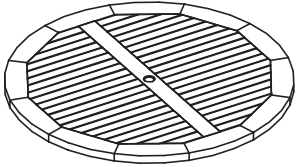

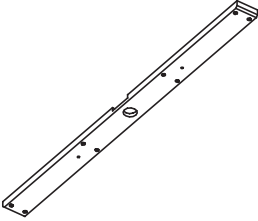
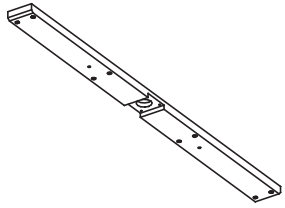
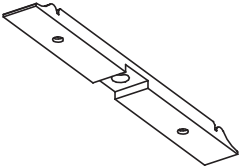
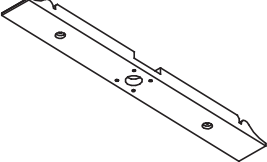

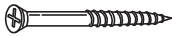
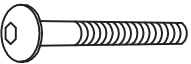
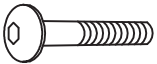


1. A Phillips screwdriver is necessary for assembly it's not included in hardware list.



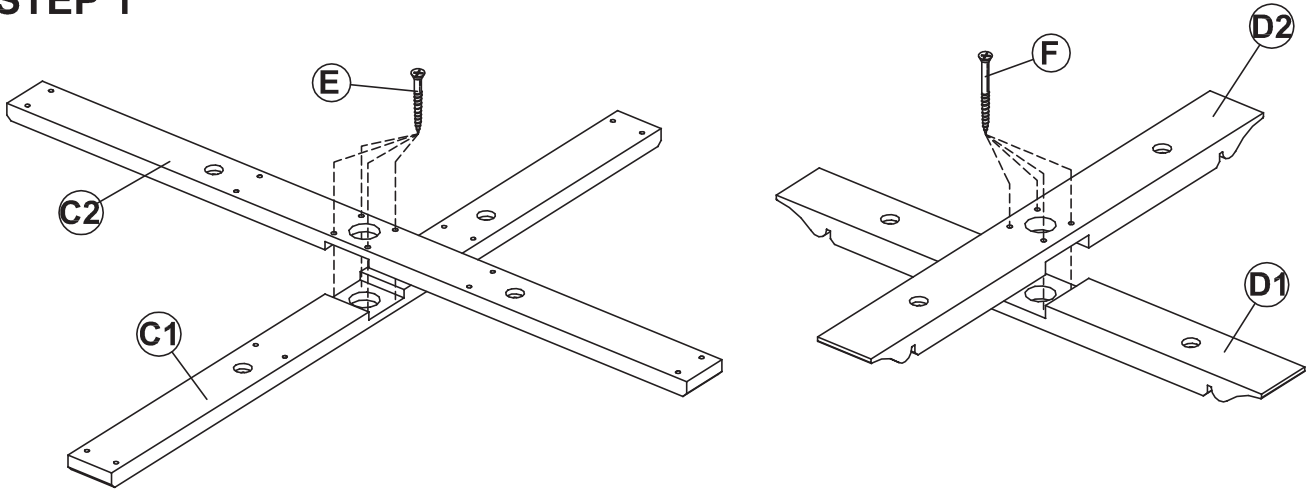
2. Allen key 5mm for assembly.



PARTS AND HARDWARE LIST

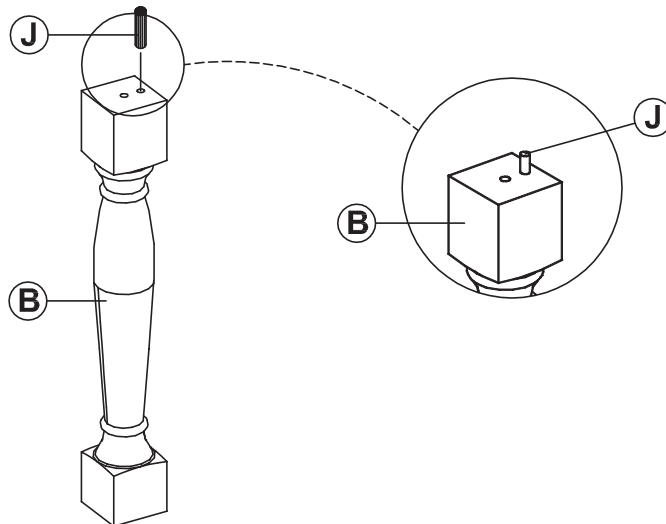
A. Top table	B. Leg frame	C1. Crossbar up	C2. Crossbar up
			
QTY: 1 pc	QTY: 4 pcs	QTY: 1 pc	QTY: 1 pc
D1. Crossbar down	D2. Crossbar down	E. Screw 1"	F. Screw 1 1/2"
			
QTY: 1 pc	QTY: 1 pc	QTY: 4 pcs + 1	QTY: 4 pcs + 1
G. Bolt "L" 2"	H. Bolt "L" 1 1/2"	I. Bolt 1 1/2"	J. Dowel wood
			
QTY: 4 pcs + 1	QTY: 4 pcs + 1	QTY: 16 pcs + 1	QTY: 4 pcs + 1

STEP 1



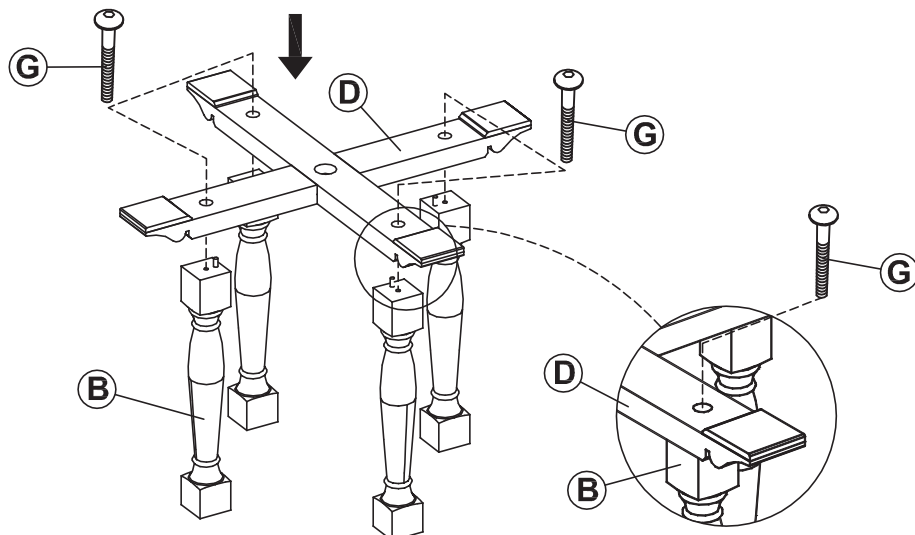
- Attach the cross bar down (D1&D2) secure using screw 1 1/2" (F) and attach cross bar up (C1&C2) secure using screw 1"(E)
Fully tighten bolts with screwdriver (not included in hardware list).

STEP 2



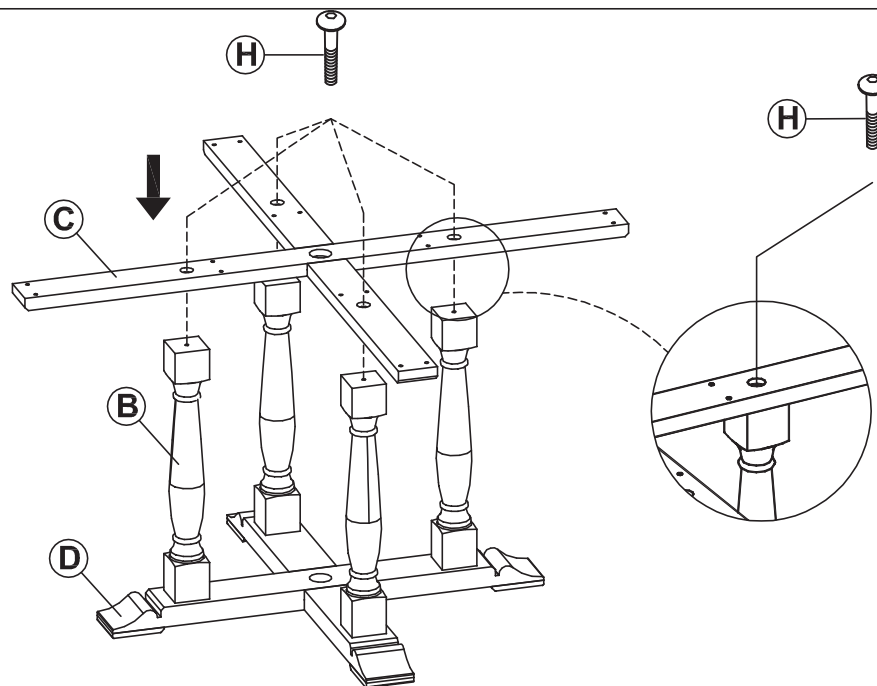
- Attach Dowel wood (J) to leg frame(B).

STEP 3



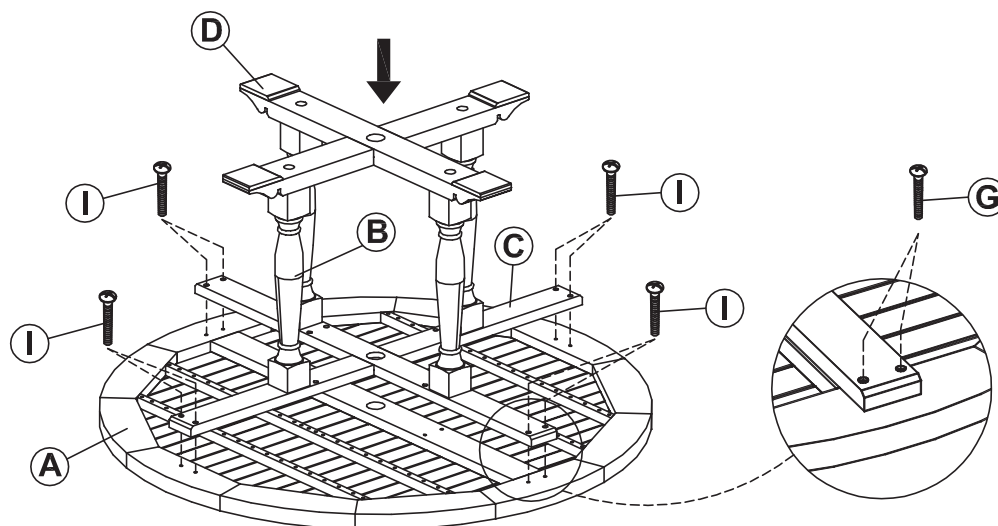
- Attach the cross bar down (D) to the leg frame(B) secure using Bolt "L" 2"(G) with allen key. Fully tighten the bolts using allen key.

STEP 4



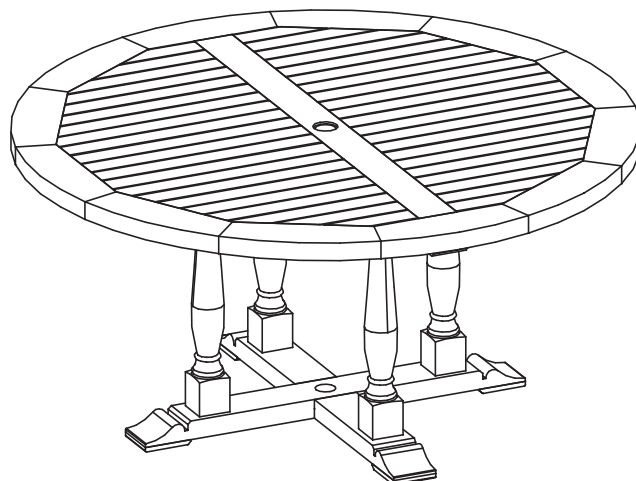
- Attach Cross bar up (C) to leg frame (B). Secure using Bolt "L" 1 1/2" (H) with allen key. Fully tighten bolt with allen key.

STEP 5



- Attach the top table and the assembly from step 4 to the matching holes. Secure using Bolt 1 1/2" (I) to holes, with screwdriver (not provided), position as shown. Fully tighten bolts with screwdriver (not included in hardware list).

STEP 6



CONGRATULATION !
The Round dining table now ready for use.