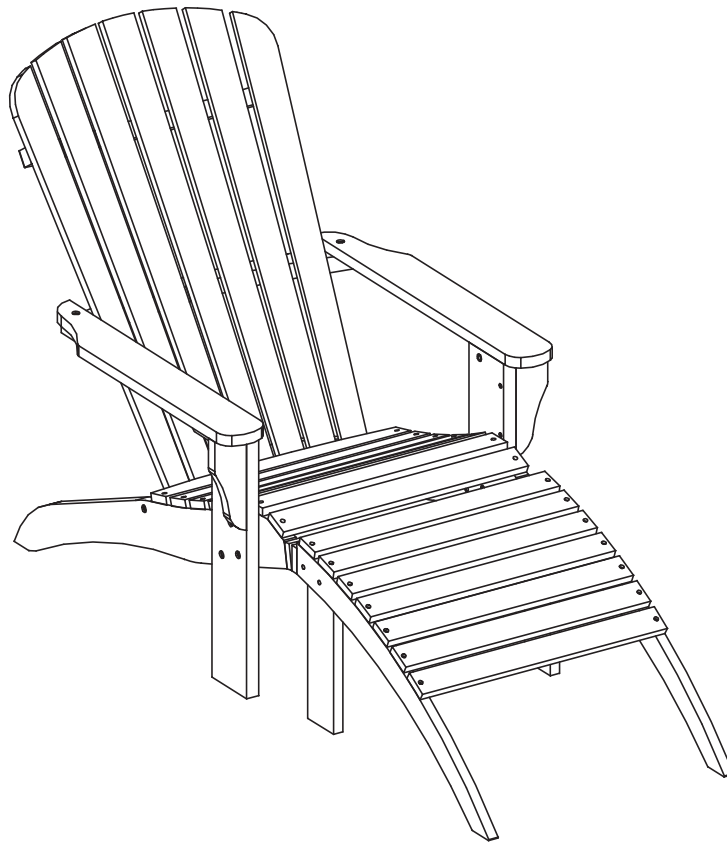


ASSEMBLY INSTRUCTIONS
ADIRONDACK AND STOOL
SET-240301



CUSTOMER SERVICE INFORMATION

Please do not return to the store. If any pieces are missing call our toll free number at 1-888-287-4275 from 9:00 am to 5.00 pm CST (Monday to Friday) for replacement parts. For faster service, have the style number handy when calling.

GENERAL INFORMATION & TIPS

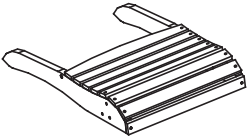
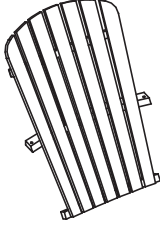

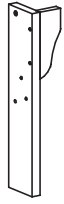
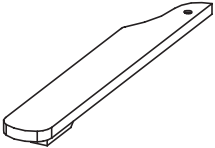
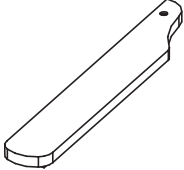
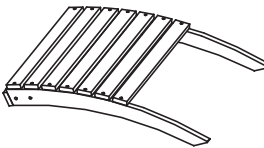



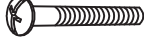
1. Please read the assembly instructions prior to assembling the table.
2. To avoid damage, assemble the table on a non-abrasive surface such as carpet.
3. Make sure all bolts tightly fastened before the table is used.
4. This table is not for commercial use.

Please make sure you have all parts before beginning assembly. Please wait until all steps are completed before tightening bolts.

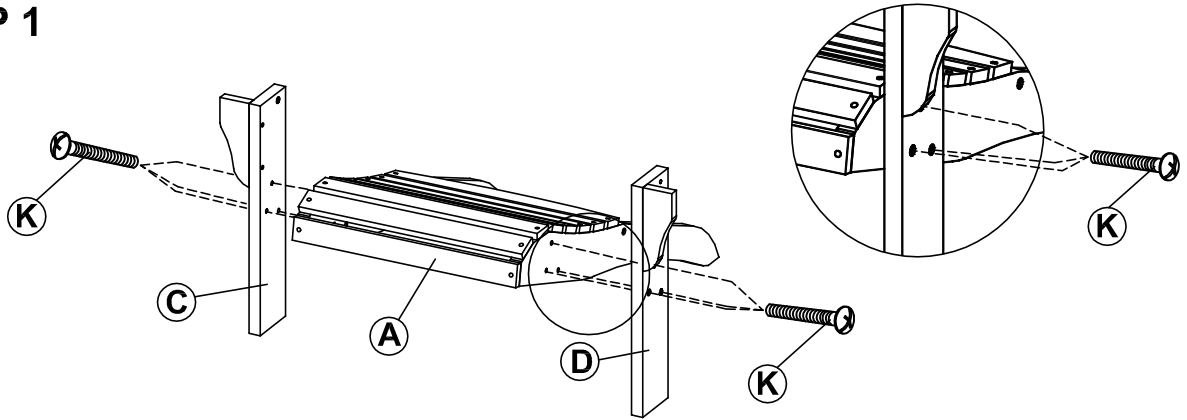
1. A Phillips screwdriver is necessary for assembly it's not included in hardware list.



PARTS AND HARDWARE LIST

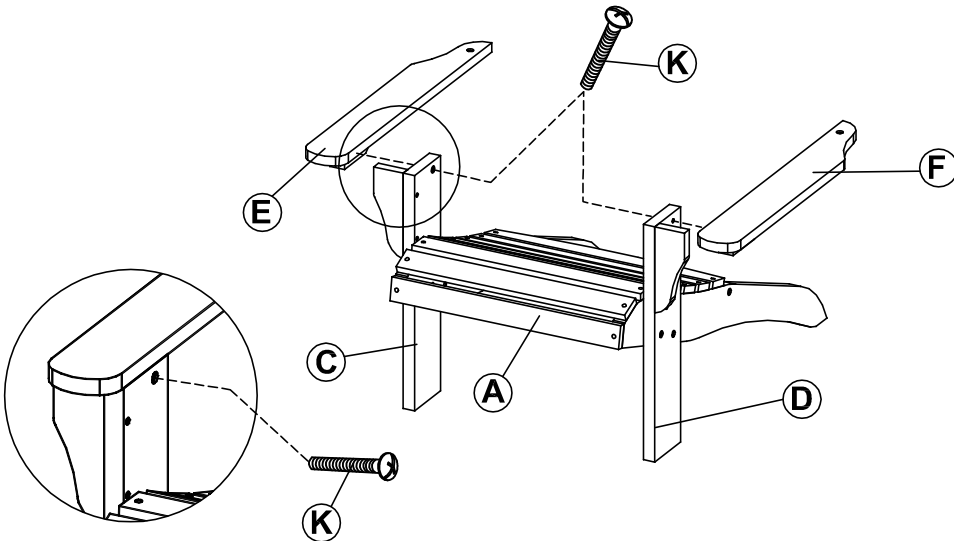
A. Seat	B. Backrest	C. Right leg frame	D. Left leg frame
			
QTY: 1 pc	QTY: 1 pc	QTY: 1 pc	QTY: 1 pc
E. Right arm frame	F. Left arm frame	G. Stool	H. Right leg stool
			
QTY: 1 pc	QTY: 1 pc	QTY: 1 pc	QTY: 1 pc
I. Left leg stool	J. 1 1/2" Bolt	K. 1 3/4" Bolt	
			
QTY: 1 pc	QTY: 6 pcs + 2	QTY: 10 pcs + 1	

STEP 1



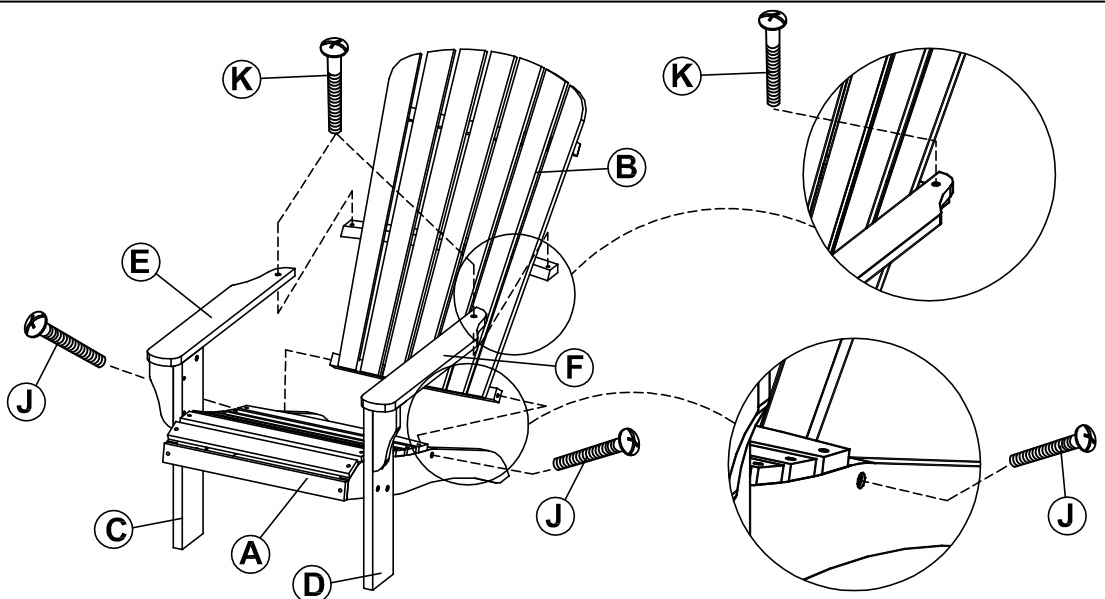
- Attach the right and left leg frame (C & D) to seat as shown. Secure using 1 3/4" bolts (K). Don't fully tighten at this step.

STEP 2



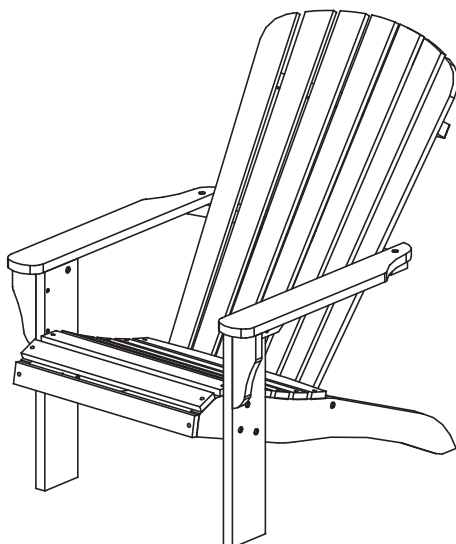
- Attach the right and left arm frame (E & F) into right and left leg frame (C & D). Secure using 1 3/4" bolts (K), as shown.

STEP 3



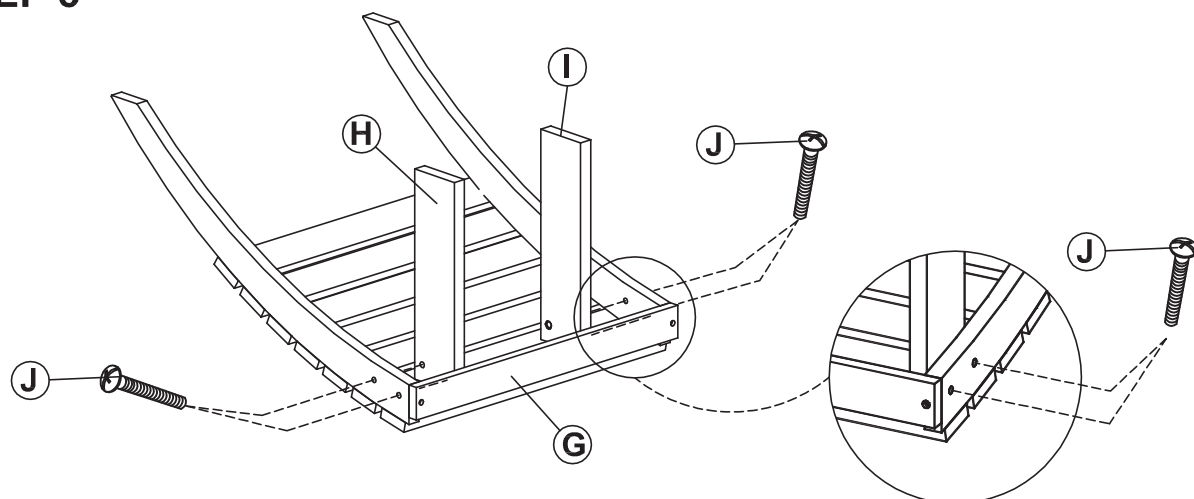
- Attach the backrest (B) to matching holes of arm (E&F) 1 3/4" bolts (K) and to seat (A) using 1 1/2" bolts (J).

STEP 4



- Fully tighten all bolts completely using screwdriver (not included in hardware list).

STEP 5



- Attach the right and left leg stool (H&I) to stool (G) with 1 1/2" bolts (J). Tighten using phillips screwdriver, not included. Turn stool upright

STEP 6



CONGRATULATION !
The adirondack and stool now ready for use.