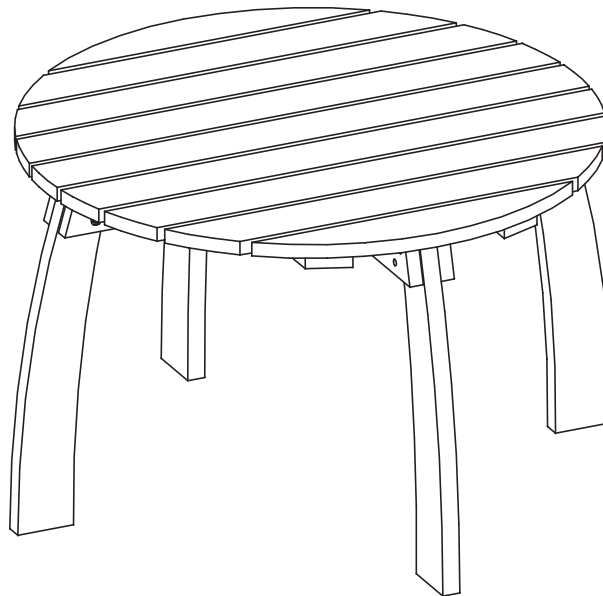


ASSEMBLY INSTRUCTIONS
ROUND END TABLE
IT-180695



CUSTOMER SERVICE INFORMATION

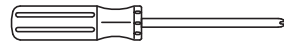
Please do not return to the store. If any pieces are missing call our toll free number at 1-888-287-4275 from 9:00 am to 5.00 pm CST (Monday to Friday) for replacement parts. For faster service, have the style number handy when calling.

GENERAL INFORMATION & TIPS

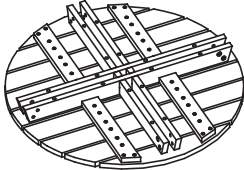
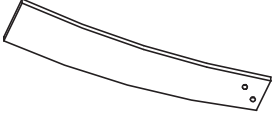

1. Please read the assembly instructions prior to assembling the table.
2. To avoid damage, assemble the table on a non-abrasive surface such as carpet.
3. Make sure all bolts tightly fastened before the table is used.
4. This table is not for commercial use.

Please make sure you have all parts before beginning assembly. Please wait until all steps are completed before tightening bolts.

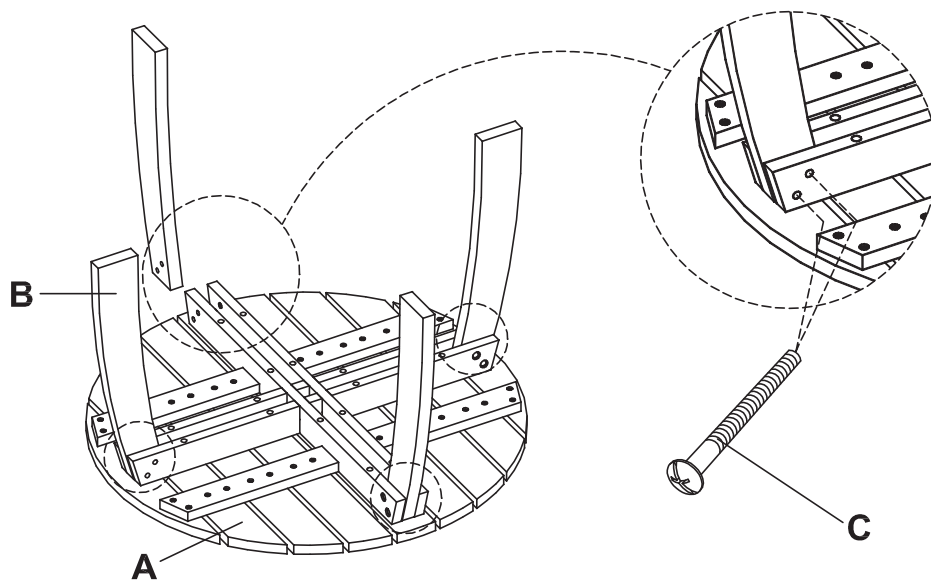
1. A Phillips screwdriver is necessary for assembly.
it's not included in hardware list



PARTS AND HARDWARE LIST

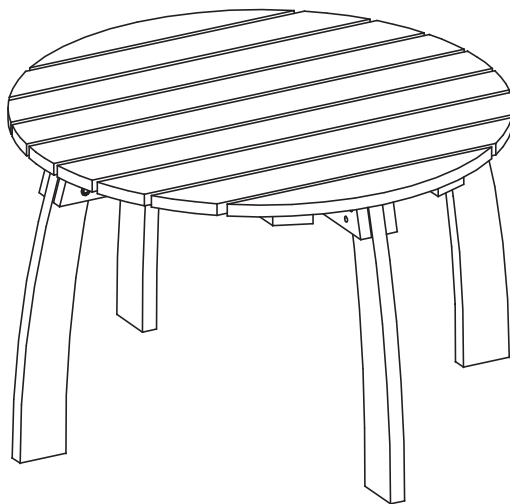
A. Table Top	B. Leg	C. 2" Bolt
		
QTY: 1 pc	QTY: 4 pcs	QTY: 8 pcs + 1

STEP 1



- Attach leg (B) into support of table top (A). secure using 2" bolts (C). To support of table top (A) with screwdriver, position as shown. Tighten bolts using screwdriver, provided.

STEP 2



CONGRATULATION !

THE TABLE IS NOW READY FOR USE.