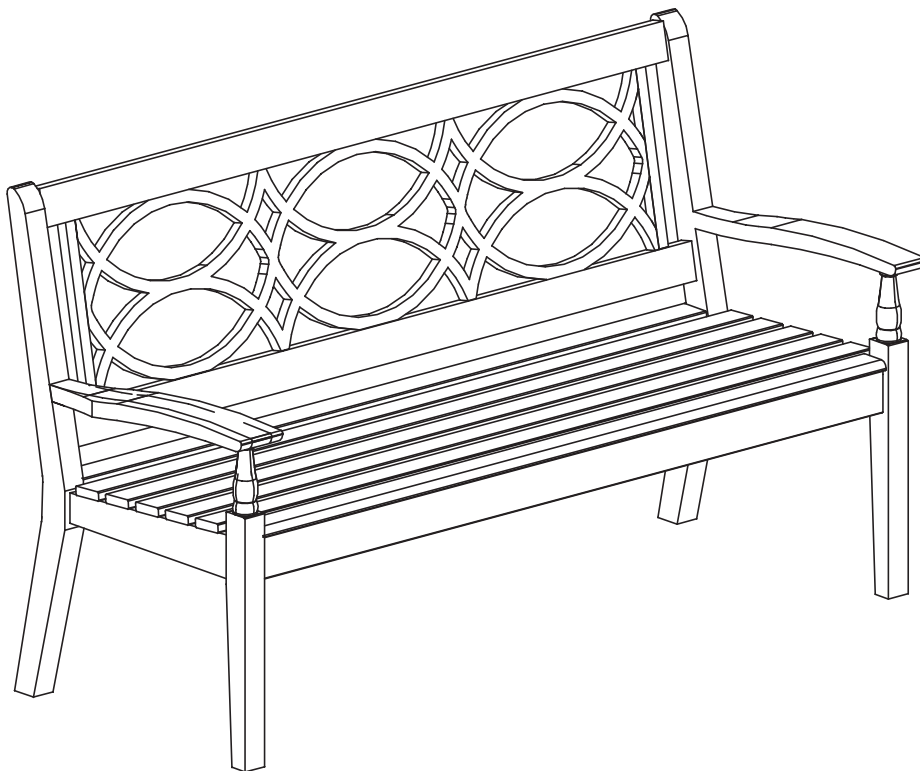


**ASSEMBLY INSTRUCTIONS**  
**RENLEY 5" BENCH**  
**IT-150630**



**CUSTOMER SERVICE INFORMATION**

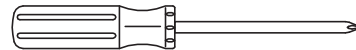
**Please do not return to the store. If any pieces are missing call our toll free number at 1-888-287-4275 from 9:00 am to 5.00 pm CST (Monday to Friday) for replacement parts. For faster service, have the style number handy when calling.**

## GENERAL INFORMATION & TIPS

1. Please read the assembly instructions prior to assembling the bench.
2. To avoid damage, assemble the bench on a non-abrasive surface such as carpet.
3. Make sure all screws tightly fastened before the bench is used.
4. This bench is not for commercial use.

Please make sure you have all parts before beginning assembly. Please wait until all steps are completed before tightening screws.

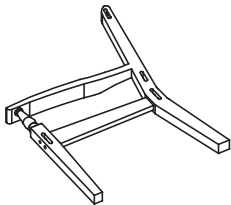
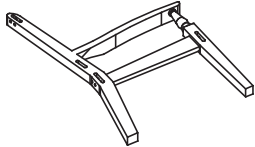
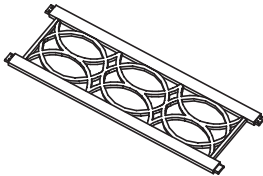
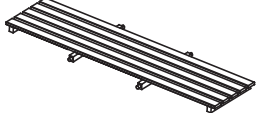
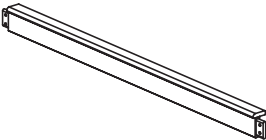
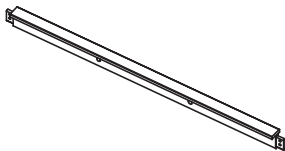


1. A Phillips screwdriver is necessary for assembly  
it's not included in hardware list.



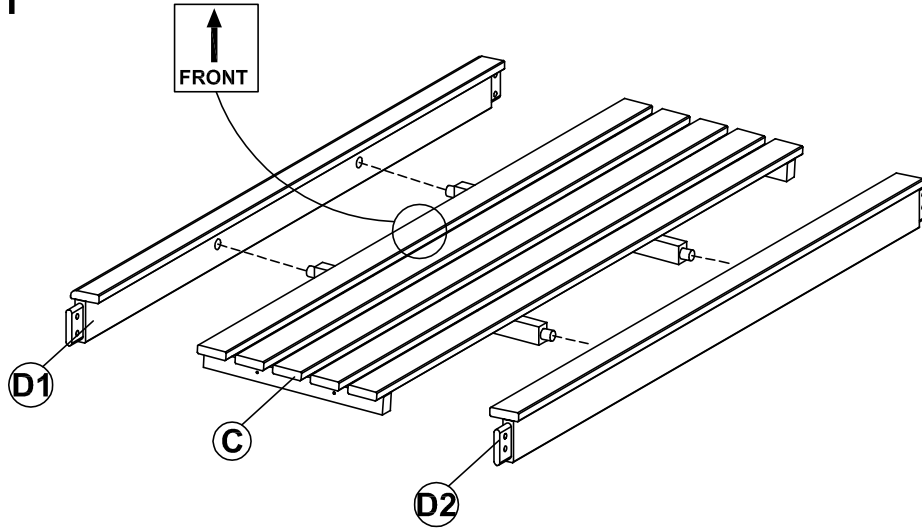
2. Rubber mallet for tapping in the dowel wood  
it's not included in hardware list.



## PARTS AND HARDWARE LIST

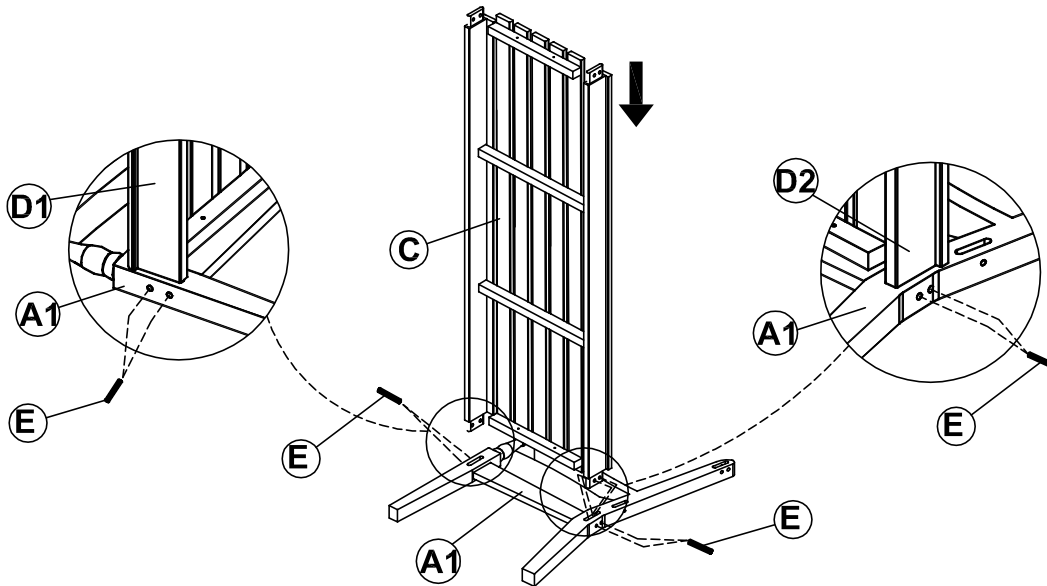
| A1. Right frame   | A2. left frame  | B. Back support  | C. Seat   |
|---|---|--|---|
|  |  |  |  |
| QTY: 1 pc   | QTY: 1 pc   | QTY: 1 pc  | QTY: 1 pc   |
| D1. Front apron   | D2. Back apron  | E. Dowel wood  | F. Screw 1 1/2"   |
|  |  |  |  |
| QTY: 1 pc   | QTY: 1 pc   | QTY: 14 pcs + 1  | QTY: 4 pcs + 1  |

# STEP 1



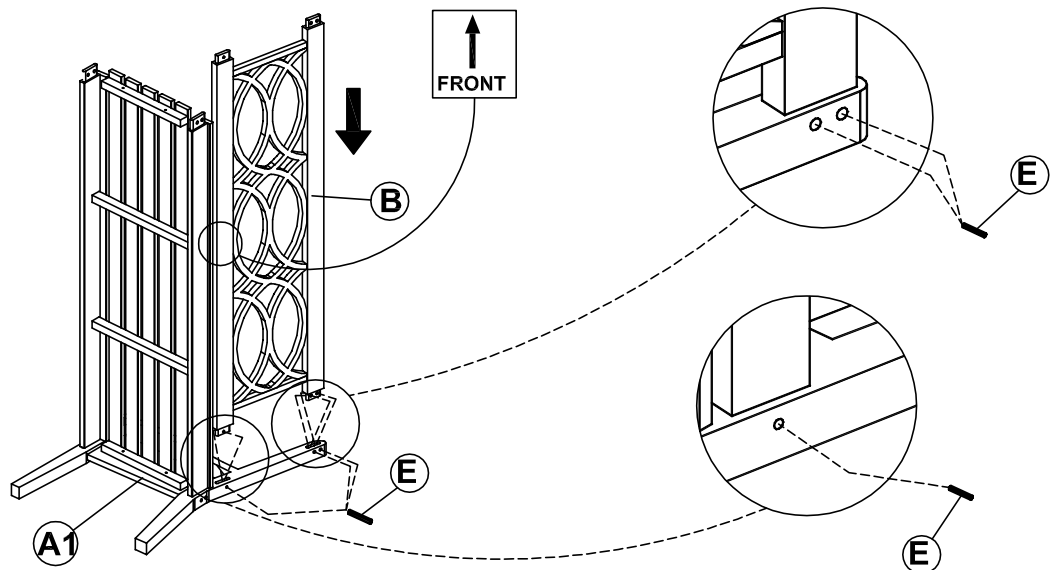
- Attach the front and back apron (D1&D2) to the seat (C).

# STEP 2



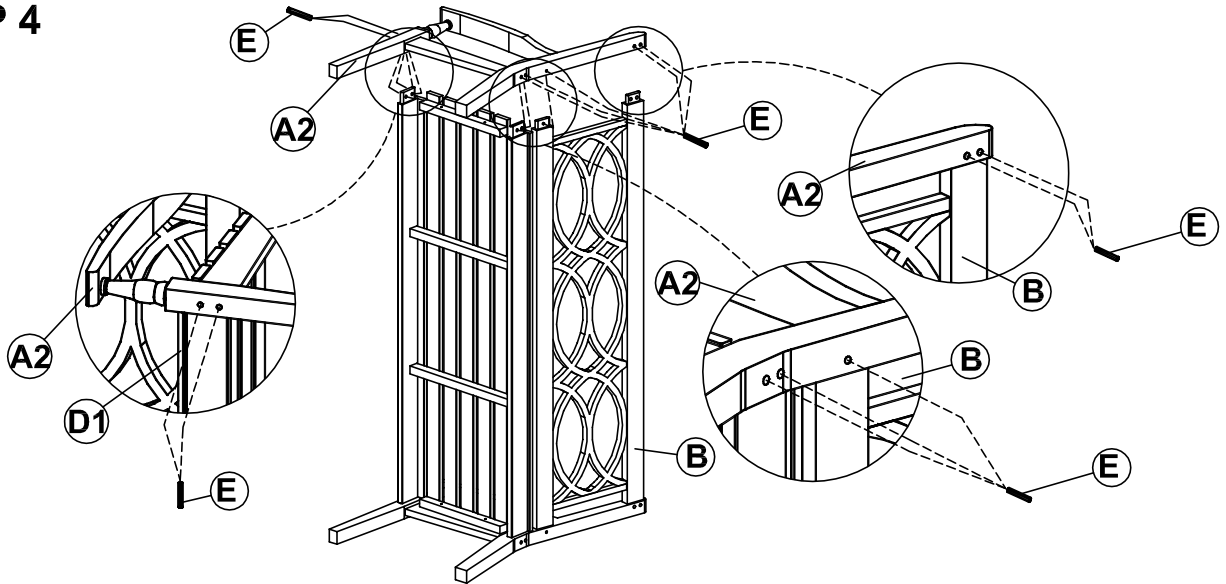
- Attach pre assembly from step 1 into right frame (A1). Secure using Dowel wood (E), as shown.

# STEP 3



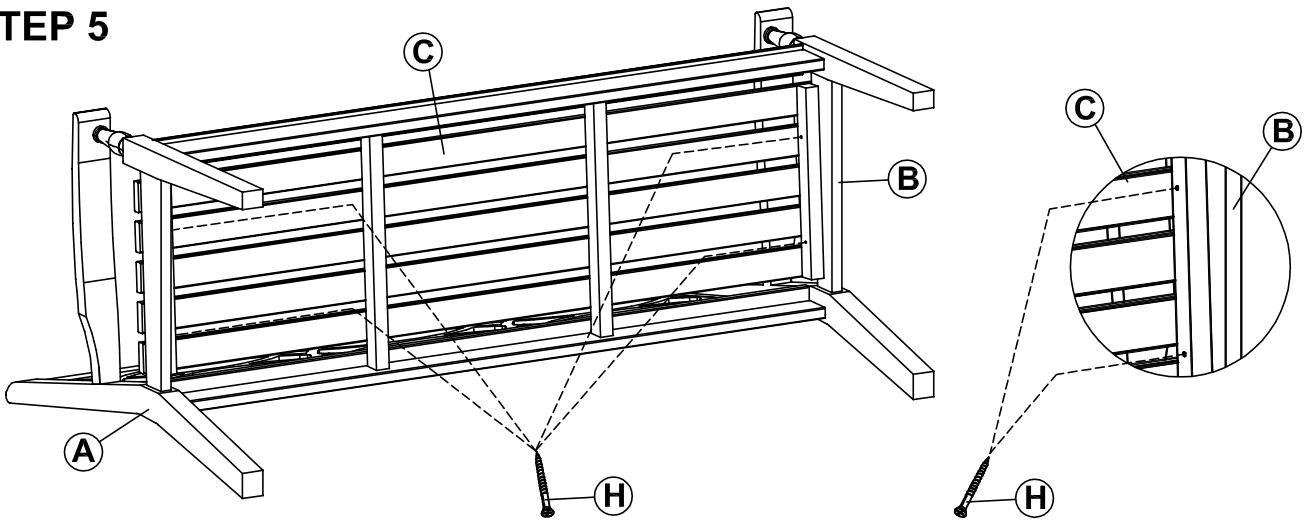
- Attach the back support (B) into right frame (A1) to the matching holes. Secure using Dowel wood (E), position as shown.

## STEP 4



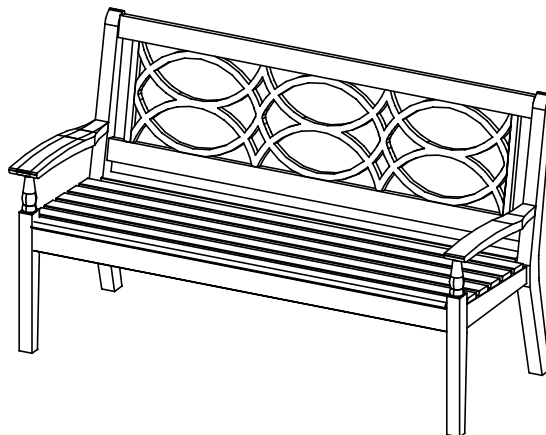
- Attach the left frame (A2) to apron and back support (B) secure using Dowel wood (E).
- Make sure all are correctly and hit all dowel wood with rubber mallet (not provided).

## STEP 5



- Secure the seat (C) using 1 1/2" screws(F) into side frame.position as shown.

## STEP 6



CONGRATULATION !  
The renley 5" bench now ready for use.