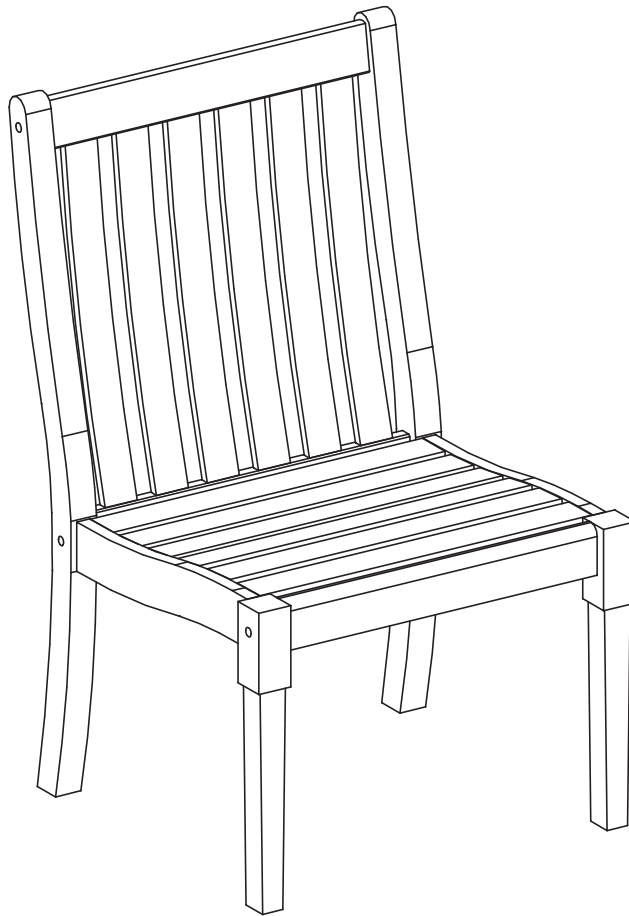


ASSEMBLY INSTRUCTIONS

RENLEY 2 PK DINING SIDE CHAIR CC-110003



CUSTOMER SERVICE INFORMATION

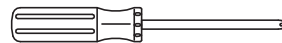
Please do not return to the store. If any pieces are missing call our toll free number at 1-888-287-4275 from 9:00 am to 5.00 pm CST (Monday to Friday) for replacement parts. For faster service, have the style number handy when calling.

GENERAL INFORMATION & TIPS

1. Please read the assembly instructions prior to assembling the chair.
2. To avoid damage, assemble the chair on a non-abrasive surface such as carpet.
3. Make sure all bolts tightly fastened before the chair is used.
4. This chair is not for commercial use.

Please make sure you have all parts before beginning assembly. Please wait until all steps are completed before tightening bolts.

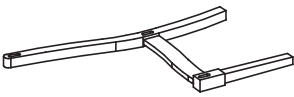
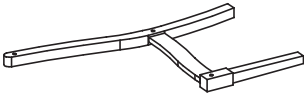
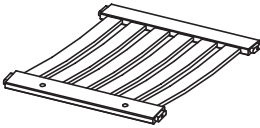
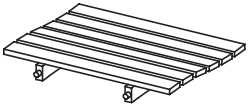
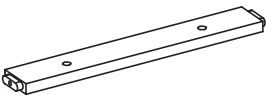
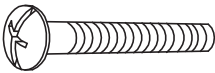
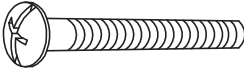

1. A Phillips screwdriver is necessary for assembly.
It's not included in hardware list.



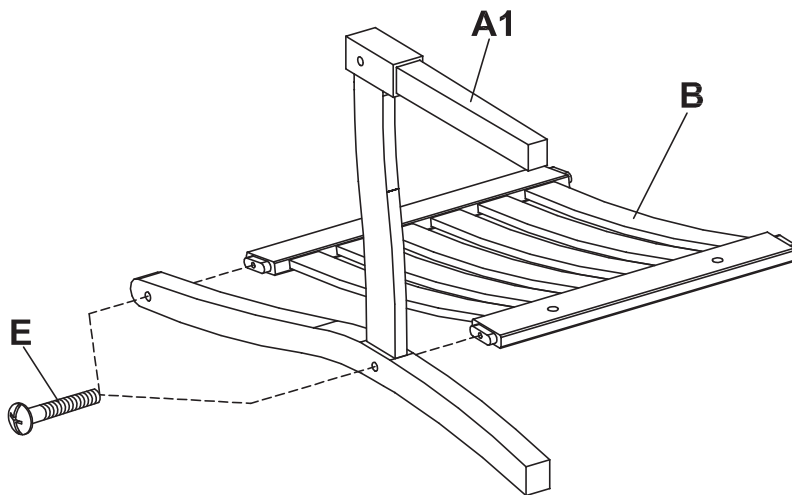
2. A Rubber mallet is necessary for assembly.
It's not included in hardware list.



PARTS AND HARDWARE LIST

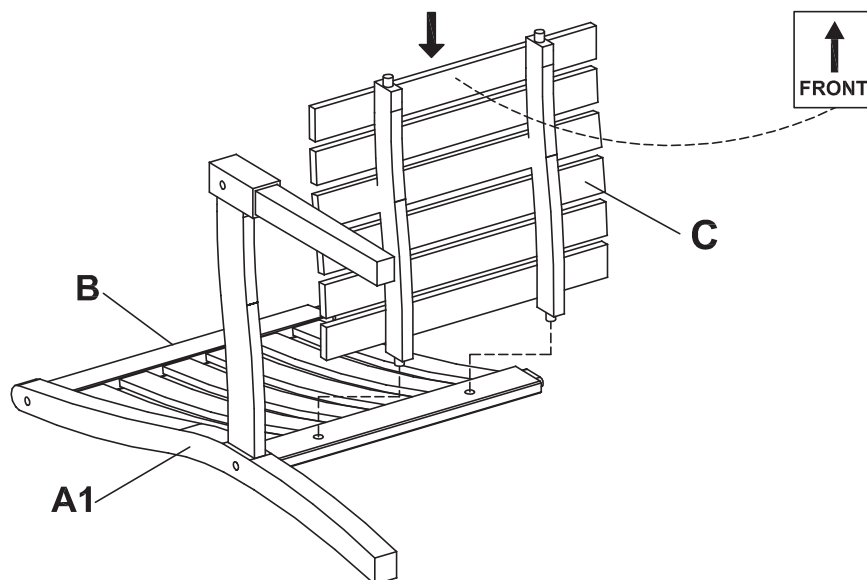
A1. Right side frame	A2. Left side frame	B. Back support	C. Seat
			
QTY: 1 pc	QTY: 1 pc	QTY: 1 pc	QTY: 1 pc
D. Apron	E. 1 1/2" Bolt	F. 2" Bolt	G. Wooden Cap
			
QTY: 1 pc	QTY: 4 pcs + 1	QTY: 2 pcs + 1	QTY: 6 pcs + 1

STEP 1



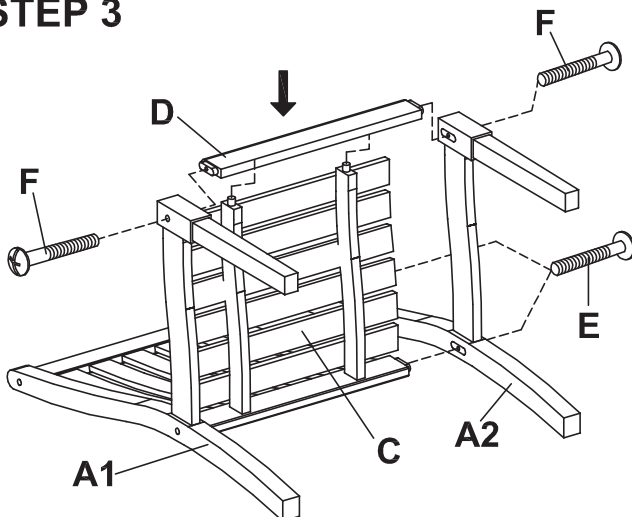
- Insert back support (B) into holes of right side frame (A1). And secure using 1 1/2" bolts (E).
- **DO NOT FULL TIGHTEN ALL BOLTS YET.**

STEP 2



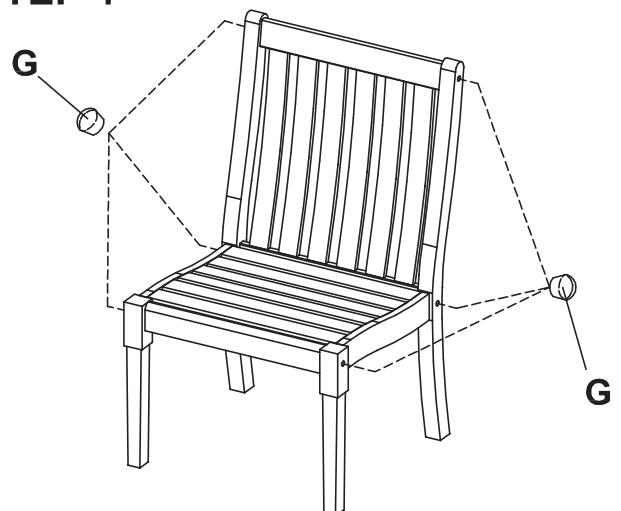
- Put the seat (C) onto back support (B).

STEP 3



- Attach apron (D) onto seat (C) and right side frame (A1).
- Secure using 2" bolt (F), As shown.
- Attach pre-assembled into holes of left side frame (A2) and secure using 1 1/2" bolts (E) and 2" bolt (F).

STEP 4



- Make sure all parts are correctly completed and tighten all bolts completely using screwdriver.
Tapping in the wooden cap (G) to cover bolts head using rubber mallet.
- THE CHAIR IS NOW READY FOR USE.**