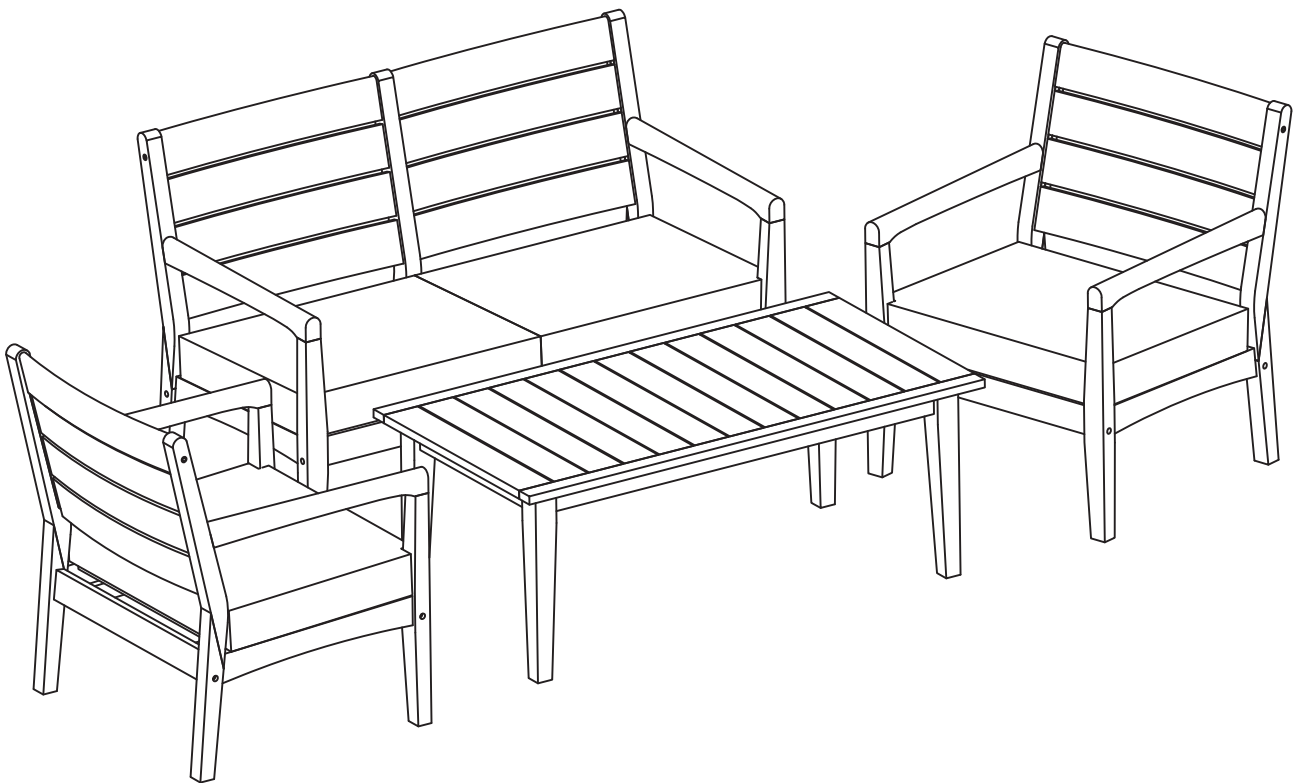


# 4 PC SOFA SET

Style # IT-610360

## ASSEMBLY INSTRUCTIONS

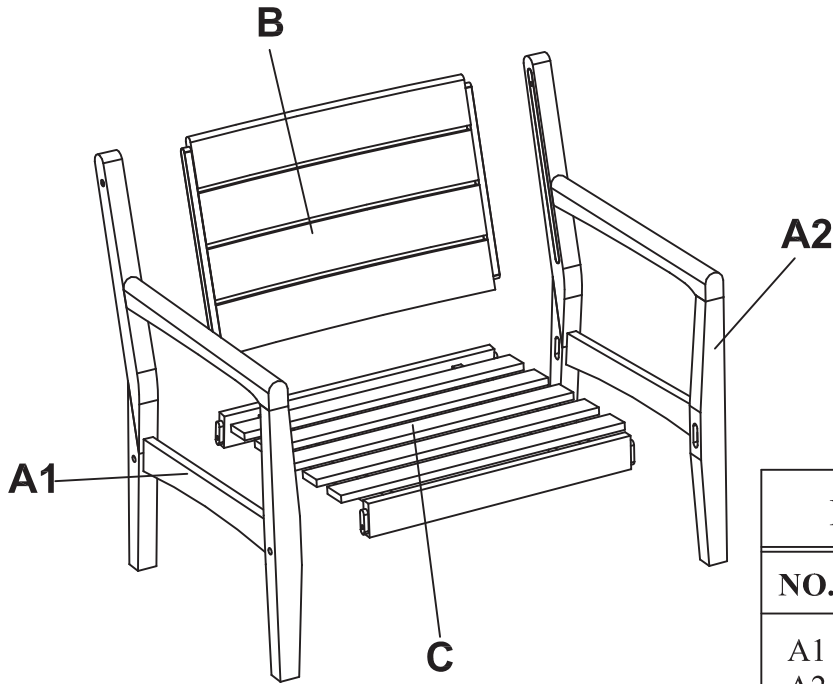


### CUSTOMER SERVICE INFORMATION

Please do not return to the store. If any pieces are missing call our toll free number at 1-888-287-4275 from 9:00 am to 5:00 pm CST (Monday to Friday) for replacement parts. For faster service, have the style number handy when calling.

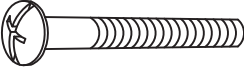


**THIS INSTRUCTION BOOKLET CONTAINS IMPORTANT SAFETY INFORMATION. PLEASE READ AND KEEP FOR FUTURE REFERENCE.**

- \* ASSEMBLE YOUR UNIT IN AN AREA FREE FROM ANY OBJECTS THAT MIGHT SCRATCH THE SURFACE OF YOUR UNIT.
- \* EXAMINE ALL PACKING MATERIAL BEFORE DISCARDING, SHORTAGES MAY OCCUR FROM PARTS LEFT IN THE PACKING MATERIAL.
- \* PLEASE READ THE INSTRUCTIONS CAREFULLY, AND VERIFY ALL PARTS ARE INCLUDED.
- \* ALL BOLTS ARE NEED TO BE TIGHTENED FROM TIME TO TIME TO AVOID DAMAGE.



LIST OF WOODEN PARTS		
NO.	DESCRIPTION	Q'TY
A1	Right side frame	1 Pc
A2	Left side frame	1 Pc
B	Back support	1 Pc
C	Seat	1 Pc

### LIST OF HARDWARE PARTS

- D**  2" Bolt ..... 2 Pcs + 1
- E**  1 1/2" Bolt ..... 4 Pcs + 1
- F**  Wooden cap ..... 6 Pcs + 1

### TOOLS REQUIRED

For proper assembly use these tools (not included)

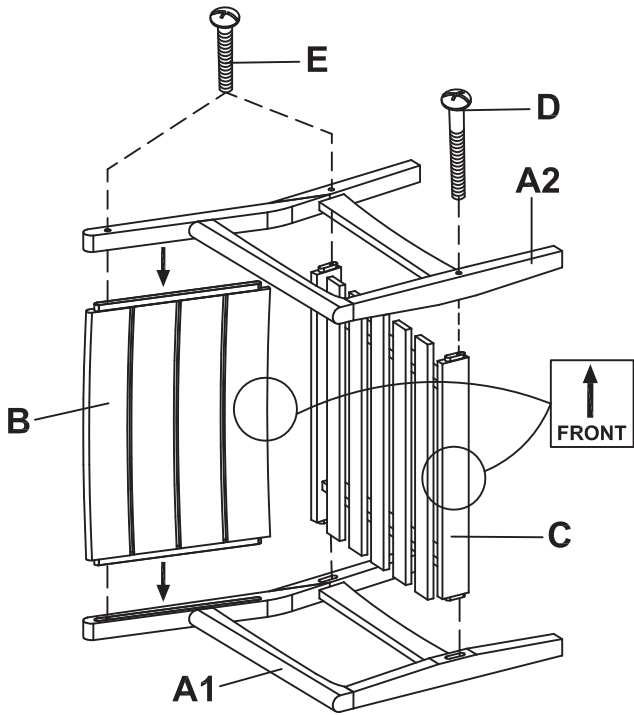
1. 8" Phillips screwdriver  
- for tightening all bolts.



2. Rubber mallet  
- for tapping in the wooden caps.



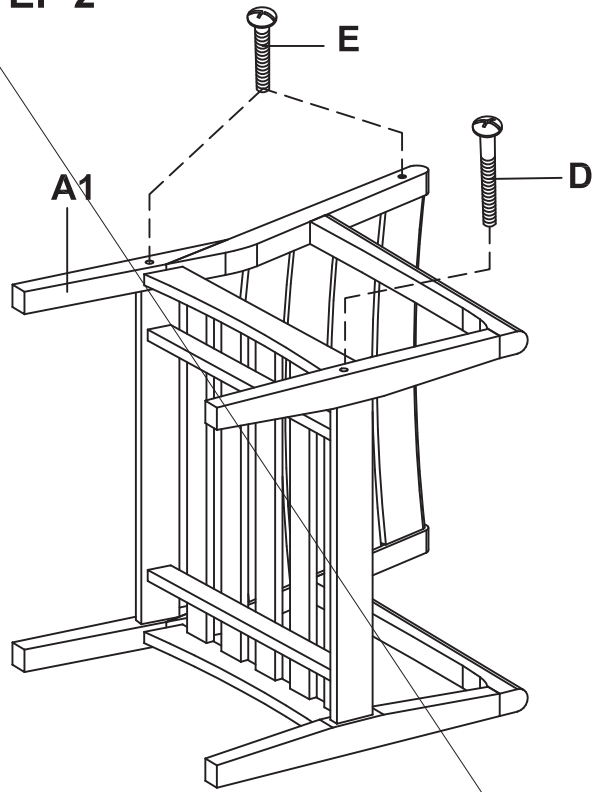
### STEP 1



Attach the back support (B) and seat (C) to the right side frame (A1), next attach the left side frame (A2) to the pre-assembly, secure using 1 1/2" bolt (E) and 2" bolts (D), as shown.

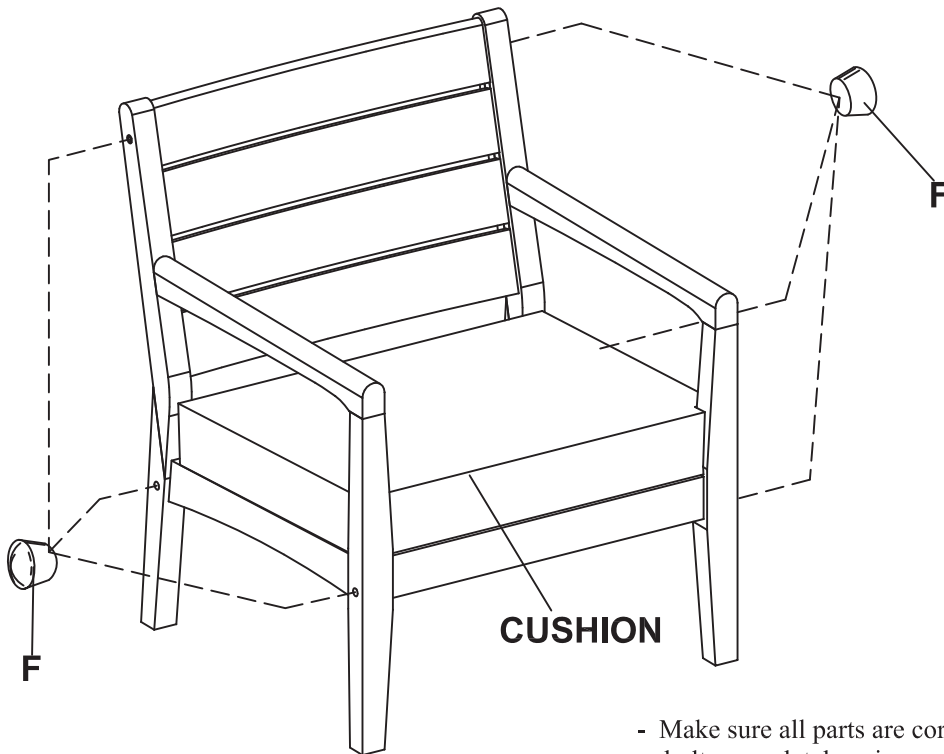
**\*\* DO NOT FULLY TIGHTEN BOLTS YET.**

### STEP 2



Turn the chair.  
Insert 1 1/2" bolt (E) and 2" bolts (D) to the right side frame (A1), as shown.

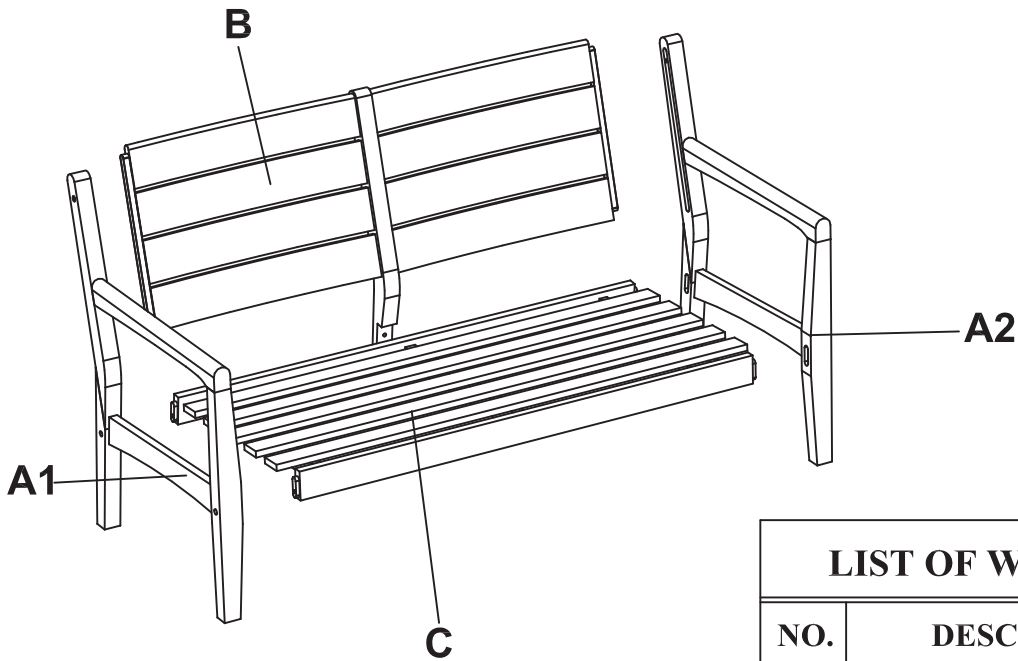
### STEP 3



- Make sure all parts are correctly connected and tighten all bolts completely using screwdriver.
- Tapping in the wooden caps (F) to cover bolts head using rubber mallet.
- Install the cushion.

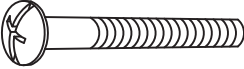


**THE CHAIR IS NOW READY FOR USE.**

- \* ASSEMBLE YOUR UNIT IN AN AREA FREE FROM ANY OBJECTS THAT MIGHT SCRATCH THE SURFACE OF YOUR UNIT.
- \* EXAMINE ALL PACKING MATERIAL BEFORE DISCARDING, SHORTAGES MAY OCCUR FROM PARTS LEFT IN THE PACKING MATERIAL.
- \* PLEASE READ THE INSTRUCTIONS CAREFULLY, AND VERIFY ALL PARTS ARE INCLUDED.
- \* ALL BOLTS ARE NEED TO BE TIGHTENED FROM TIME TO TIME TO AVOID DAMAGE.



LIST OF WOODEN PARTS		
NO.	DESCRIPTION	Q'TY
A1	Right side frame	1 Pc
A2	Left side frame	1 Pc
B	Back support	1 Pc
C	Seat	1 Pc

### LIST OF HARDWARE PARTS

- D**  2" Bolt ..... 2 Pcs + 1
- E**  1 1/2" Bolt ..... 5 Pcs + 1
- F**  Wooden cap ..... 6 Pcs + 1

### TOOLS REQUIRED

For proper assembly use these tools (not included)

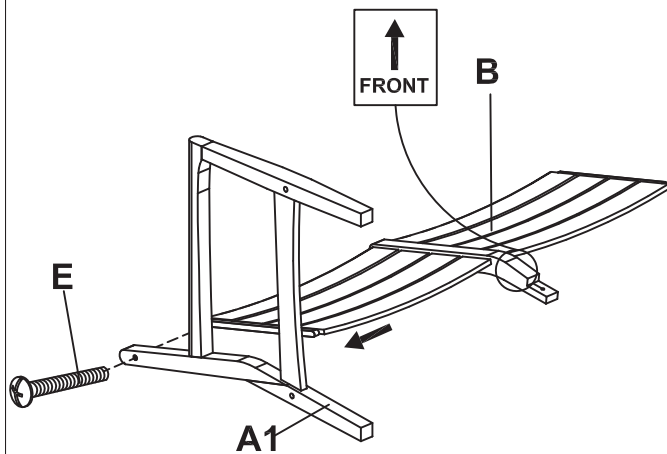
1. 8" Phillips screwdriver  
- for tightening all bolts.



2. Rubber mallet  
- for tapping in the wooden caps.



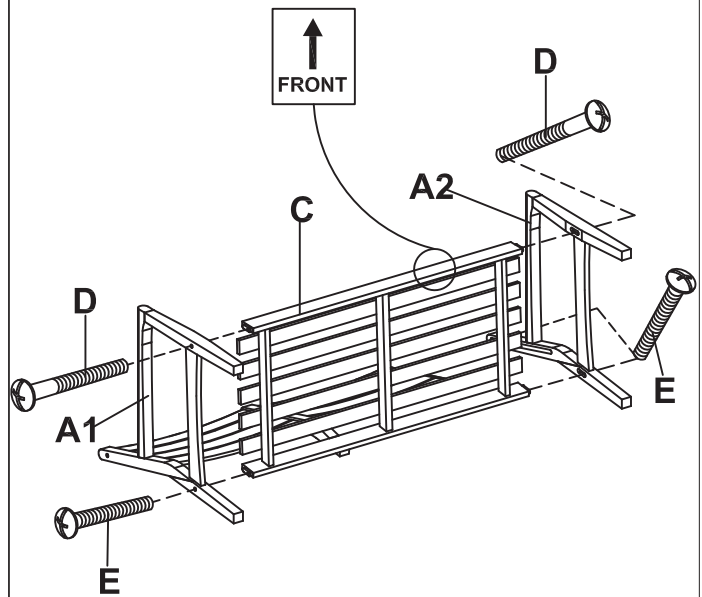
### STEP 1



Attach the back support (B) to right side frame (A1). Secure using 1 1/2" bolt (E), as shown.

**\*\* DO NOT TIGHTEN BOLT YET.**

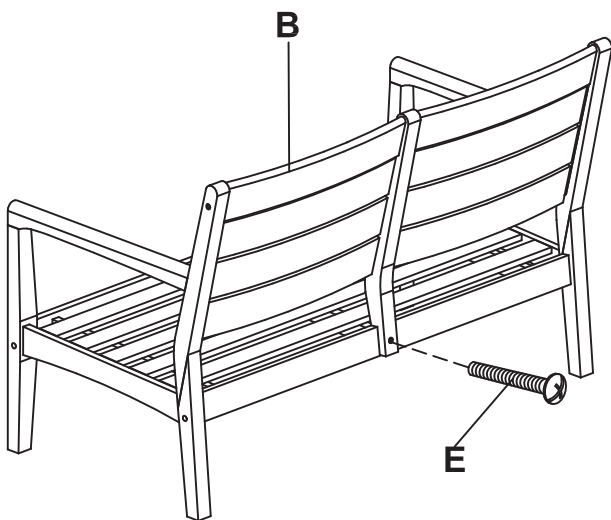
### STEP 2



Attach the seat (C) to right side frame (A1). Secure using 1 1/2" bolts (E), as shown. And then, attach the left side frame (A2) to seat (C) and back support (B). Secure using 1 1/2" bolt (E) and 2" bolt (D), as shown.

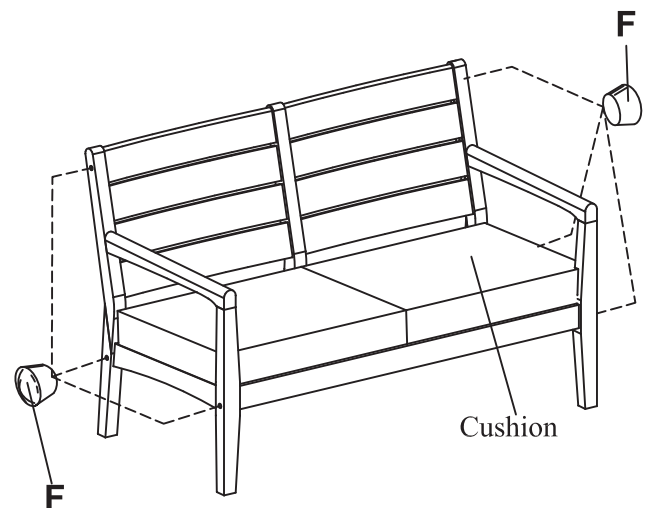
**\*\* DO NOT TIGHTEN BOLTS YET.**

### STEP 3



Stand the bench upright. Insert 1 1/2" bolt (E) into back support hole (B), as shown. Tighten bolt using screwdriver.

### STEP 4



- Make sure all parts are correctly connected and tighten all bolts completely using screwdriver.
- Tapping in the wooden caps (F) to cover bolts head using rubber mallet.

Install the cushion

**THE BENCH IS NOW READY FOR USE.**

**IMPORTANT !**

- \* ASSEMBLE YOUR UNIT IN AN AREA FREE FROM ANY OBJECTS THAT MIGHT SCRATCH THE SURFACE OF YOUR UNIT.
- \* EXAMINE ALL PACKING MATERIAL BEFORE DISCARDING, SHORTAGES MAY OCCUR FROM PARTS LEFT IN THE PACKING MATERIAL.
- \* PLEASE READ THE INSTRUCTIONS CAREFULLY, AND VERIFY ALL PARTS ARE INCLUDED.
- \* ALL NUTS NEED TO BE TIGHTENED FROM TIME TO TIME TO AVOID DAMAGE.

**A**

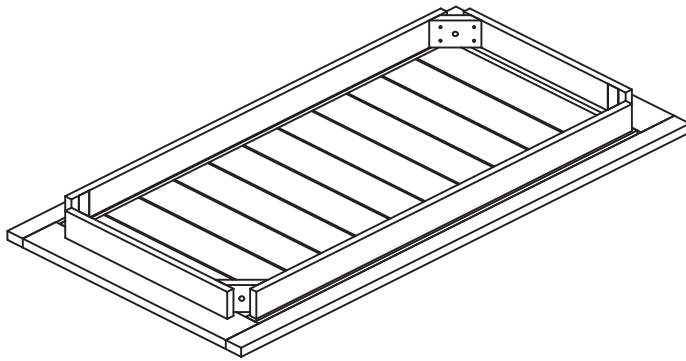
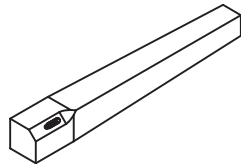


Table top ..... 1 Pc

**B**



Leg ..... 4 Pcs

**LIST OF HARDWARE PARTS**

**C**



Washer ..... 4 Pcs +1

**D**



Spring washer ..... 4 Pcs + 1

**E**

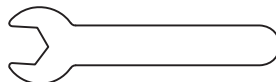


Nut ..... 4 Pcs + 1

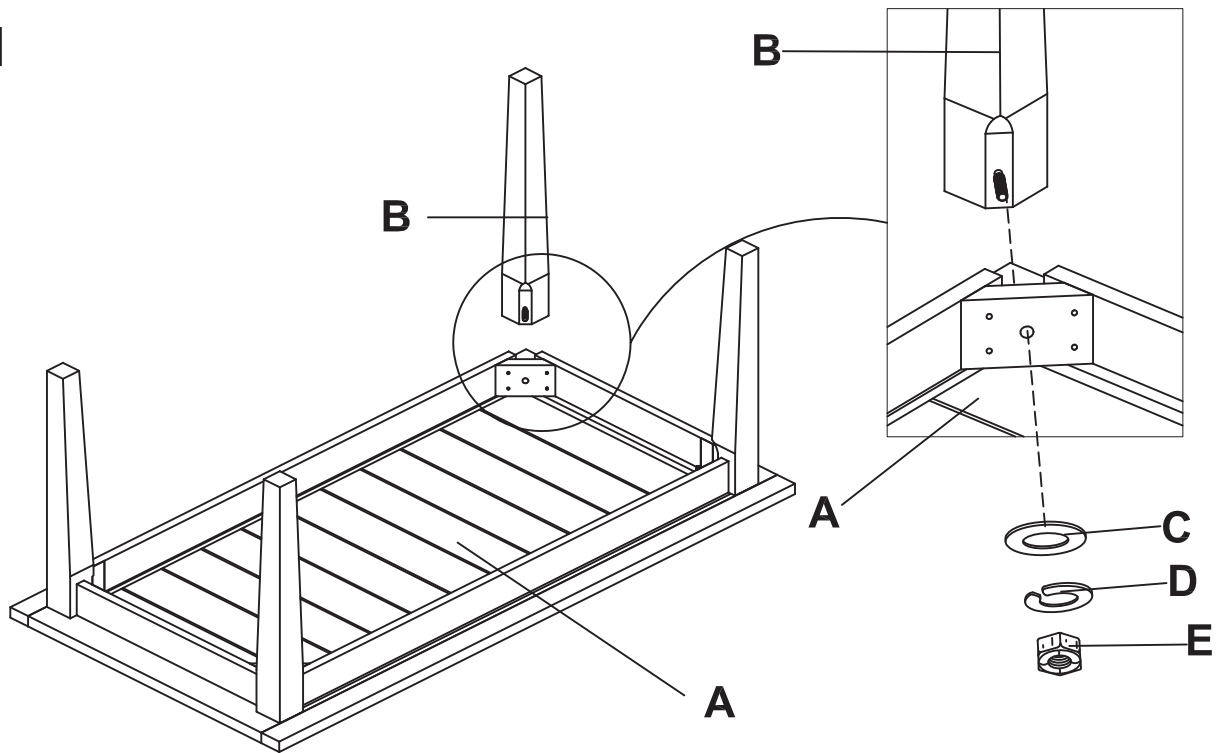
**TOOLS REQUIRED**

For proper assembly use these tools.

Wrench (included)  
- for tightening all nuts.

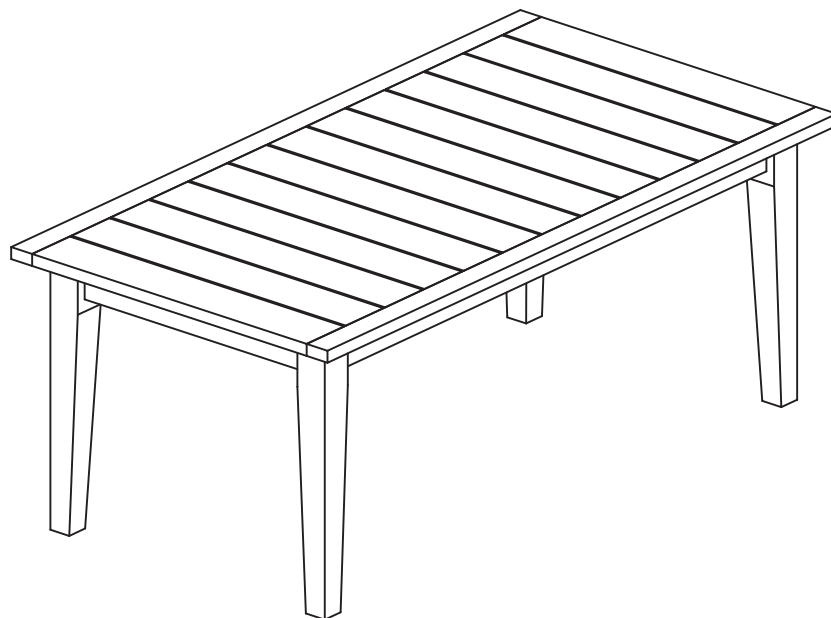


## STEP 1



- Attach the legs (B) into each corner of table top (A).
- Assemble the washers (C), Spring washers (D) and nuts (E) to legs (B). Tighten the nuts using wrench.

## STEP 2



- Turn the table upright.

**THE TABLE IS NOW READY FOR USE.**