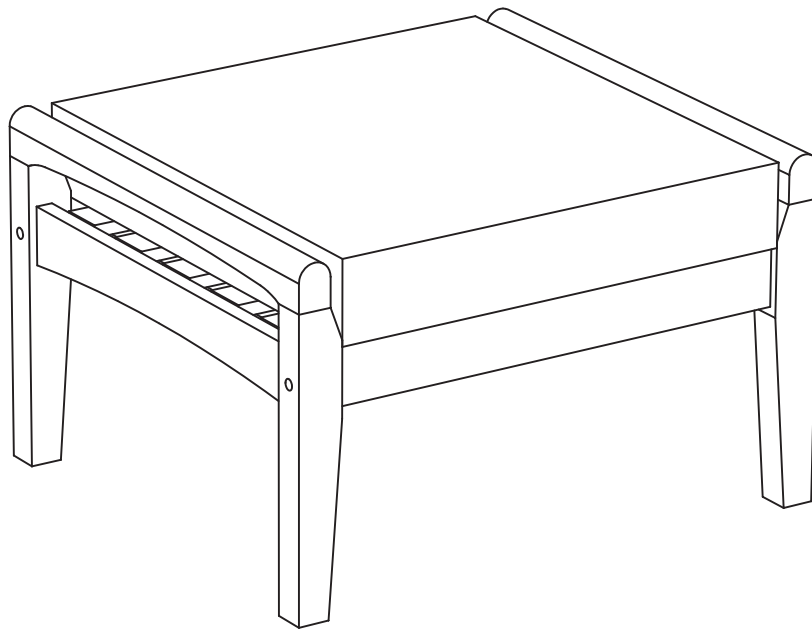


STOOL WITH CUSHION

Style # IT-281098

ASSEMBLY INSTRUCTIONS

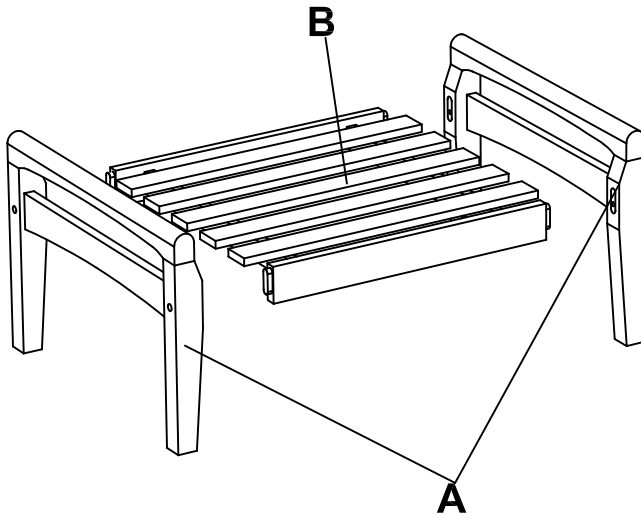


CUSTOMER SERVICE INFORMATION

Please do not return to the store. If any pieces are missing call our toll free number at 1-888-287-4275 from 9:00 am to 5:00 pm CST (Monday to Friday) for replacement parts. For faster service, have the style number handy when calling.

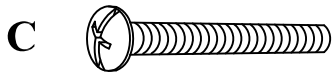
THIS INSTRUCTION BOOKLET CONTAINS IMPORTANT SAFETY INFORMATION. PLEASE READ AND KEEP FOR FUTURE REFERENCE.

- * ASSEMBLE YOUR UNIT IN AN AREA FREE FROM ANY OBJECTS THAT MIGHT SCRATCH THE SURFACE OF YOUR UNIT.
- * EXAMINE ALL PACKING MATERIAL BEFORE DISCARDING, SHORTAGES MAY OCCUR FROM PARTS LEFT IN THE PACKING MATERIAL.
- * PLEASE READ THE INSTRUCTIONS CAREFULLY, AND VERIFY ALL PARTS ARE INCLUDED.
- * ALL BOLTS NEED TO BE TIGHTENED FROM TIME TO TIME TO AVOID DAMAGE.



LIST OF WOODEN PARTS		
NO.	DESCRIPTION	Q'TY
A	Leg	2 Pcs
B	Stool	1 Pc

LIST OF HARDWARE PARTS



2" Bolt 4 Pcs + 1

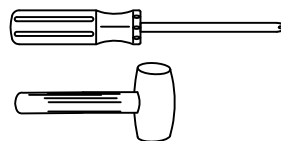


Wooden cap 4 Pcs + 1

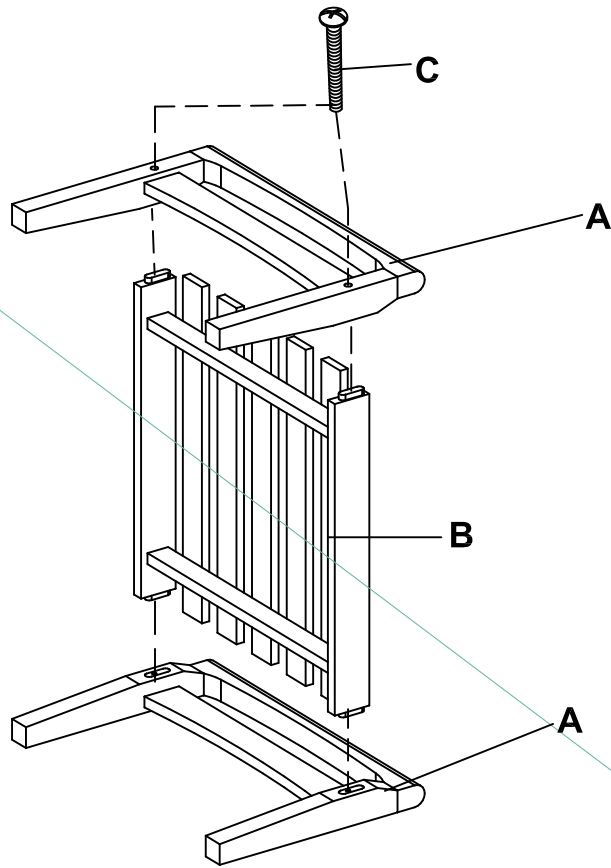
TOOLS REQUIRED

For proper assembly use these tools (not included)

1. 8" Phillips screwdriver
- for tightening all bolts.
2. Rubber mallet
- for tapping in the wooden caps.

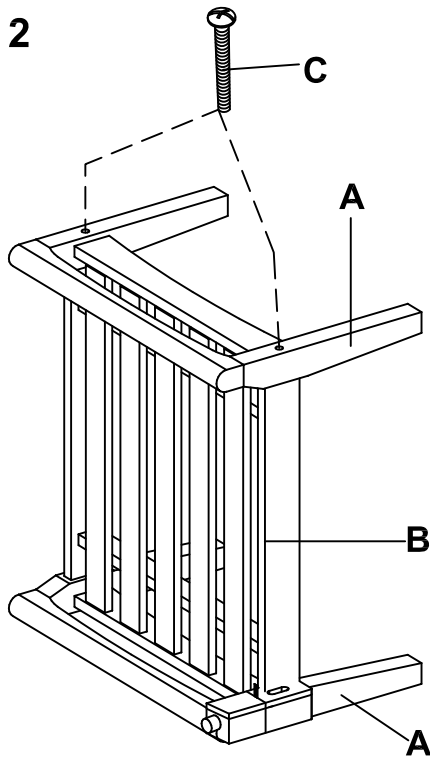


STEP 1



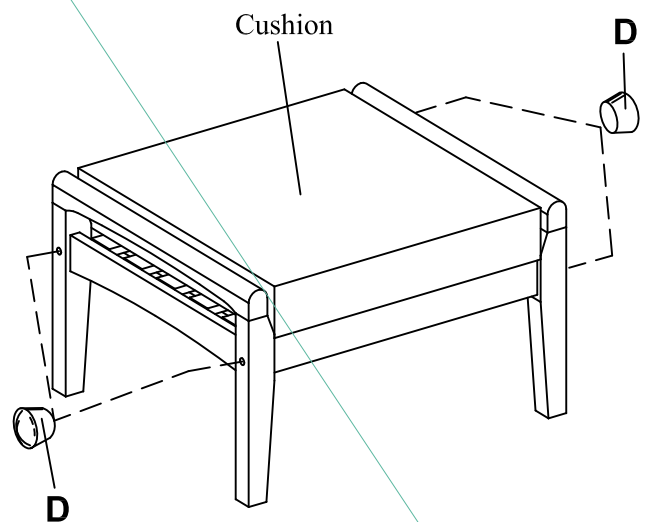
Attach the stool (B) to legs (A), as shown. Secure using 2" bolts (C). Tighten the bolts using screwdriver.

STEP 2



- Turn the stool upside.
- Secure the leg frame using 2" bolts (C) as shown. Tighten bolt using screwdriver.

STEP 3



- Make sure all parts are correctly connected and tighten all bolts completely using screwdriver.
- Tapping in the wooden caps (D) to cover bolts head using rubber mallet.
- Install the cushion.

THE STOOL IS NOW READY FOR USE.