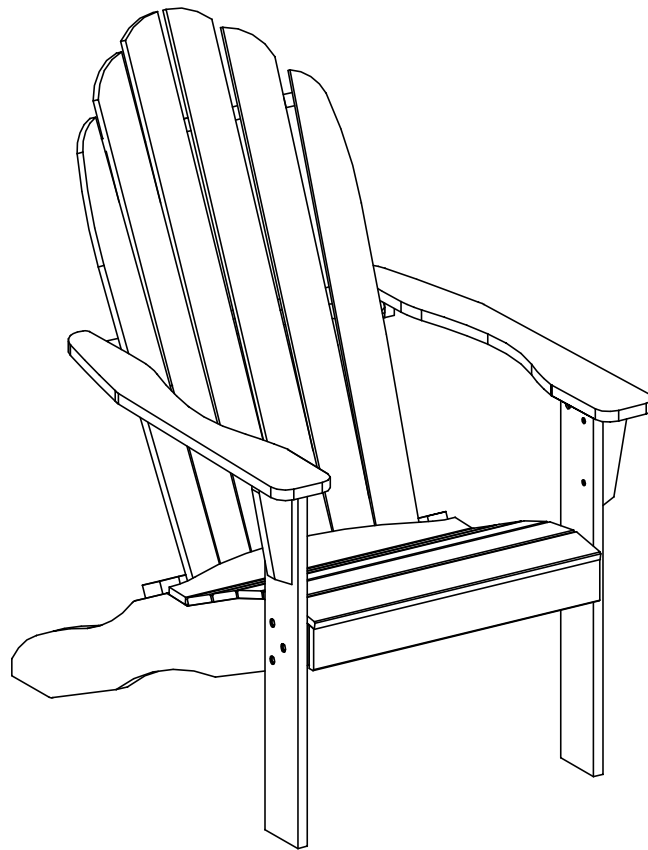


ASSEMBLY INSTRUCTIONS

ADIRONDACK CHAIR IT-240252



CUSTOMER SERVICE INFORMATION

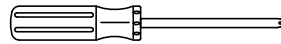
Please do not return to the store. If any pieces are missing call our toll free number at 1-888-287-4275 from 9:00 am to 5.00 pm CST (Monday to Friday) for replacement parts.
For faster service, have the style number handy when calling.

GENERAL INFORMATION & TIPS



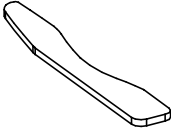
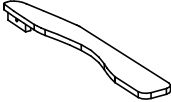
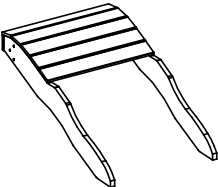
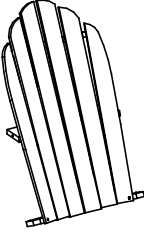
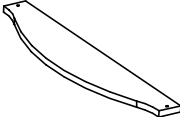
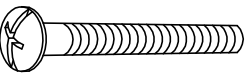
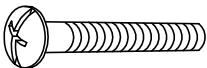

1. Please read the assembly instructions prior to assembling the chair.
2. To avoid damage, assemble the chair on a non-abrasive surface such as carpet.
3. Make sure all bolts tightly fastened before the chair is used.
4. This chair is not for commercial use.

Please make sure you have all parts before beginning assembly. Please wait until all steps are completed before tightening bolts.

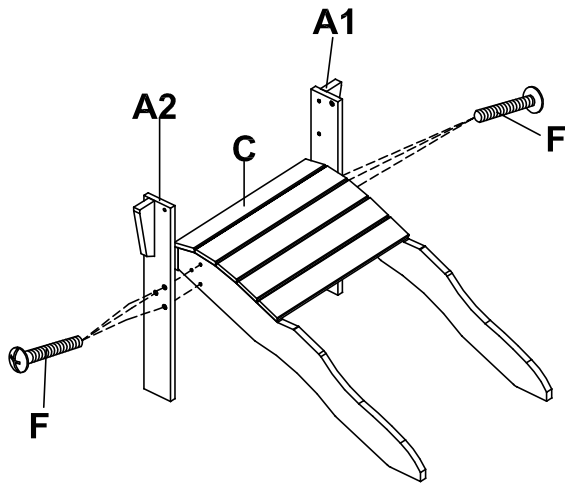
1. A Phillips screwdriver is necessary for assembly.
It's not included in hardware list.



PARTS AND HARDWARE LIST

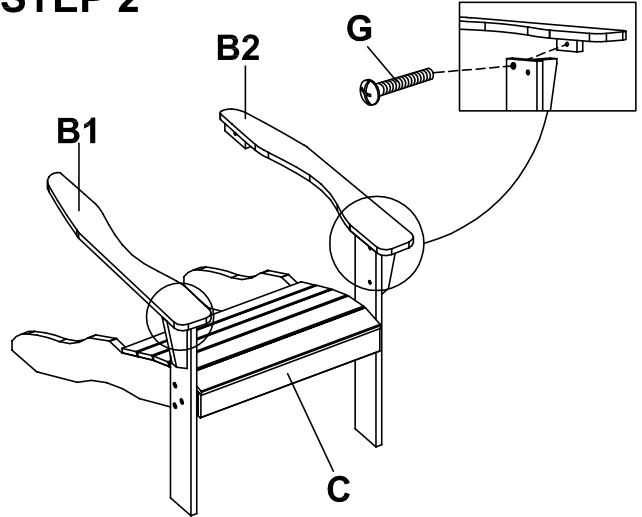
A1. Right leg frame	A2. Left leg frame	B1. Right Arm Rest	B2. Left Arm Rest
			
QTY: 1 pc	QTY: 1 pc	QTY: 1 pc	QTY: 1 pc
C. Seat	D. Back Support	E. Support Rail	
			
QTY: 1 pc	QTY: 1 pc	QTY: 1 pc	
F. 1 1/2" bolt	G. 1 1/4" Bolt	H. 1 1/4" Screw	
			
QTY: 6 pcs	QTY: 4 pcs	QTY: 6 pcs	

STEP 1



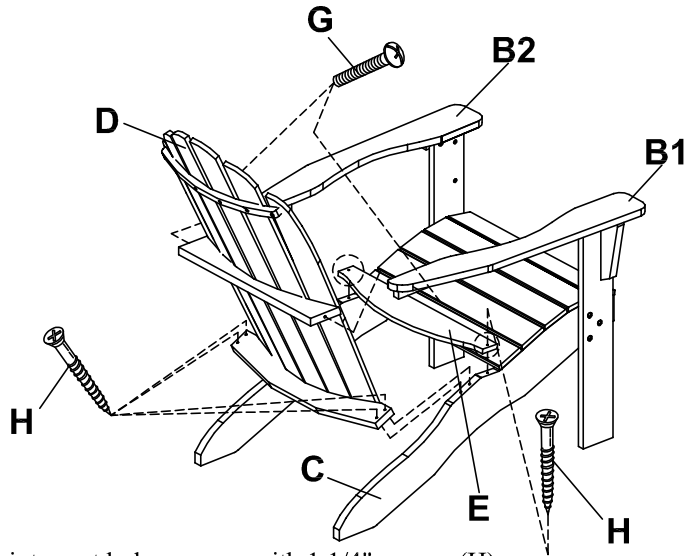
Attach the right and left leg (A1&A2) into the seat (C) and secure with 1 1/2" bolts (F), using phillips screwdriver.

STEP 2



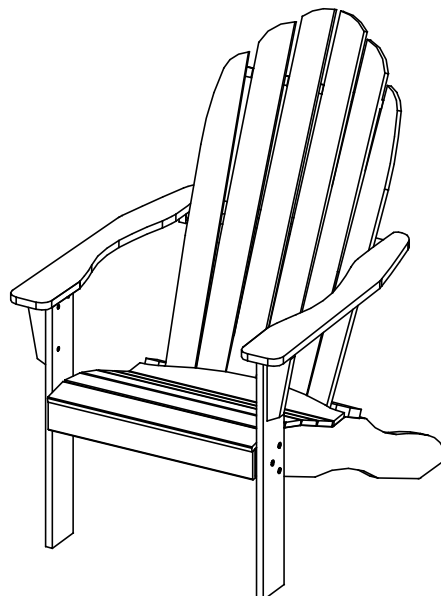
Attach the right and left arm rest (B1&B2) into assembled and secure with 1 1/4" bolts (G) from inside, as shown.

STEP 3



Attach support rail (E) into seat holes, secure with 1 1/4" screws (H).
Attach the back (D) into seat and arm rests (B1&B2). Secure to seat (C) with 1 1/4" screws (H) and to arm rests (B1&B2) with 1 1/4" bolts (G), as shown.
Be sure all bolts (F&G) and screws (H) are fully tightened, using phillips screwdriver.

STEP 4



THE ADIRONDACK CHAIR IS NOW READY FOR USE.