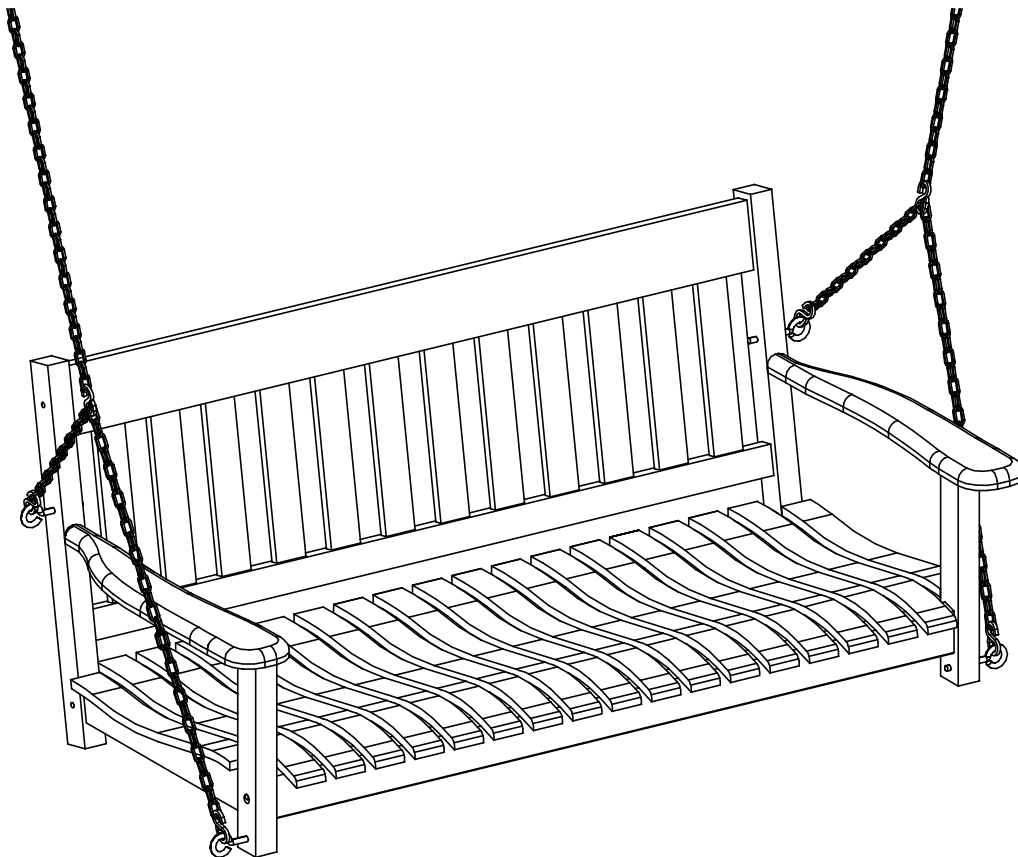


## ASSEMBLY INSTRUCTIONS

# DELAHEY PORCH SWING IT-130228



### CUSTOMER SERVICE INFORMATION

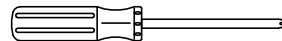
Please do not return to the store. If any pieces are missing call our toll free number at 1-888-287-4275 from 9:00 am to 5.00 pm CST (Monday to Friday) for replacement parts.  
For faster service, have the style number handy when calling.

## GENERAL INFORMATION & TIPS

1. Please read the assembly instructions prior to assembling the swing.
2. To avoid damage, assemble the swing on a non-abrasive surface such as carpet.
3. Make sure all bolts and nuts tightly fastened before the chair is used.
4. This swing is not for commercial use.

Please make sure you have all parts before beginning assembly. Please wait until all steps are completed before tightening bolts and nuts.

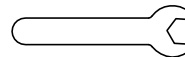
1. A Phillips screwdriver is necessary for assembly.  
It's not included in hardware list.



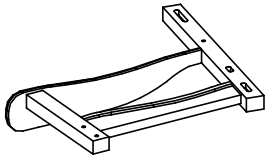
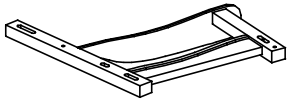
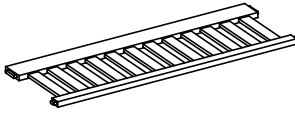
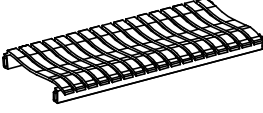


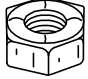




2. A Rubber mallet is necessary for assembly.  
It's not included in hardware list.



3. A Wrench is necessary for assembly.  
It's included in hardware list.



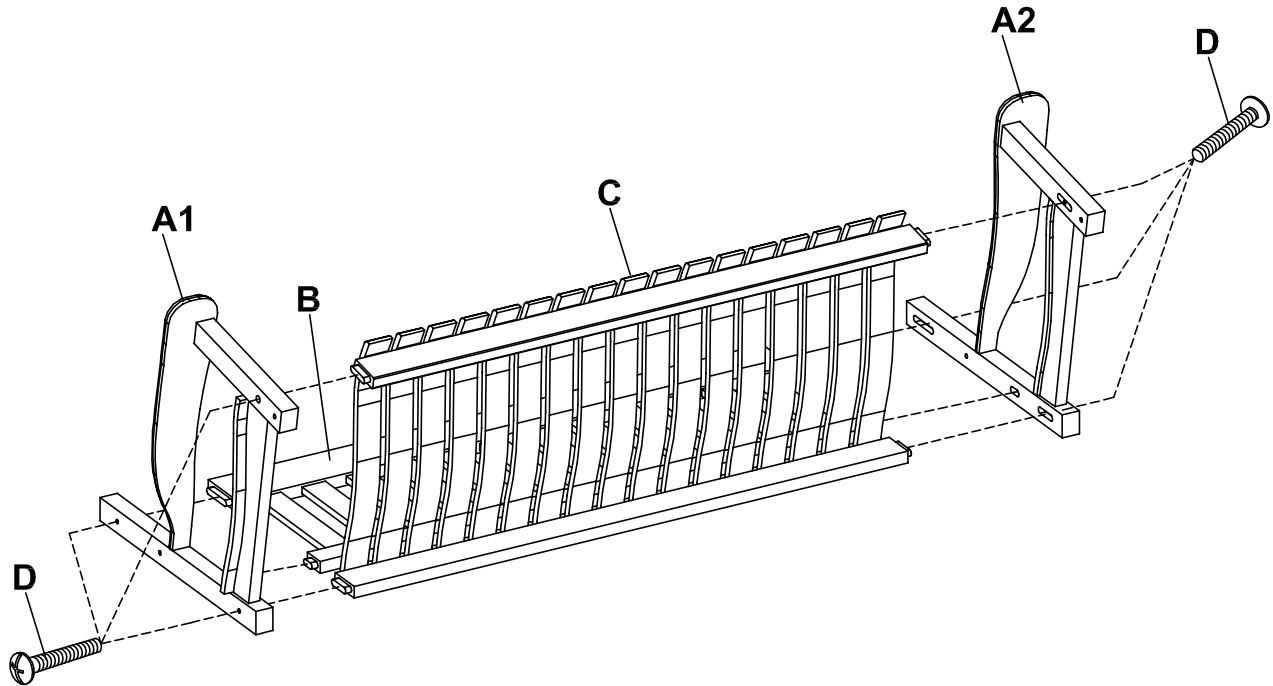
## PARTS AND HARDWARE LIST

A1. Right side frame	A2. Left side frame	B. Back support	C. Seat
			
QTY: 1 pc	QTY: 1 pc	QTY: 1 pc	QTY: 1 pc
D. 1 1/4" Bolt	E. Washer	F. Nut	G. Head Nut
			
QTY: 6 pcs	QTY: 12 pcs	QTY: 6 pcs	QTY: 4 pcs
H. Wooden Cap	I. Hanger Bolt With Chain and Chain Lock	J. Hanger Bolt	
			
QTY: 6 pcs	QTY: 2 pcs	QTY: 2 pcs	

### WARNING !

- Swing are inherently dangerous for small children, never let small children play around it unattended.
- Do not stand on the swing.

### STEP 1

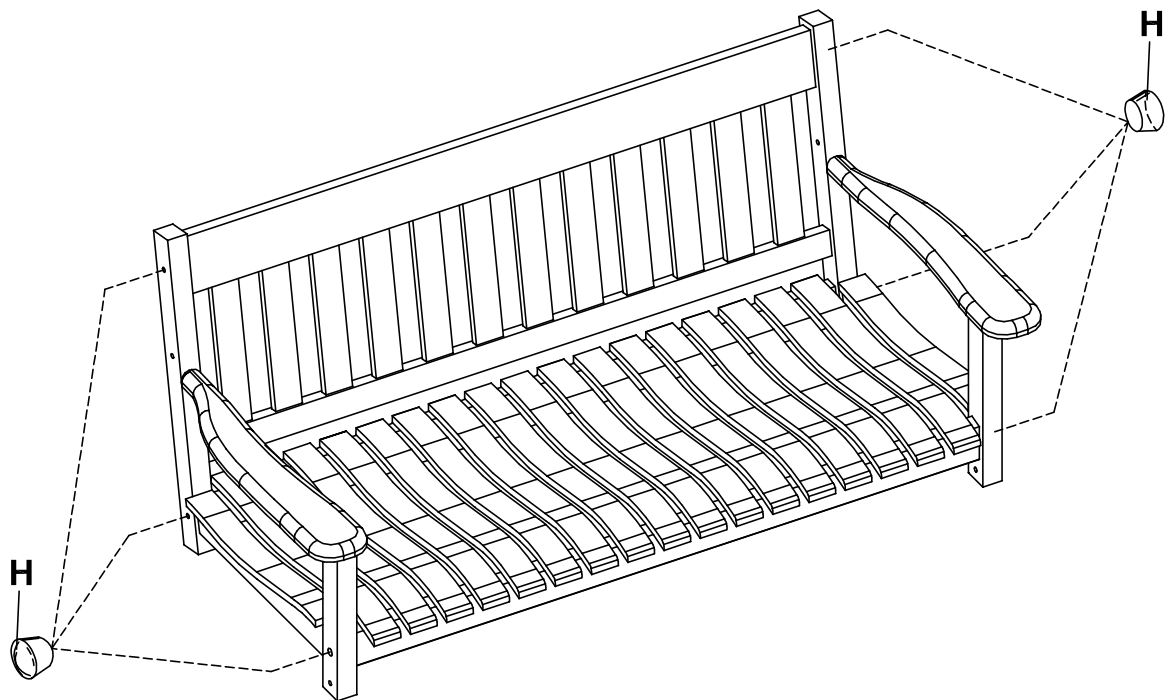


Install on level ground.

Attach the back support (B) and seat (C) into right and left side frames (A1 & A2).

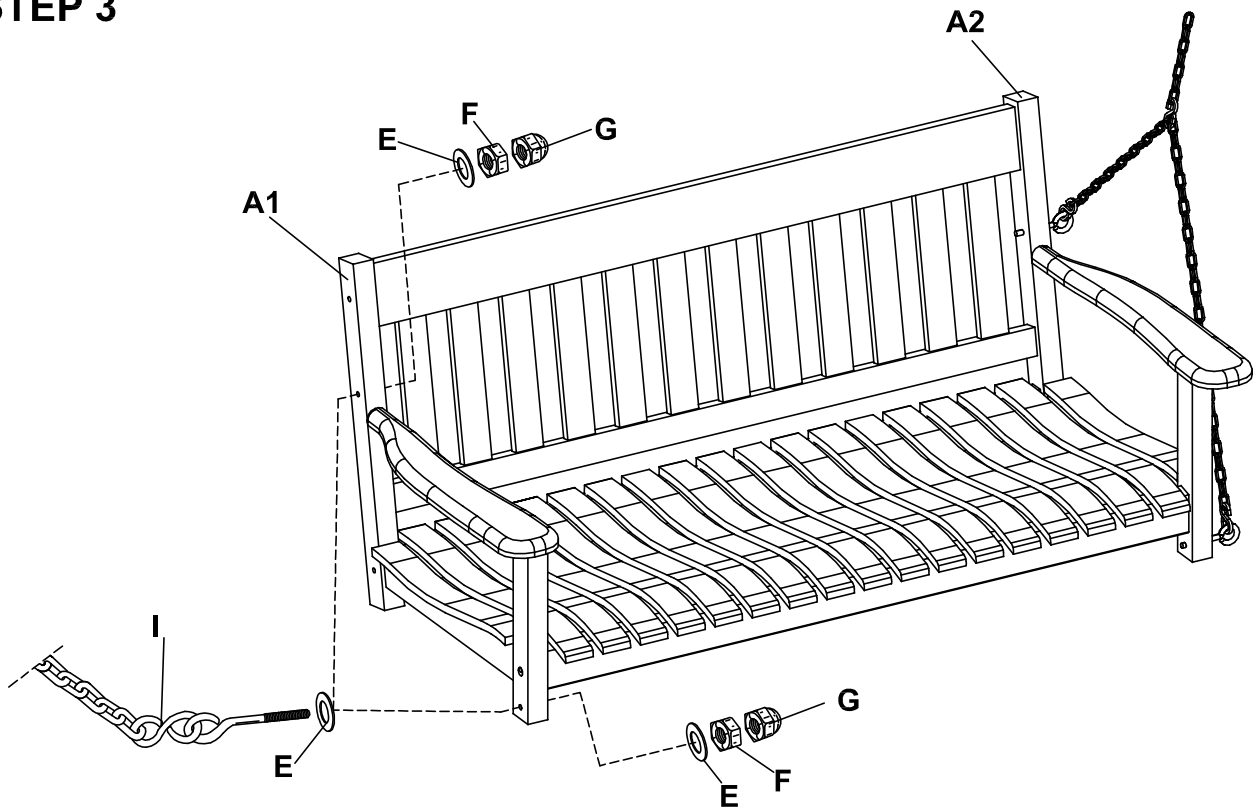
Secure using 1 1/4" bolts (D), as shown.

### STEP 2



Tighten all bolts completely using screwdriver and tipping in the wooden caps (H), to cover bolts head using rubber mallet.

### STEP 3



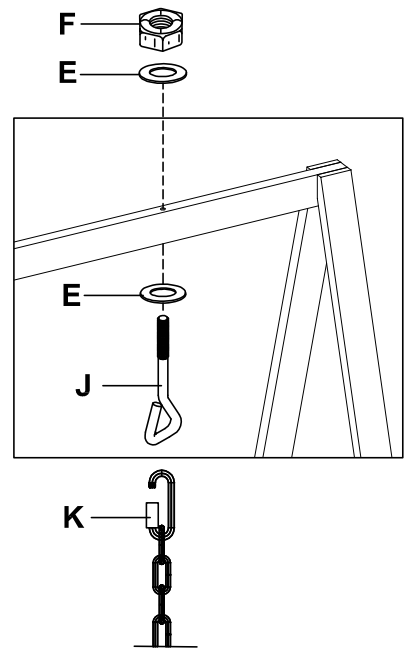
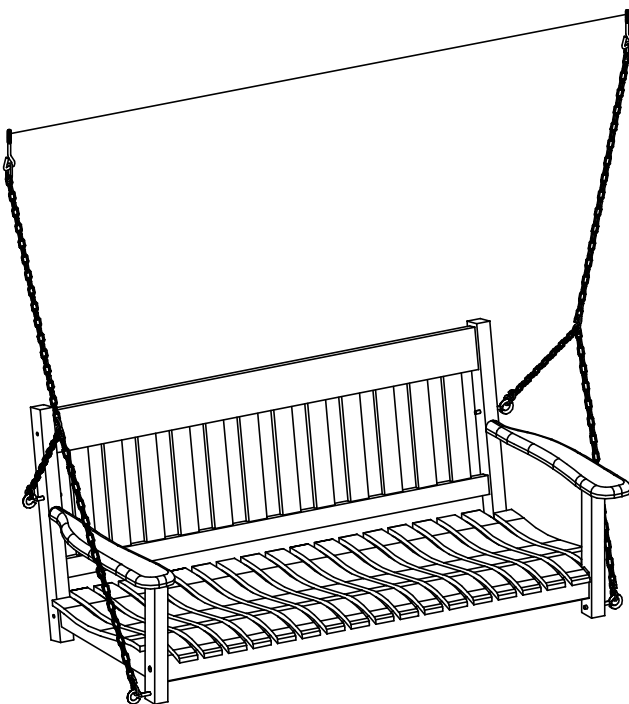
Secure the hanger bolts with chain (I) into predrilled holes of right side frame (A1), using washers (E), nuts (F) and head nuts (G) as shown.

(The hanger bolt with long chain must be install in front).

Repeat the same procedure to install the hanger bolts (I) into left side frame (A2).

Make sure all parts are correctly connected and tighten all nuts completely using wrench.

### STEP 4



#### **To hang up the swing :**

Insert the hanging bolts (J) into predrilled holes of swing frame and secure with washers (E) and nuts (F) as shown. Tighten the nuts using wrench.

#### **NOTICE :**

Install not less than 6 feet from any obstruction such as fence, garage, house, overhanging branch laundry lines or electrical wires.

Insert and hang the hanger bolt with chain (K) to hanger bolt (J) and lock.  
Recommended height is 23.5 inch from the bottom of the seat to the ground.