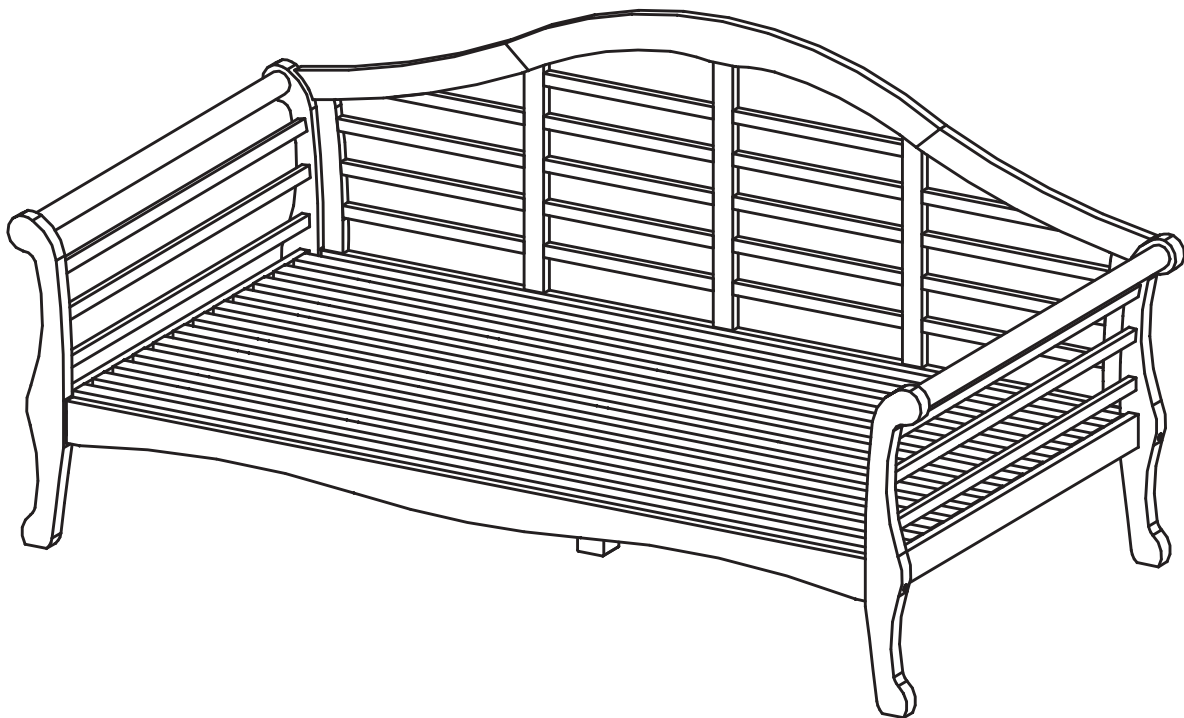


ASSEMBLY INSTRUCTIONS
LUTYEN'S DAYBED
IT-460124T



CUSTOMER SERVICE INFORMATION

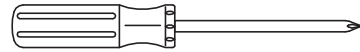
Please do not return to the store. If any pieces are missing call our toll free number at 1-888-287-4275 from 9:00 am to 5:00 pm CST (Monday to Friday) for replacement parts. For faster service, have the style number handy when calling.

GENERAL INFORMATION & TIPS

1. Please read the assembly instructions prior to assembling the daybed.
2. To avoid damage, assemble the daybed on a non-abrasive surface such as carpet.
3. Make sure all bolts tightly fastened before the daybed is used.
4. This day bed is not for commercial use.

Please make sure you have all parts before beginning assembly. Please wait until all steps are completed before tightening bolts.

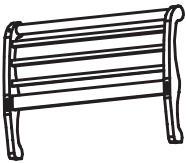



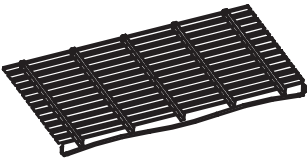

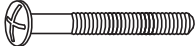
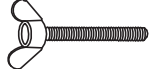


1. 8" Philips screwdriver
- For tightening all bolts and screws.



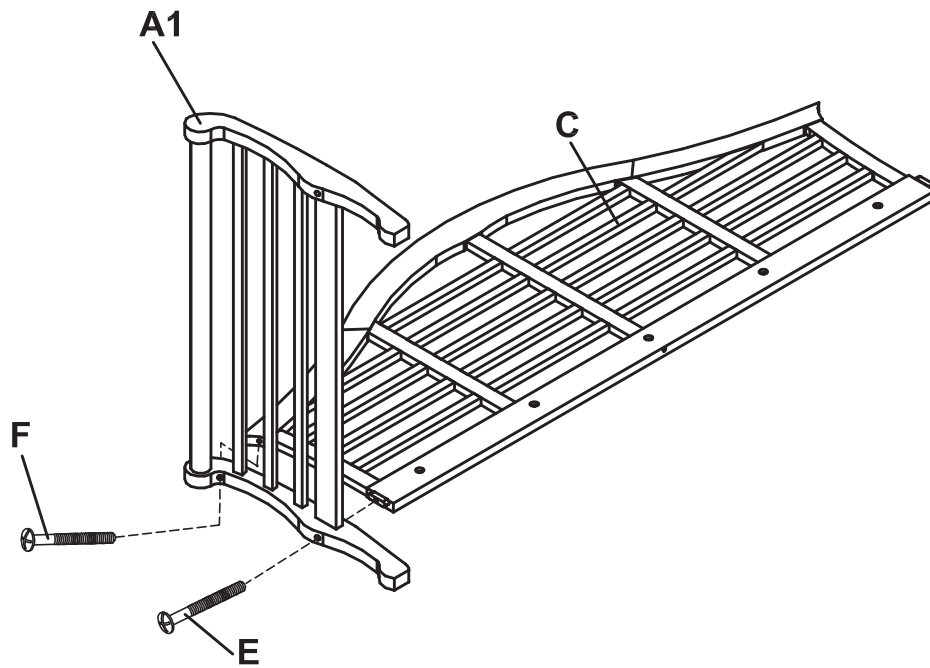
2. Rubber Mallet
- For tapping in the wooden caps.



PARTS AND HARDWARE LIST

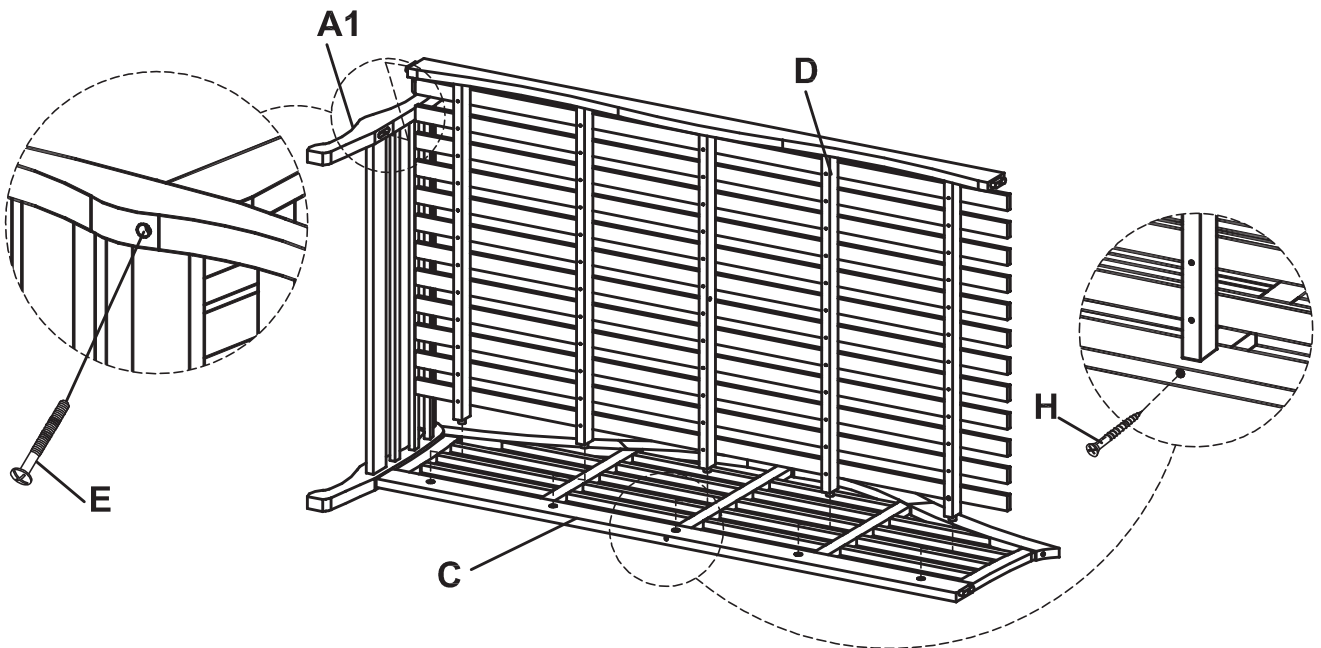
A1. Right Side Frame	A2. Left Side Frame	B. Middle leg	C. Back Support
			
QTY: 1 pc	QTY: 1 pc	QTY: 1 pc	QTY: 1 pc
D. Seat	E. Bolt 3"	F. Bolt 2 1/4"	G. Butterfly Bolt
			
QTY: 1 pc	QTY: 4 + 1 pcs	QTY: 2 + 1 pcs	QTY: 1 + 1 pcs
H. Screw 2 1/2"	I. Wooden cap		
			
QTY: 1 + 1 pcs	QTY: 6 + 1 pcs		

STEP 1



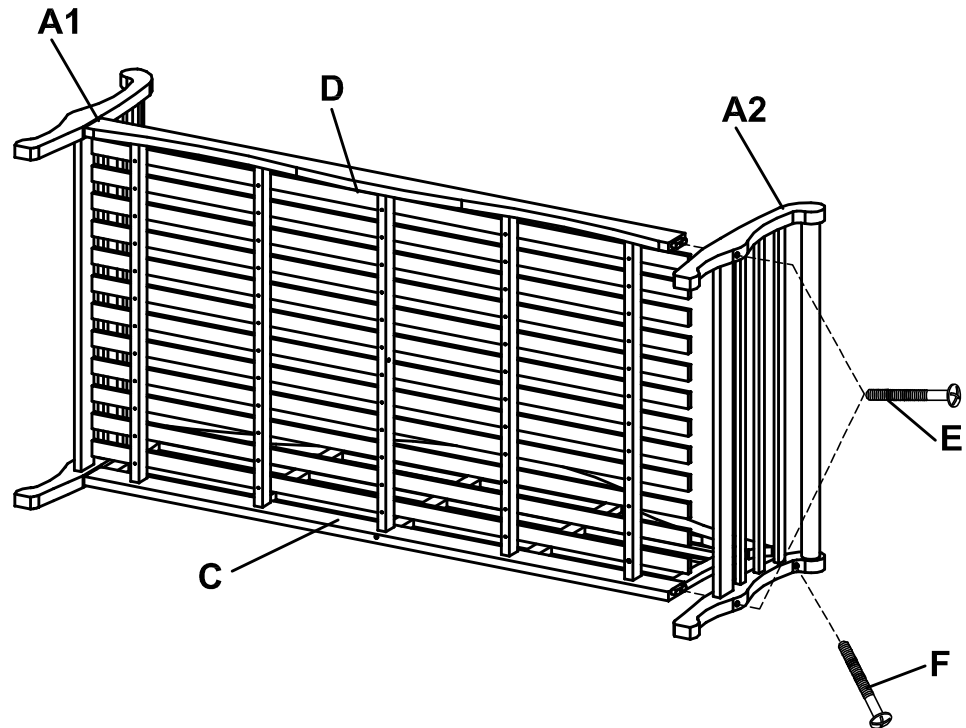
- Insert back support (C) into the matching holes of right side frame (A1), secure using 3" bolt (E) and 2 1/4" bolt (F), as shown.
- Do not fully tighten all bolts yet.

STEP 2



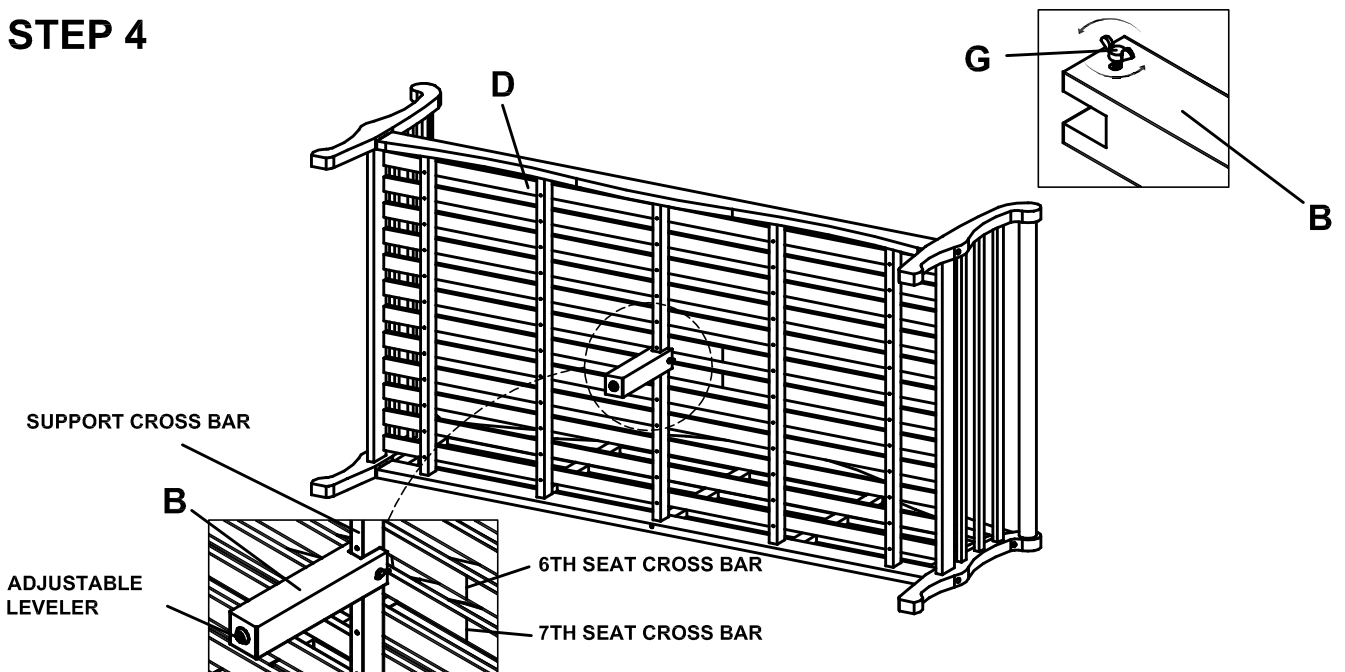
- Attach seat (D) to back support (C) and right side frame (A1) as diagram shown. Secure with 3" bolt (E) and 2 1/2" screw (H).
- Do not fully tighten all bolt yet.

STEP 3



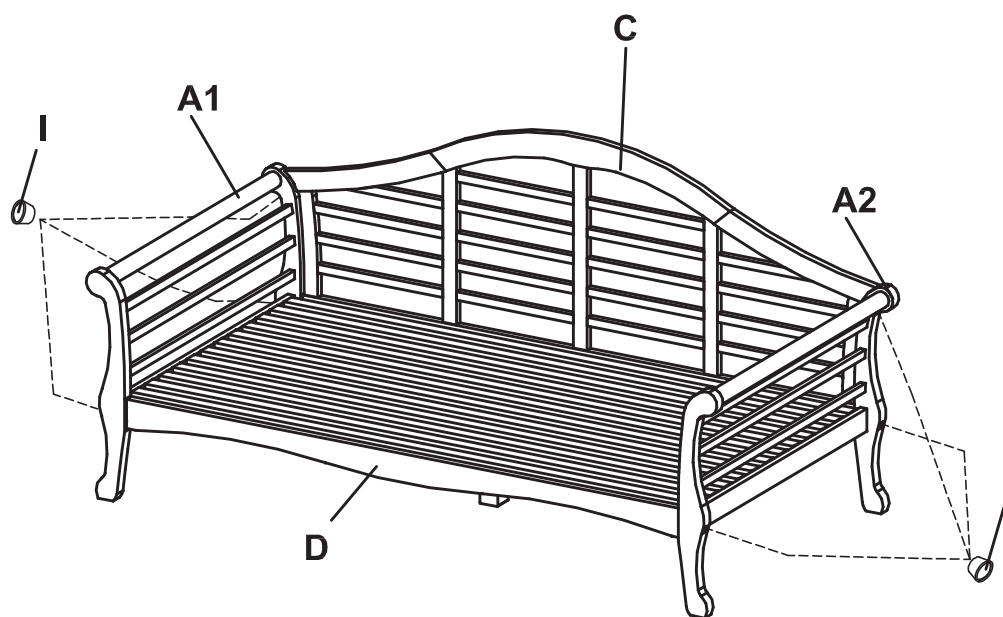
- Attach left side frame (A2) to the assembly from step 2, secure using 3" bolts (E) and 2 1/2" bolt (F).
- Tighten all bolts using screwdriver.

STEP 4



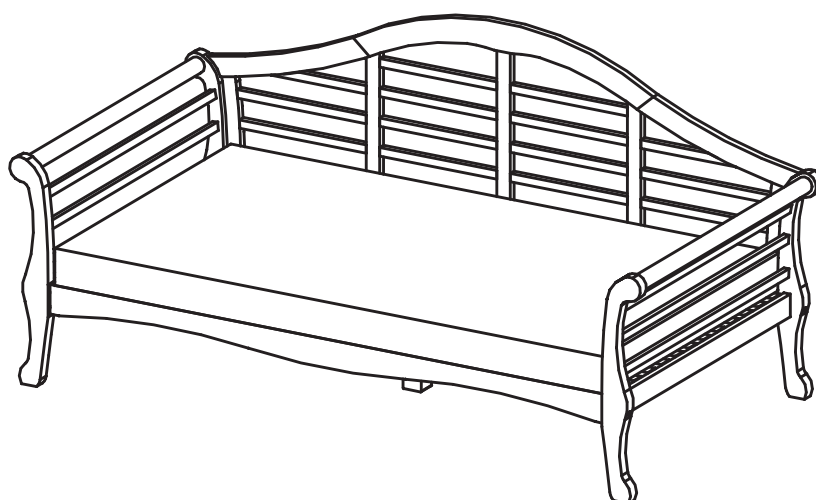
- Insert the butterfly turn bolt (G) to the middle leg (B).
- Untighten the butterfly turn bolt.
- Attached the middle leg (B) into the middle support cross bar and between the 6th & 7th seat cross bar (count from the top to bottom), as picture shown above.
- Tighten the middle leg (B) by turning the butterfly bolt (G).
- Up right the daybed
- To balance the seat height between the middle leg (B) and daybed legs (A1 & A2), adjust the leverler until legs balance before using.

STEP 5



- Turn daybed right - Side up
- Ensure all parts are secure fully tighten all bolts using screwdriver
- Tap in wooden caps (I) to cover bolts heads using rubber mallet.

STEP 6



- Install the cushion on the daybed.

THE DAYBED IS NOW READY FOR USE.