

ASSEMBLY INSTRUCTIONS







LIST OF WOODEN PARTS

NO.	DESCRIPTION	Q'TY
A1	Right side frame	1 Pc
A2	Left side frame	1 Pc
B	Back support	1 Pc
C	Seat	1 Pc
D	Apron	1 Pc
E	Cross bar	1 Pc

QUESTION ?

Identify all parts and hardware. If any pieces are missing call our toll free number at 1-888-287-4275 from 9:00 am to 5:00 pm CST (Monday to Friday) for replacment parts. For faster service, have the style number handy when calling.

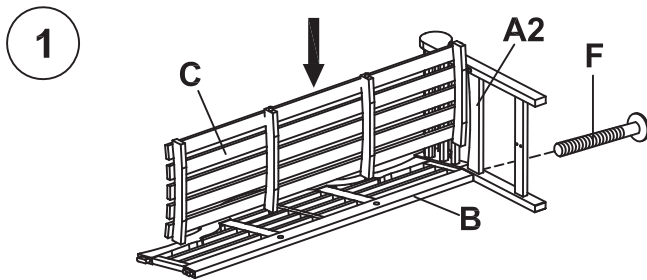
LIST OF HARDWARE PARTS :

F	 2" BOLT 4 PCS + 1	I	 1" SCREW 4 PCS + 1
G	 1" BOLT 2 PCS + 1	J	 3/4" SCREW 2 PCS + 1
H	 1 1/4" SCREW 4 PCS + 1	K	 WOODEN CAP 6 PCS + 1

NOTE : 1. PLEASE READ THE INSTRUCTION SHEET CAREFULLY BEFORE YOU START ASSEMBLY.

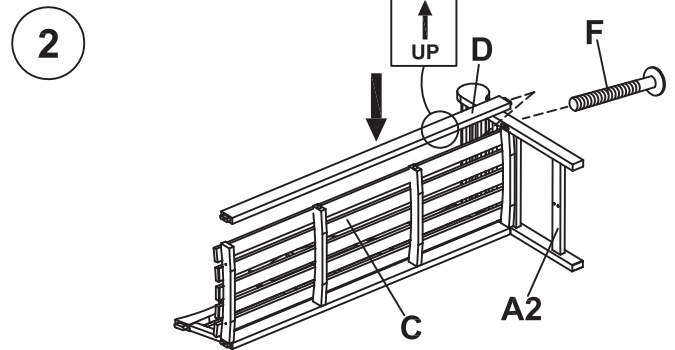
2. PLEASE DO NOT TIGHTEN THE BOLTS UNTIL ALL BOLTS ARE IN THE CORRECT POSITION AS SHOWN IN THE DIAGRAM.

3. PHILLIP'S SCREWDRIVER IS NEEDED IN ASSEMBLING (NOT PROVIDED).

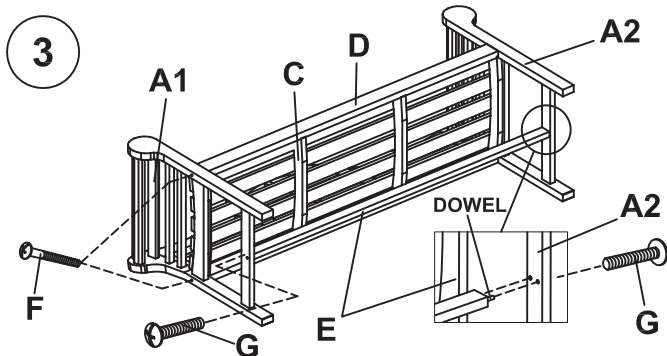


Attach the back support (B) left side frames (A2) and secure using 2" bolts (F) as shown.
Put the seat (C) into predrilled holes of back support (B).

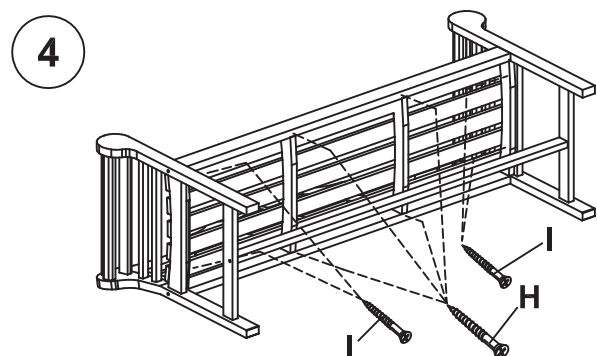
** DO NOT TIGHTEN BOLTS YET.



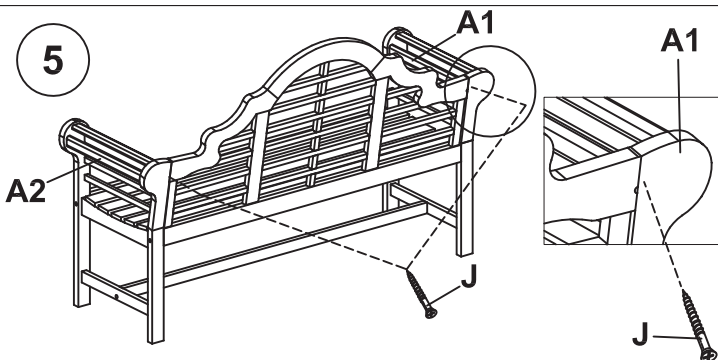
Attach apron (D) onto seat (C) and left side frame (A2) and secure using 2" bolt (F) as shown.



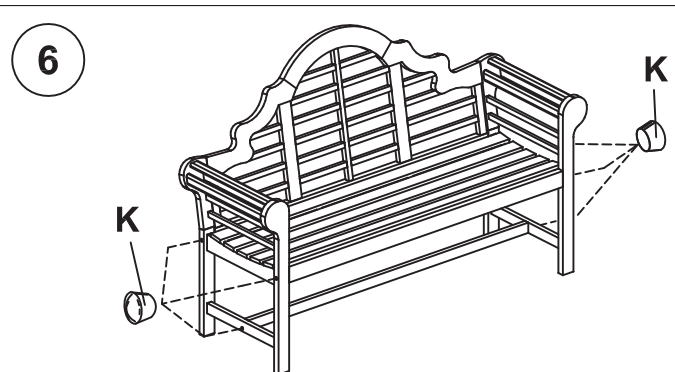
Attach right side frame (A1) into back support and apron and secure 2" bolts (F).
Next, attach the cross bar (E) into side frames (A1 & A2) and secure using 1" bolts (G) as shown.



Secure the seat (C) using 2" screws (H) into back support and apron and 1" screws (I) into side frames.
Make sure all parts are correctly connected and tighten all bolts completely using screwdriver.



Upright the bench.
Insert 3/4" screws (J) into predrilled holes of side frames (A1 & A2) as diagram shown.
Tighten the screws using phillips screwdriver.



- Tapping in the wooden caps (K) to cover bolts head using rubber mallet.

ASSEMBLY COMPLETE!

IT- 150051T