

ASSEMBLY INSTRUCTIONS




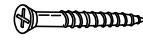
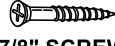

LIST OF WOODEN PARTS

NO	DESCRIPTION	Q'TY
A1	RIGHT SIDE FRAME	1 PC
A2	LEFT SIDE FRAME	1 PC
B	BACK SUPPORT	1 PC
C	SEAT	1 PC
D	APRON	1 PC
E	LEG SUPORT	1 PC

QUESTION ?

Identify all parts and hardware. If any pieces are missing call our toll free number at 1-888-287-4275 from 9:00 am to 5:00 pm CST (Monday to Friday) for replacement parts. For faster service, have the style number handy when calling.

LIST OF HARDWARE PARTS :

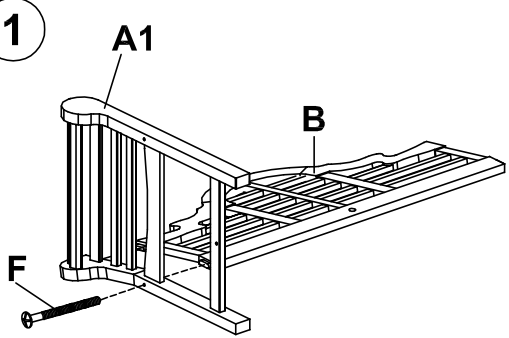
F		I	
	2" BOLT 4 PCS + 1		1" SCREW 4 PCS + 1
G		J	
	1" BOLT 2 PCS + 1		1 1/2" SCREW 2 PCS + 1
H		K	
	7/8" SCREW 2 PCS + 1		WOODEN CAP 6 PCS + 1

NOTE : 1. PLEASE READ THE INSTRUCTION SHEET CAREFULLY BEFORE YOU START ASSEMBLY.

2. PLEASE DO NOT TIGHTEN THE BOLTS UNTIL ALL THE BOLTS ARE IN THE CORRECT POSITION AS SHOWN IN THE DIAGRAM.

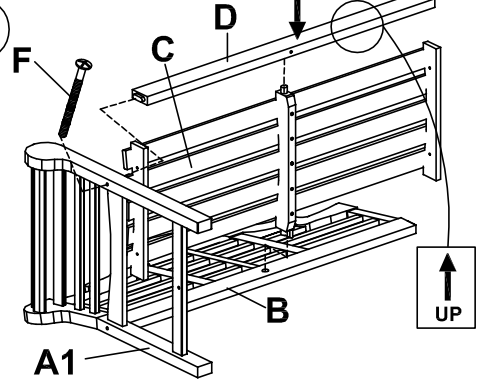
3. PHILLIP'S SCREWDRIVER IS NEEDED FOR ASSEMBLING. (NOT PROVIDED)

1



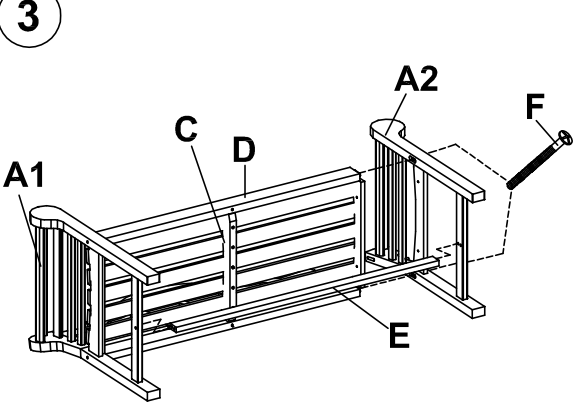
- Attach back support tenon (B) into the matching holes of right side frame (A1), secure using 2" bolt (F), as shown.
- Do not fully tighten all bolt yet.

2



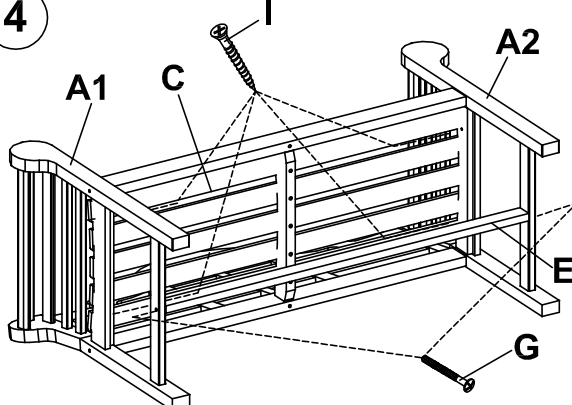
- Put seat (C) onto back support (B) and apron (D) onto seat (C), as shown.
- Secure using 2" bolt (F), as shown.
- Do not fully tighten all bolt yet.

3



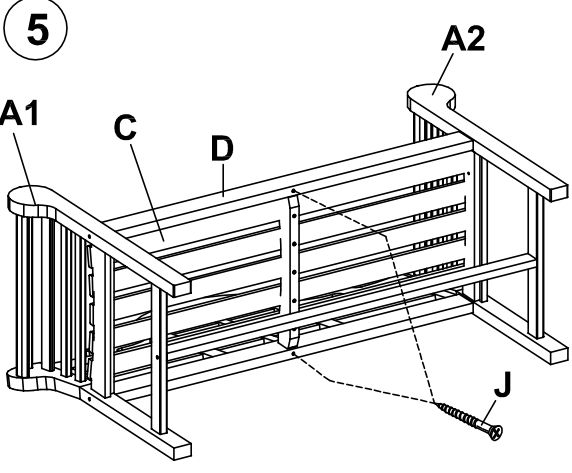
- Attach left side frame (A2) into pre assembled bench and secure using two 2" bolts (F), as shown.
- Put tenon of leg support (E) into the matching holes of right & left side frames (A1&A2), as shown.

4



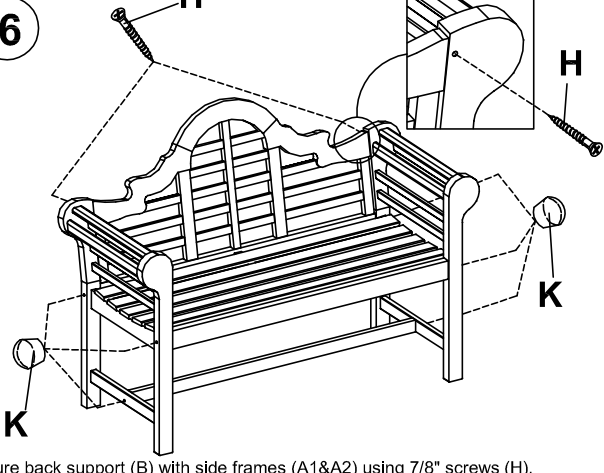
- Joining seat (C) and side frames (A1&A2) by Inserting 1" screws (I), as shown.
- Secure leg support (E) using 1" bolts (G).

5



- Secure back support (B), seat (C) and apron (D) using 1 1/2" screws (J), as shown.
- Upright the bench.

6



- Secure back support (B) with side frames (A1&A2) using 7/8" screws (H), as shown.
- Make sure all parts are connected and tighten all bolts and screw completely before tapping in the wooden caps (K).