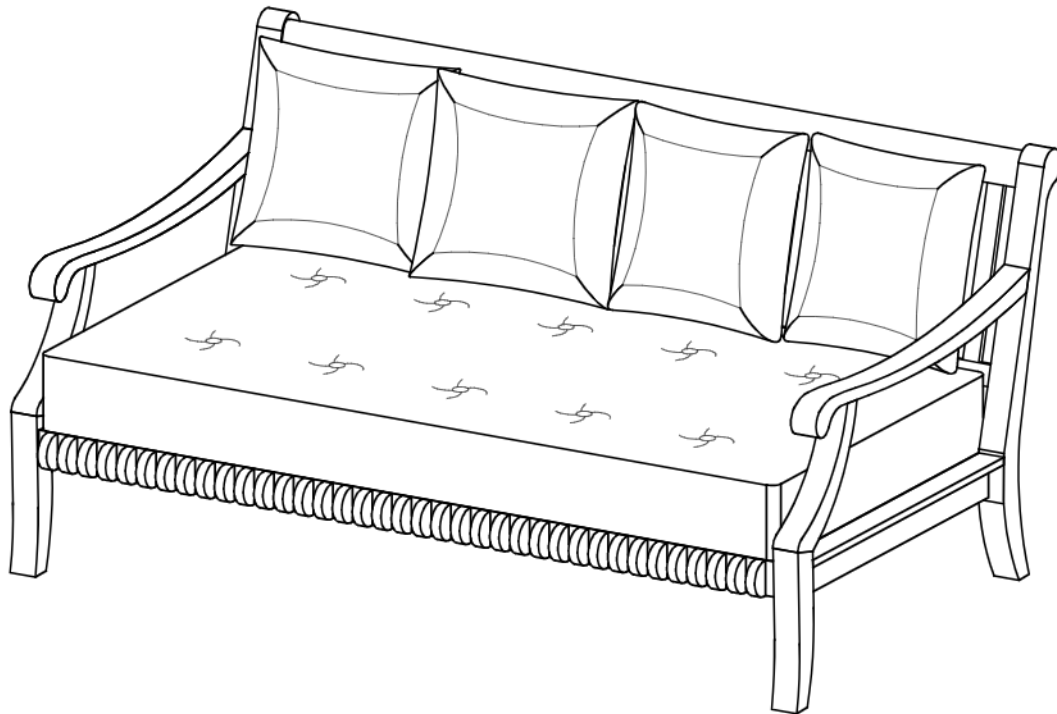


ASSEMBLY INSTRUCTIONS
TEAK DAYBED WITH CUSHION
IT-460171T



CUSTOMER SERVICE INFORMATION

Please email us at info@cambridge-casual.com for assembly tips, report damage, or request parts.
For faster response, please write down item number, code for missing parts,
attach the purchase receipt and picture of damaged parts.
Toll free number : 1-888-287-4275 from 9:00 am to 5.00pm CST (Monday to Friday).

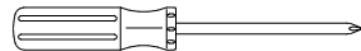
GENERAL INFORMATION & TIPS

1. Please read the assembly instructions prior to assembling the daybed.
2. To avoid damage, assemble the daybed on a non-abrasive surface such as carpet.
3. Make sure all bolts tightly fastened before use the daybed.
4. This daybed is not for commercial use.



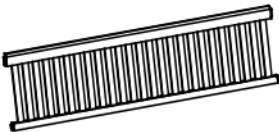

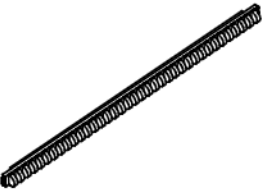
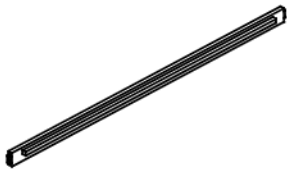


Please make sure you have all parts before beginning assembly. Please wait until all steps are completed before tightening bolts.

TOOLS REQUIRED :

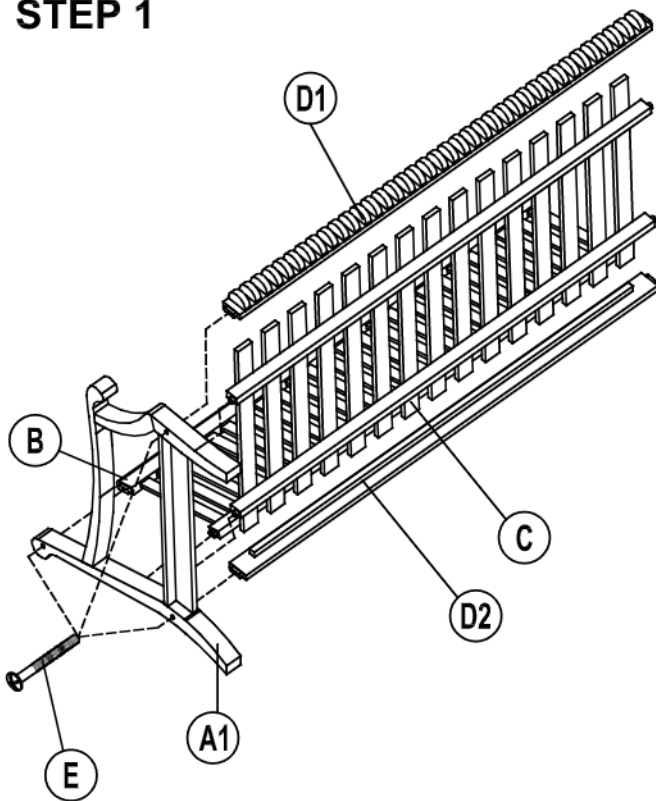
1. 8" Philips screwdriver (Not provided).
- For tightening all screws.
2. Rubber Mallet (Not provided).
- For tapping in the wooden caps.



PARTS AND HARDWARE LIST

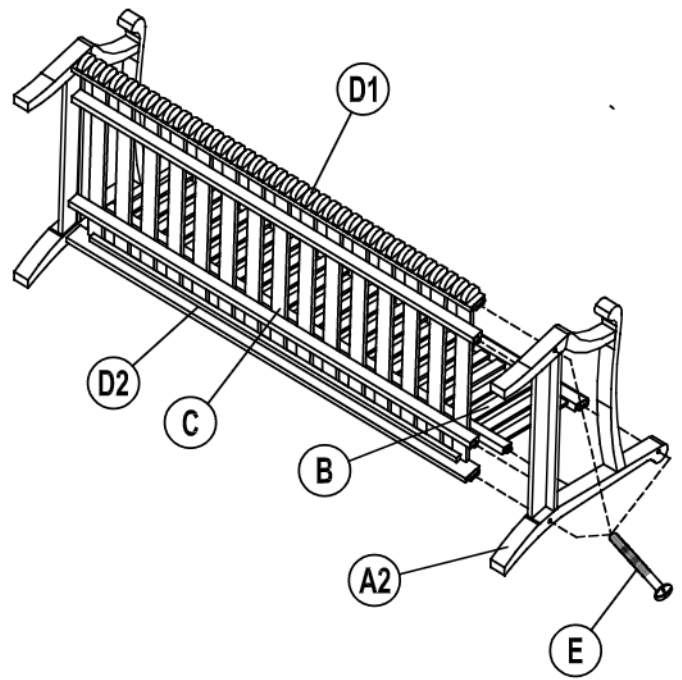
A1. Right Side Frame	A2. Left Side Frame	B. Back Support	C. Seat
			
Qty : 1 Pcs	Qty : 1 Pcs	Qty : 1 Pc	Qty : 1 Pc
D1. Front Apron	D2. Back Apron	E. 2" Bolt	F. Wooden Cap
			
Qty : 1 Pc	Qty : 1 Pc	Qty : 6 + 1 Pcs	Qty : 6 + 1 Pcs

STEP 1



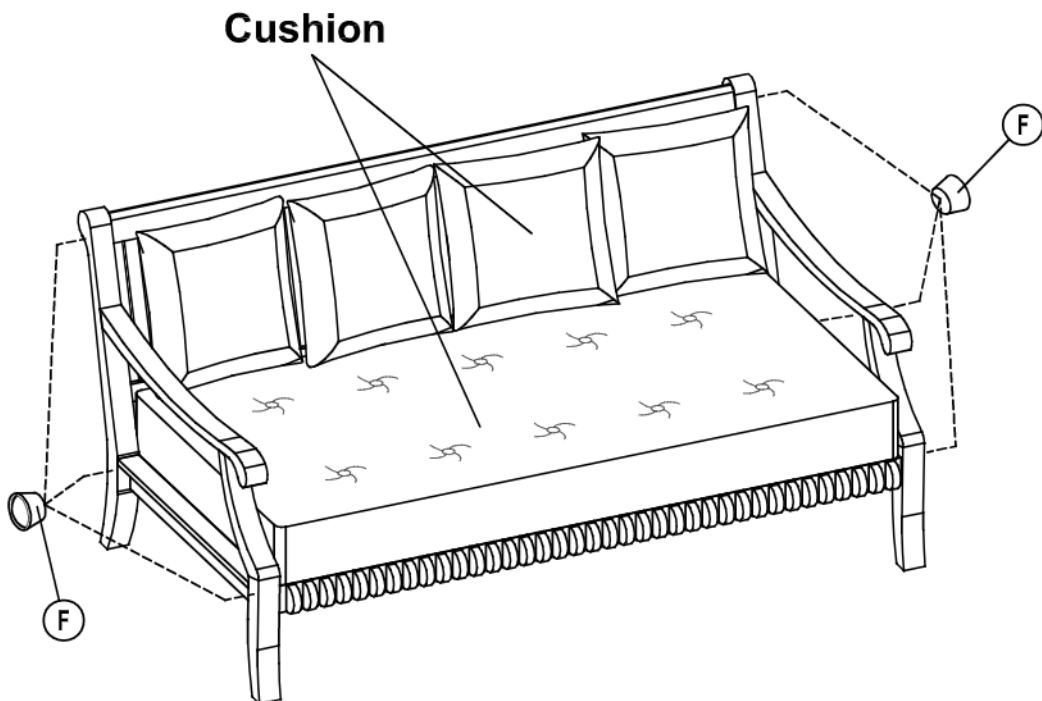
Attach the back support (B), front apron (D1), back apron (D2) and Seat (C) into right side frame (A1). Secure using " bolts (E), As shown. Do not tighten bolts yet.

STEP 2



Attach left side frame (A2) to the assembly from step 1, and secure using 2" bolts (E). Tighten all bolts using screwdriver.

STEP 3



Make Sure all parts are correctly connected and tighten all bolts completely using screwdriver. Tapping in the wooden cap (F) to cover bolts head using rubber mallet
Instal the cushion.

CONGRATULATION !

MAINTENANCE

Due to teak wood's natural characteristics, wood color and grain variations may be present. This is a symbol of the originality of each unit and gives each finished piece a distinctive look and inherent charm.

Care Instruction :

Teak wood, when left bare and unsanded, will naturally fade to a silver-gray color. This silver-gray color transformation does not in any way affect the durability of the furniture.

To maintain the smooth finish and golden brown color of your teak furniture, you will need to sand the furniture regularly. To prolong the period of time needed between sanding, teak oil may also be applied.

If you choose to apply teak oil, apply every 6 months, or follow the teak oil container directions. Again, if you choose to maintain the smooth brown finish of your teak furniture, this method requires some regular maintenance, such as sanding and reapplication of teak oil. Teak oil, along with sanding, will help maintain the golden brown color.

Staining :

Please note, once you stain your teak, it will not return to the natural golden brown or weathered silver-gray color without sanding off the stain. Staining is intended to be permanent. If you choose to stain your furniture after it has turned silver-gray, you must first sand it before applying the stain.

Cushions :

Outdoor fabrics are designed to be breathable; they are water repellent but are not waterproof. It is recommended that you store the cushions during rainy weather.

The best way to keep your fabrics looking good is to simply clean them as needed. Rinse off dust and dirt, wipe spills as soon as they occur, or spot clean soon after stains occur. Removable cushion covers may be machine-washed in cold water with mild laundry soap and air dried.

Do not leave your teak wood furniture in puddles of water or on wet ground.

Cover your teak wood furniture during winter months or move into covered storage, if in wet climates.

The manufacturer supports protection of the world's forest resources and is diligent in sourcing legally harvested wood.

Thank you

The manufacturer

1 year Limited Warranty

The furniture is warranted to be free from defects in material and workmanship of the original product when purchased from one of our authorized dealers. If a product fails and is under the terms of our limited warranty, the item will be replaced, usually for a small fee. In the case of discontinued models, an item of similar quality and style will be offered to the customer.

- 1 year limited frame warranty
Frames are warranted to be free from defects in material and workmanship. Fading or discoloring caused by putting the product under sunlight or rain is not covered by this limited warranty. Damage to the frame due to improper assembly or exposure to water and sub-freezing temperatures is not covered. (Do NOT allow water to accumulate inside frame)
- Finish
The finish is warranted against peeling, cracking, or blistering for a period of 1 year, provided the unit has not been scratched or abraded. Scratches and chips resulting from normal wear and use are not covered. Peeling resulting from exposure to elements is not covered.
- Fabric
Fabrics / cushions are warranted against separation at the seams and fading under normal usage and exposure conditions for a period of 1 year. Mildew and fading or discoloration resulting from exposure to the elements, chemicals, or from spills is not covered. (Please refer to care and maintenance for proper cleaning instructions)

Warranty Exclusions : Furniture used for commercial, contractor or any non-residential purposes, clearance items, display models or items purchased “as is”, freight damage, furniture damaged by acts of nature, vandalism, fire, abuse, lack of proper care and maintenance, or improper assembly, straps and fabric against fading or discoloration from exposure to elements, oil spills, fluids or chemicals; glass against breakage; hardware against corrosion or rusting; buckling or splitting of tubing resulting from exposure to water and freezing temperatures. Also excluded: loss of use or time, inconvenience, money, travel, packaging or any other consequential or incidental damages. In no event shall the manufacturer's responsibility exceed the value of the replacement product.

Warranty is to the original purchaser when items are purchased from one of our authorized retailers and is not transferable. All warranty claims must be submitted with a dated register receipt within the warranty period. Should replacement of the warranty item be unavailable, the manufacturer reserves the right to substitute items of our choice that are of similar style and quality. For quality control purposes and verification, we reserve the right to request photography of the damage item(s). The terms of this warranty are subject to change without notice.