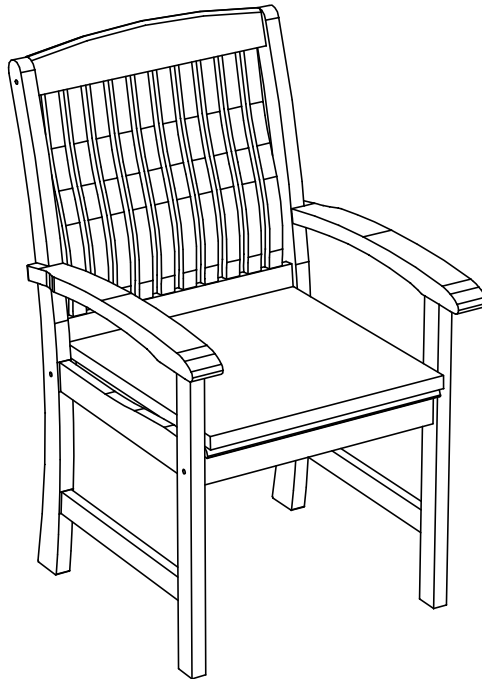




**CAMBRIDGE  
CASUAL**

## **ASSEMBLY INSTRUCTIONS**

# **ARM CHAIR CC-120399**



### **CUSTOMER SERVICE INFORMATION**

**Please do not return to the store. If any pieces are missing call our toll free number at 1-888-287-4275 from 9:00 am to 5.00 pm CST (Monday to Friday) for replacement parts. For faster service, have the style number handy when calling.**



**CAMBRIDGE  
CASUAL**

## GENERAL INFORMATION & TIPS

1. Please read the assembly instructions prior to assembling the chair.
2. To avoid damage, assemble the chair on a non-abrasive surface such as carpet.
3. Make sure all bolts tightly fastened before the chair is used.
4. This chair is not for commercial use.

Please make sure you have all parts before beginning assembly. Please wait until all steps are completed before tightening bolts.

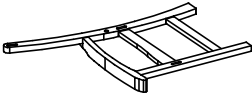
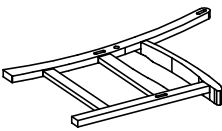
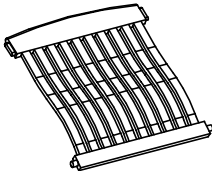





1. A Phillips screwdriver is necessary for assembly.  
It's not included in hardware list.



2. A Rubber mallet is necessary for assembly.  
It's not included in hardware list.

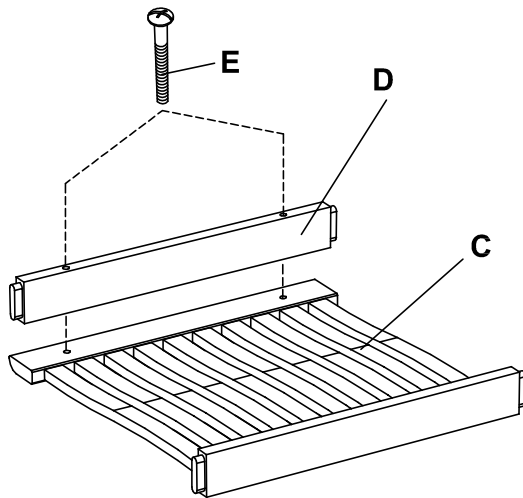


## PARTS AND HARDWARE LIST

A1. Right side frame	A2. Left side frame	B. Back support	C. Seat
			
QTY: 1 pc	QTY: 1 pc	QTY: 1 pc	QTY: 1 pc
D. Apron			
			
QTY: 1 pc			
E. 2 1/4" Bolt	F. 1" Bolt	G. Wooden Cap	
			
QTY: 2 pcs + 1	QTY: 6 pcs + 1	QTY: 6 pcs +1	

# ASSEMBLY INSTRUCTIONS

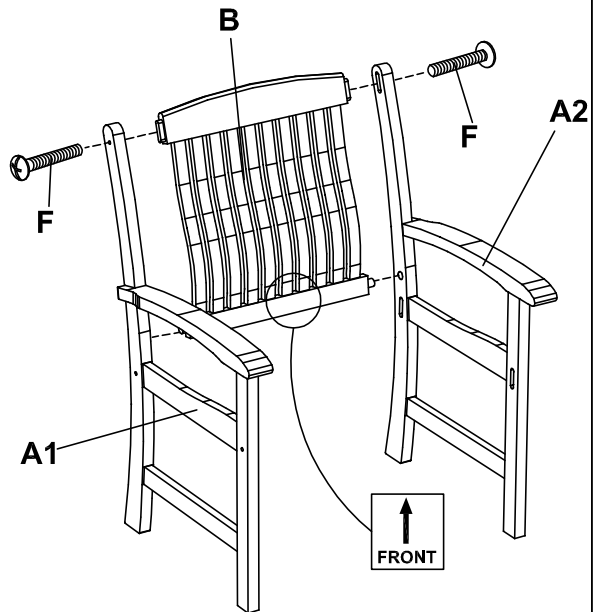
## STEP 1



Attach the apron (D) into bottom of seat (C) and secure using 2 1/4" bolts (E).

\*\* DO NOT TIGHTEN BOLTS YET.

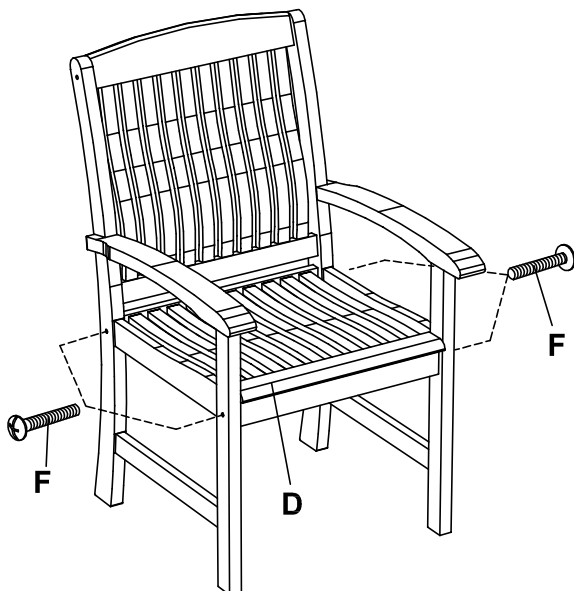
## STEP 2



Attach right and left side frames (A1 & A2) into back support (B). Secure using 1" bolts (F).

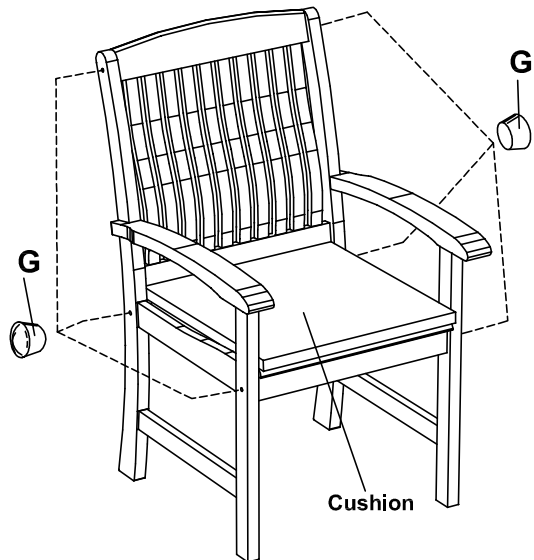
\*\* DO NOT TIGHTEN BOLTS YET.

## STEP 3



Next, attach the pre-assembled seat into right and left side frames (A1 & A2). (The seat with apron must be attached in front). Secure seat using 1" bolts (F) as shown. Tighten all bolts using screwdriver.

## STEP 4



- Make sure all parts are correctly connected and tighten all bolts completely using screwdriver.
- Tapping in the wooden caps (G) to cover bolts head using rubber mallet.
- Install the cushion on the chair.

**THE CHAIR IS NOW READY FOR USE.**

