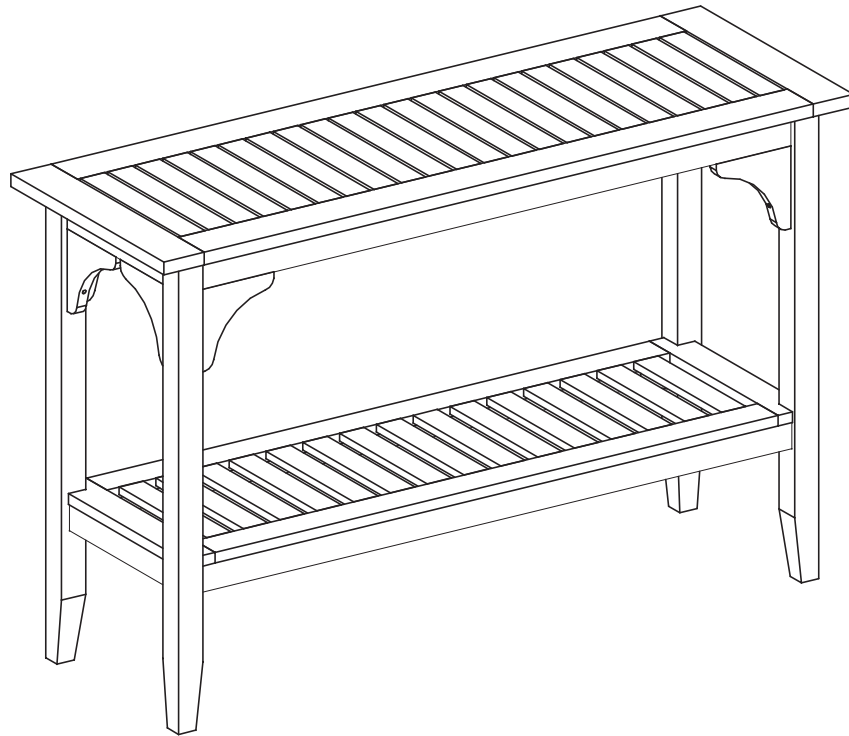


ASSEMBLY INSTRUCTIONS
CONSOLE TABLE
IT-350229T



CUSTOMER SERVICE INFORMATION

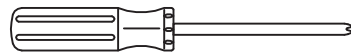
Please do not return to the store. If any pieces are missing call our toll free number at 1-888-287-4275 from 9:00 am to 5:00 pm CST (Monday to Friday) for replacement parts. For faster service, have the style number handy when calling.

GENERAL INFORMATION & TIPS

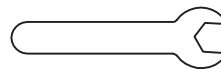
1. Please read the assembly instructions prior to assembling the console table.
2. To avoid damage, assemble the console table on a non-abrasive surface such as carpet.
3. Make sure all bolts and nuts tightly fastened before the console table is used.
4. This console table is not for commercial use.

Please make sure you have all parts before beginning assembly. Please wait until all steps are completed before tightening bolts and nuts.

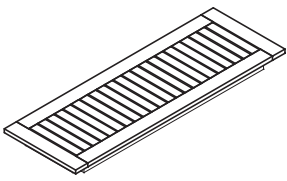
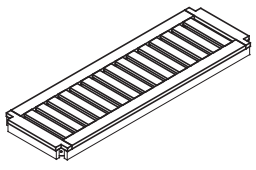

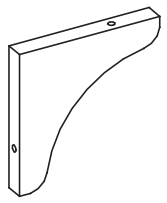


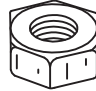


1. 8" Phillips screwdriver (not included)
- For tightening all bolts



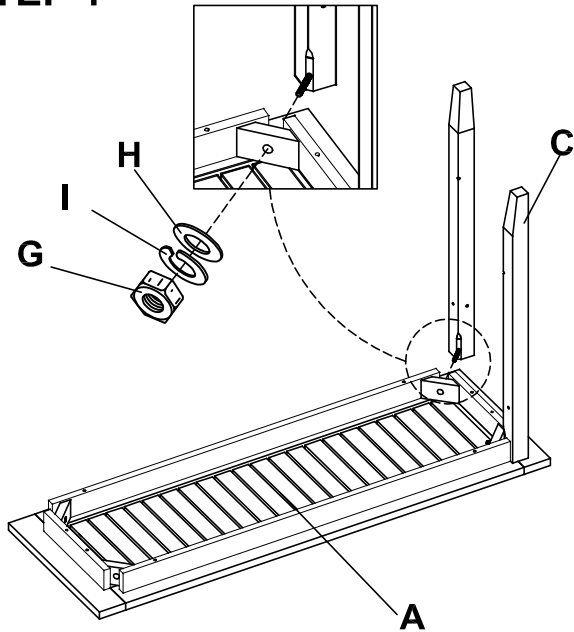
2. A Wrench is necessary for assembly
it's included in hardware list.



PARTS AND HARDWARE LIST

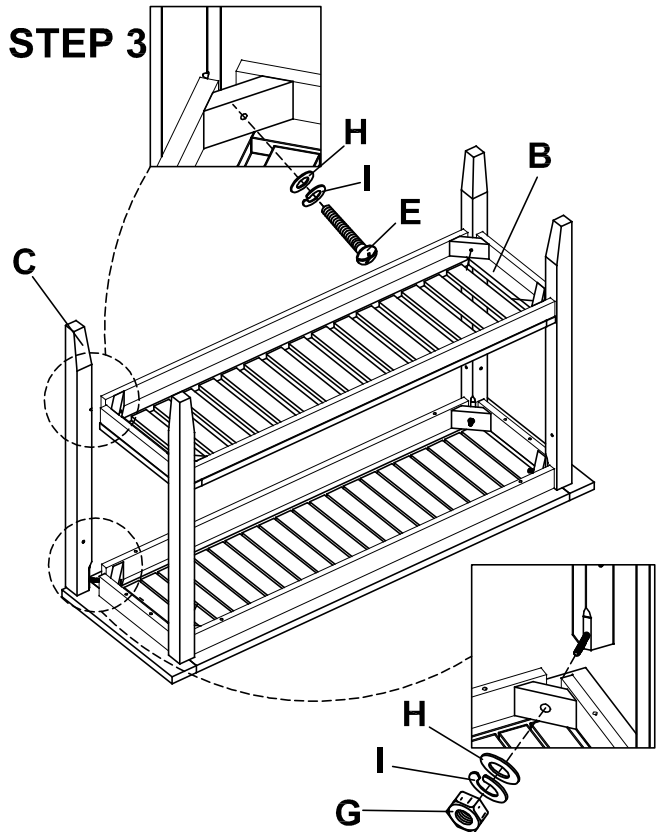
A. Table top	B. Tray	C. Leg	D. Support
			
QTY: 1 Pc	QTY: 1 pc	QTY: 4 pcs	QTY: 8 pcs
E. 1 3/4" Bolt	F. 1 1/2" Screw	G. Nut	H. Washer
			
QTY: 4 Pcs + 1	QTY: 16 Pcs + 1	QTY: 4 pcs	QTY: 8 Pcs + 1
I. Spring washer			
			
QTY: 8 Pcs +1			

STEP 1



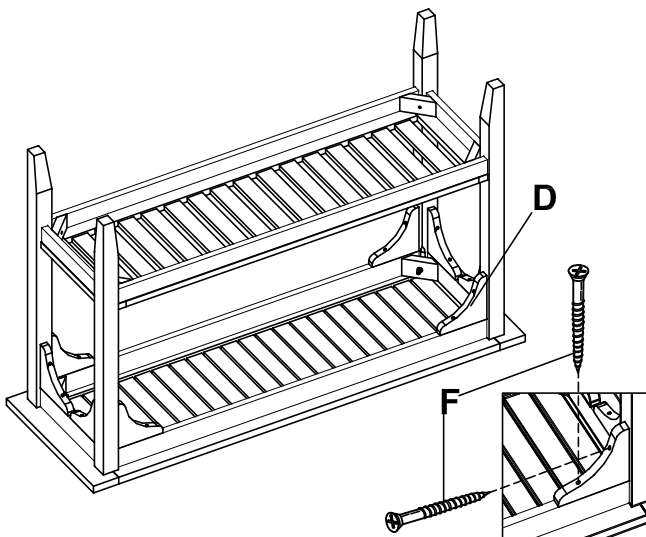
- ATTACH TWO LEGS (C) ONTO CORNER TABLE TOP (A) (AS SHOWN). SECURE WITH NUTS (G), SPRING WASHER (I) AND WASHER (H) USING WRENCH. NOT TIGHTEN ALL NUTS YET

STEP 3



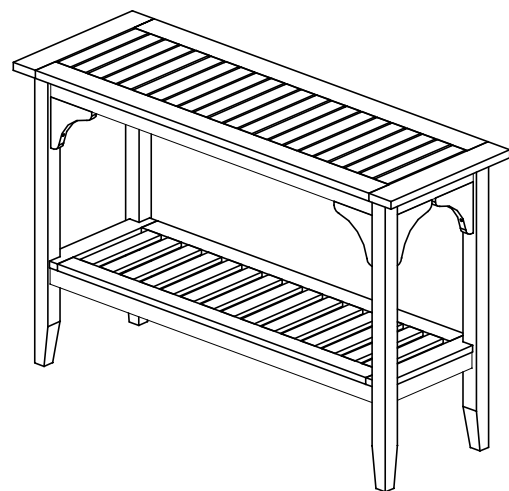
- ATTACH THE TRAY (B) ONTO MIDDLE LEG. SECURE WITH 1 3/4" BOLTS (E), SPRING WASHER (I), AND WASHER (H) USING SCREWDRIVER.
- NEXT, ATTACH LEG (C) ONTO TOP TABLE (A) SECURE WITH NUTS (G), SPRING WASHER (I) AND WASHER (H) USING WRENCH.

STEP 2



- ATTACH SUPPORT (D) ONTO EACH SIDE LEGS (C) AS SHOWN. SECURE WITH 1 1/2" SCREW (F) TIGHTEN ALL SCREW USING SCREWDRIVER.

STEP 4



- MAKE SURE ALL PARTS ARE CORRECTLY COMPLETED AND TIGHTEN ALL BOLTS COMPLETELY USING SCREWDRIVER AND WRENCH..

CONGRATULATION !
THE TABLE IS NOW READY FOR USE.