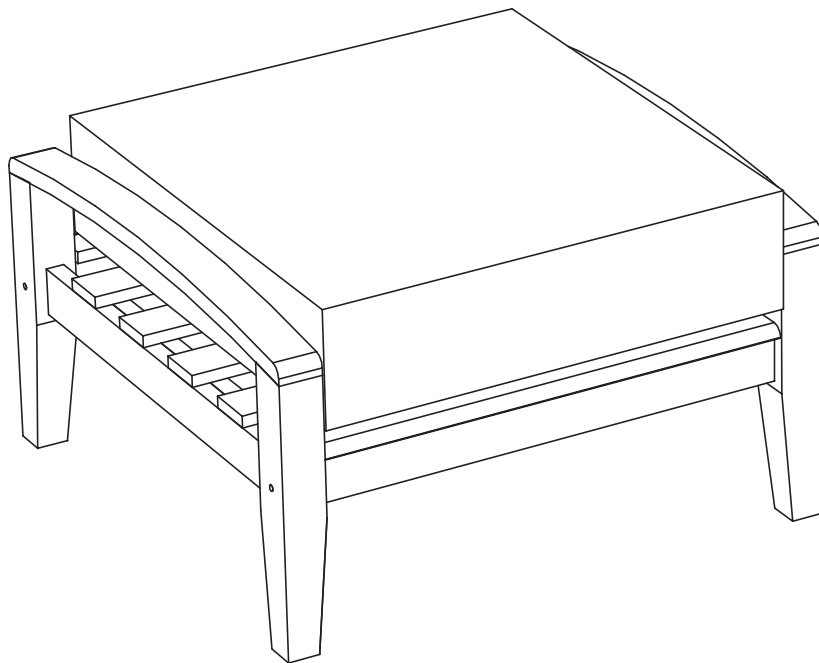


## ASSEMBLY INSTRUCTIONS

# TEAK OTTOMAN IT-280217T



### CUSTOMER SERVICE INFORMATION

**Please do not return to the store. If any pieces are missing call our toll free number at 1-888-287-4275 from 9:00 am to 5:00 pm CST (Monday to Friday) for replacement parts. For faster service, have the style number handy when calling.**

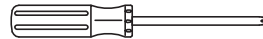
---

## GENERAL INFORMATION & TIPS

1. Please read the assembly instructions prior to assembling the stool.
2. To avoid damage, assemble the stool on a non-abrasive surface such as carpet.
3. Make sure all bolts tightly fastened before the teak stool is used.
4. This teak stool not for commercial use.

Please make sure you have all parts before beginning assembly. Please wait until all steps are completed before tightening bolts.

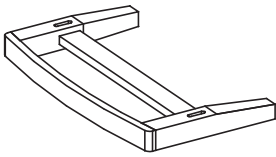
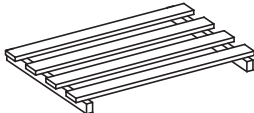
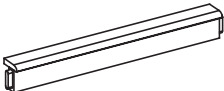
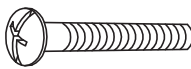


1. A Phillips screwdriver is necessary for assembly.  
It's not included in hardware list.



2. A Rubber mallet is necessary for assembly.  
It's not included in hardware list.

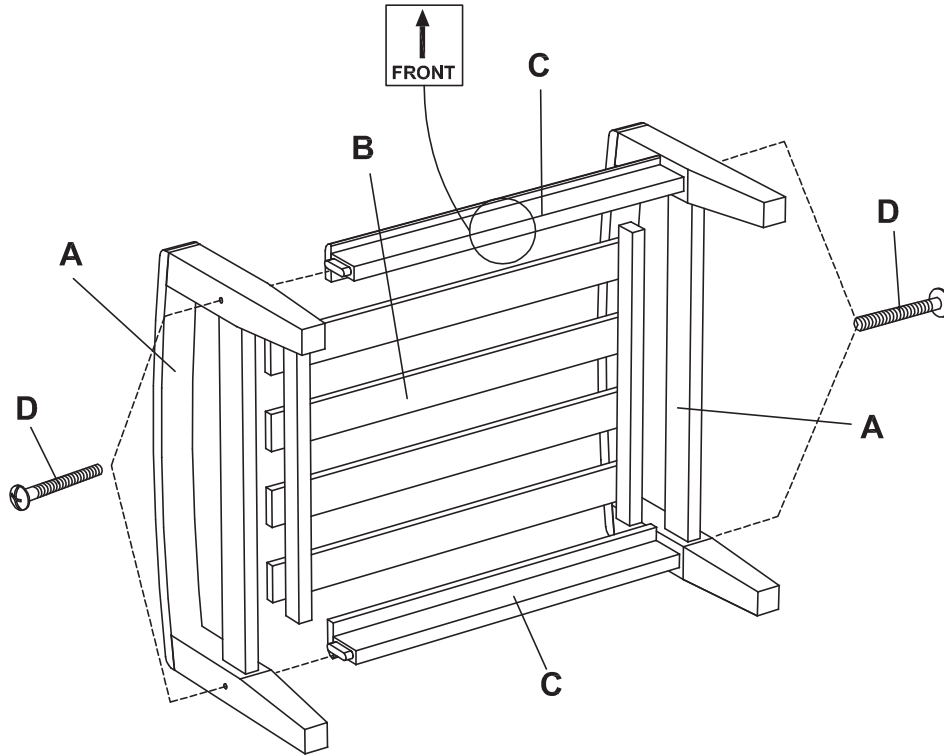


## PARTS AND HARDWARE LIST

A. Leg frame	B. Stool	C. Apron
		
QTY: 2 pcs	QTY: 1 pc	QTY: 2 pcs
D. 2" Bolt	E. 1" Screw	F. Wooden cap
		
QTY: 4 pcs + 1	QTY: 4 pcs + 1	QTY: 4 pcs +1

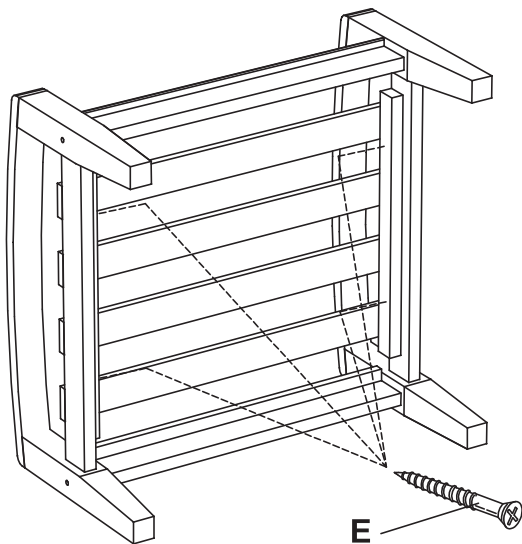
# ASSEMBLY INSTRUCTIONS

## STEP 1



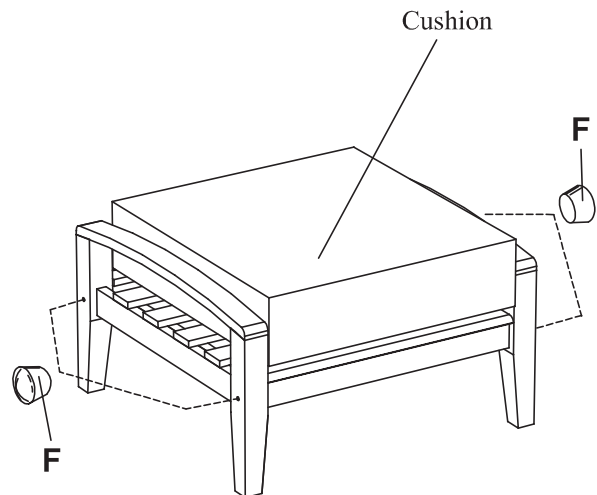
Attach the aprons (C) and stool (B) into leg frames (A) and secure using 2" bolts (D).  
( Apron with round edge must attached in front )  
Tighten the bolts using screwdriver.

## STEP 2



- Secure the seat using 1" screws (E) as shown. Tighten screws using screwdriver.
- Upright the stool.

## STEP 3



- Make sure all parts are correctly connected and tighten all bolts and screws completely using screwdriver.
- Tapping in the wooden caps (F) to cover bolts head using rubber mallet.
- Install the cushion.

**THE TEAK OTTOMAN IS NOW READY FOR USE.**