

ASSEMBLY INSTRUCTIONS

TEAK COFFEE TABLE IT-170277T



CUSTOMER SERVICE INFORMATION

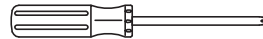
Please do not return to the store. If any pieces are missing call our toll free number at 1-888-287-4275 from 9:00 am to 5.00 pm CST (Monday to Friday) for replacement parts. For faster service, have the style number handy when calling.

GENERAL INFORMATION & TIPS

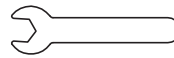
1. Please read the assembly instructions prior to assembling the table.
2. To avoid damage, assemble the table on a non-abrasive surface such as carpet.
3. Make sure all nuts tightly fastened before the table is used.
4. This table is not for commercial use.

Please make sure you have all parts before beginning assembly. Please wait until all steps are completed before tightening nuts.

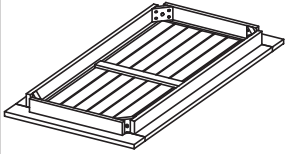
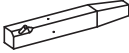





1. A Phillips screwdriver is necessary for assembly.
It's not included in hardware list.



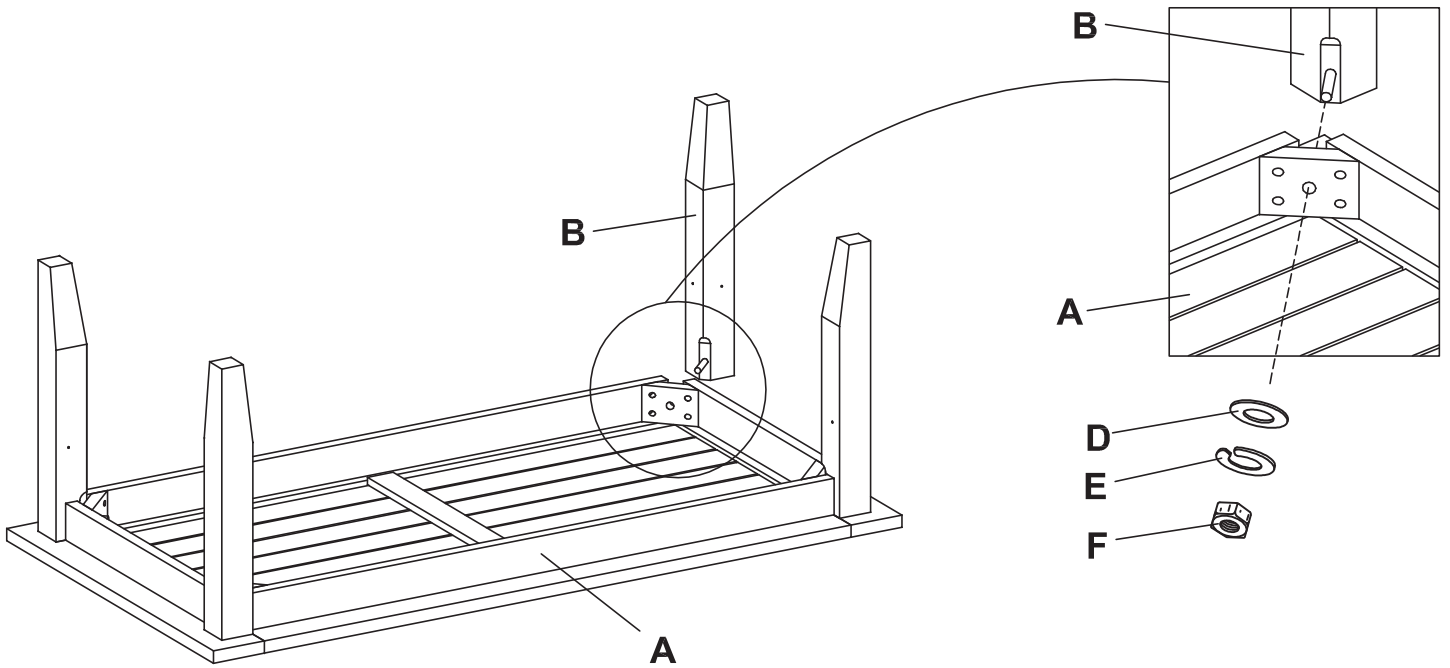
2. Wrench is necessary for assembly.
It's included in hardware list.



PARTS AND HARDWARE LIST

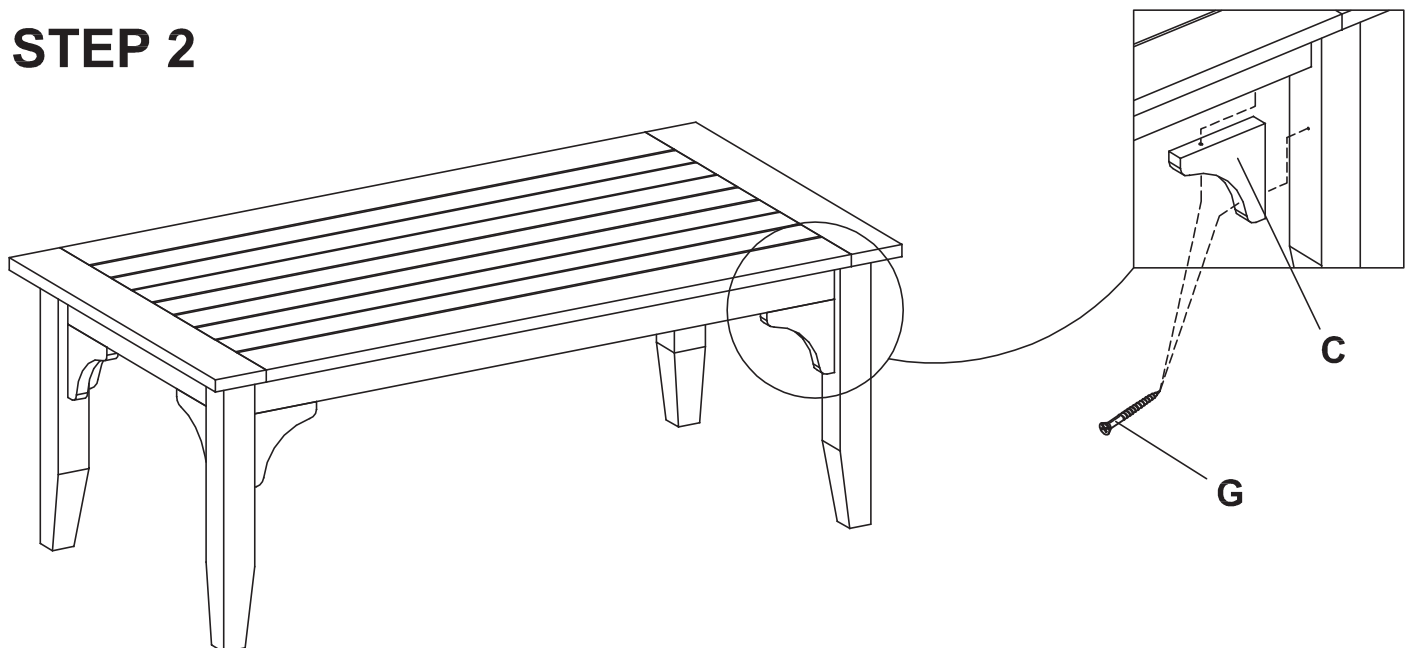
A. Table top	B. Leg frame	C. Table support
		
QTY: 1 pc	QTY: 4 pcs	QTY: 8 pcs
D. Washer	E. Spring washer	F. Nut
		
QTY: 4 pcs + 1	QTY: 4 pcs + 1	QTY: 4 pcs + 1
G. 1 1/4" Screw		
		
QTY: 16 pcs + 1		

STEP 1



- Attach the leg frames (B) into each corner of table top (A).
- Assemble the washers (D), Spring washers (E) and nuts (F) to leg frames (B). Tighten the nut using wrench.

STEP 2



- Next, attach the table support (C) into each corner of leg frames and secure using 1 1/4" screws (G) as diagram shown.
- Make sure all parts are correctly connected and tighten all screws using screwdriver.

THE COFFEE TABLE IS NOW READY FOR USE.