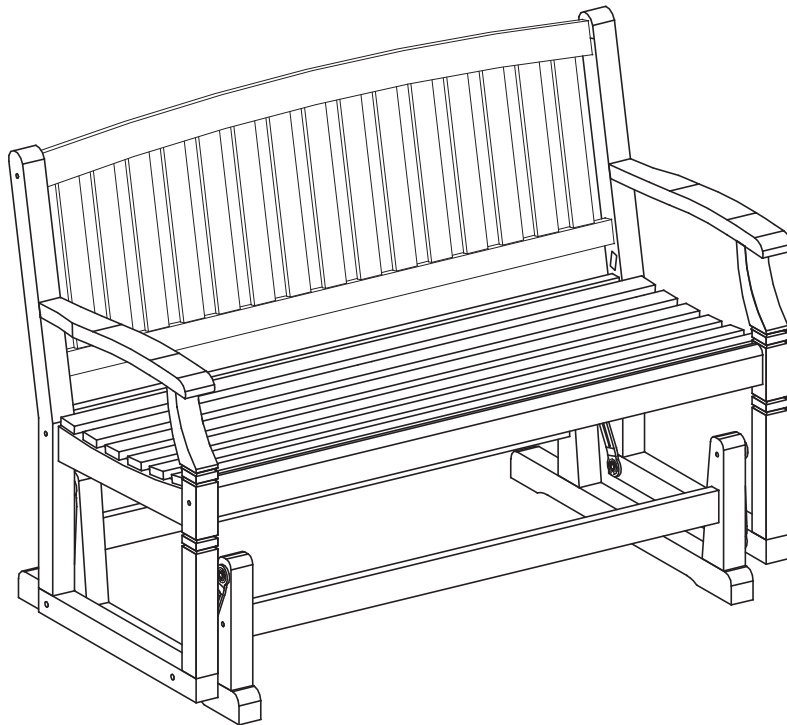


ASSEMBLY INSTRUCTIONS

4' TEAK GLIDER IT-130565T



CUSTOMER SERVICE INFORMATION

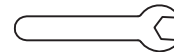
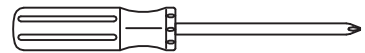
Please do not return to the store. If any pieces are missing call our toll free number at 1-888-287-4275 from 9:00 am to 5:00 pm CST (Monday to Friday) for replacement parts. For faster service, have the style number handy when calling.

GENERAL INFORMATION & TIPS

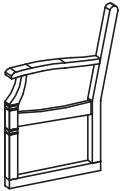
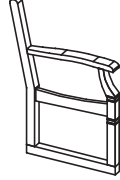
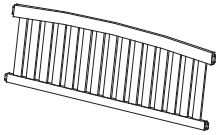
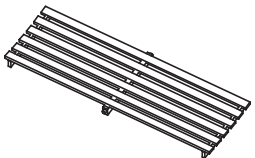
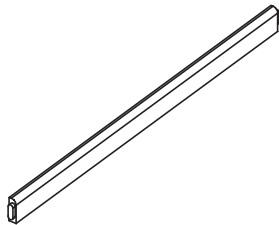
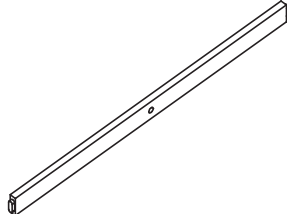
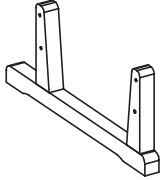
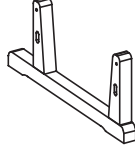
1. Please read the assembly instructions prior to assembling the glider.
2. To avoid damage, assemble the glider on a non-abrasive surface such as carpet.
3. Make sure all bolts, screws and nuts tightly fastened before the glider is used.
4. This glider is not for commercial use.

Please make sure you have all parts before beginning assembly. Please wait until all steps are completed before tightening bolts, screws and nuts.

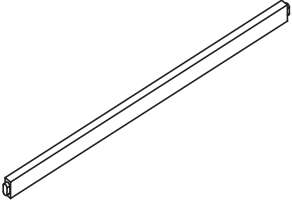
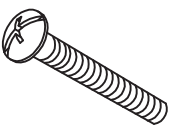
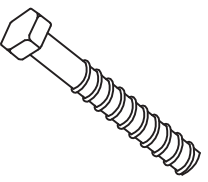

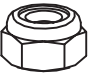



1. 8" Phillips screwdriver
- For tightening all bolts and screws.
2. Rubber Mallet
- For tapping in the wooden caps.
3. Wrench
- For tightening all nuts (included)



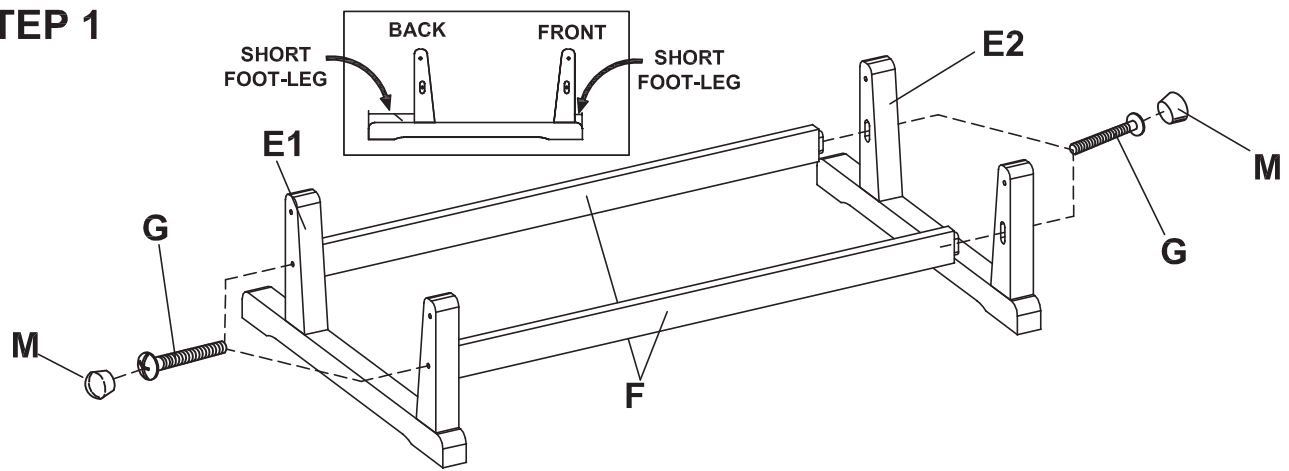
PARTS AND HARDWARE LIST

A1. Right side frame	A2. Left side frame	B. Back rest	C. Seat
			
QTY: 1 pc	QTY: 1 pc	QTY: 1 pc	QTY: 1 pc
D1. Front Apron	D2. Back apron	E1. Right base side frame	E2. left base side frame
			
QTY: 1 pc	QTY: 1 pc	QTY: 1 pc	QTY: 1 pc

PARTS AND HARDWARE LIST

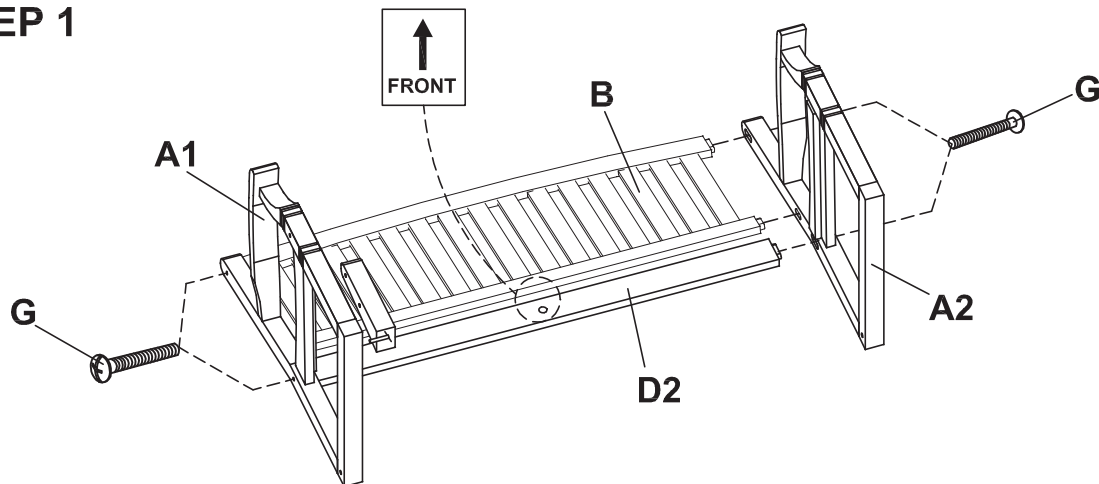
F. Base cross bar	G. Bolt 1 1/2"	H. Bolt 2 1/2"	I. Screw 1"
			
QTY: 2 pcs	QTY: 10 pcs + 1	QTY: 8 pcs	QTY: 6 pcs + 1
J. Nut	K. Washer	L. Gliding stretch	M. Wooden cap
			
QTY: 8 pc	QTY: 8 pcs	QTY: 8 pcs	QTY: 10 pcs

STEP 1



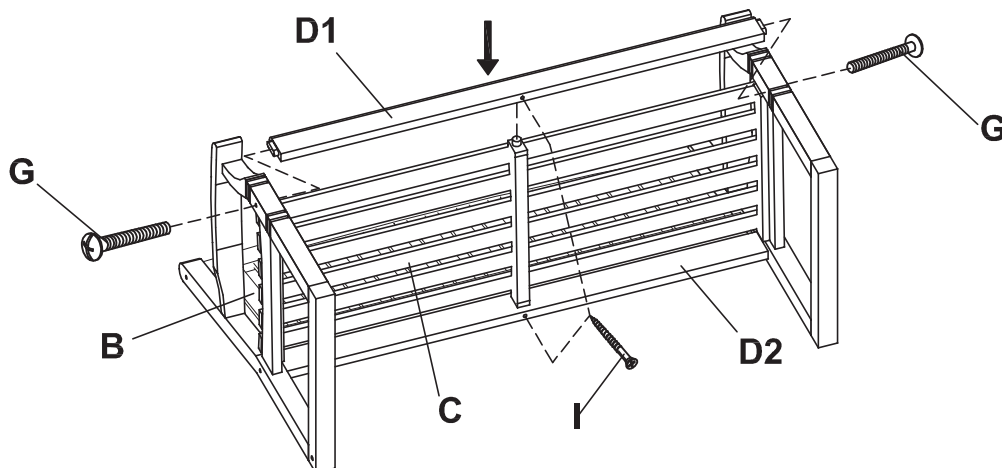
- Attach base cross bars (G) into right & left base side frame (E1&E2) & secure using 1 1/2" bolts (H). Tighten all bolts completely using screwdriver.
- Tapping in the wooden caps (M) to cover bolts head using rubber mallet.

STEP 1

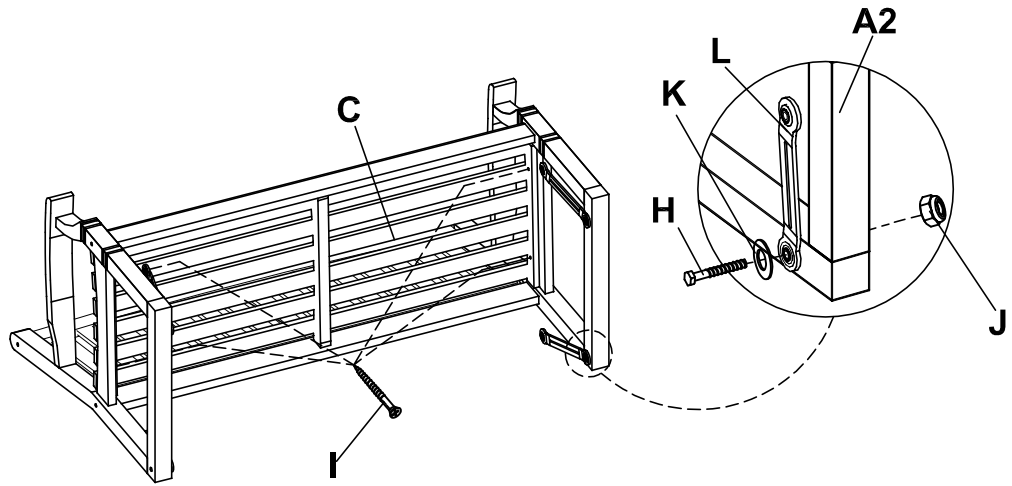


- Attach the back support (B) and back apron (D2) in to right & left side frames (A1 & A2) and secure using 1 1/2" bolts (G).
- ** DO NOT TIGHTEN THE BOLTS YET.

STEP 1



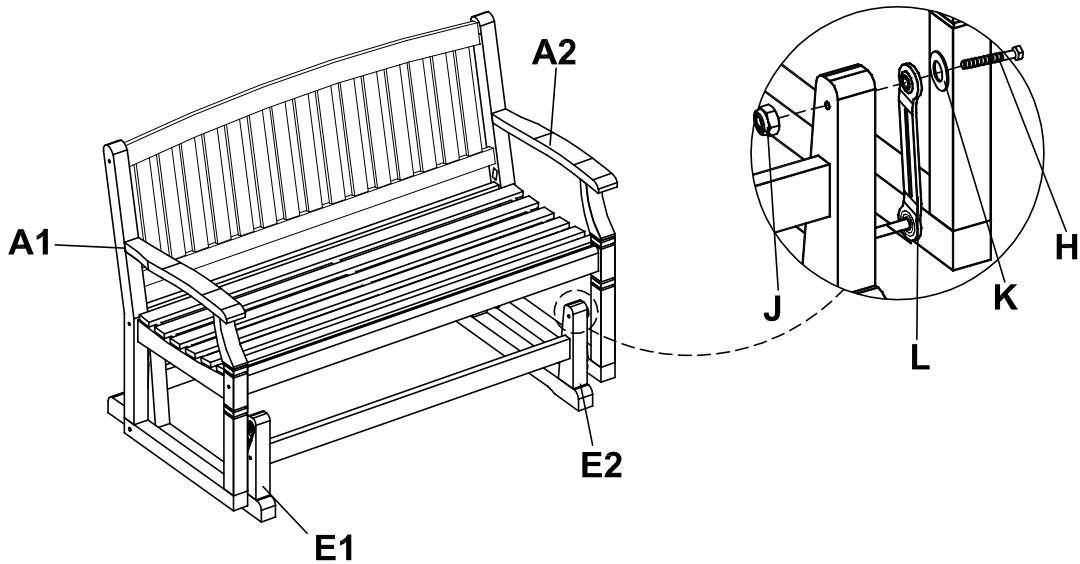
- Put the seat (C) on to back Support (B). Next, attach the front apron (D1) onto seat & secure by inserting right & left side frames (A1 & A2) using 1 1/2" bolts (G).
 - Secure bottom front and back apron (D1 & D2) using 1" screw (I).
- Tighten all bolts and screws using screwdriver.



Secure the seat (C) using 1" screw (I).

Assemble gliding stretch (L) into the leg frames and secure with 2 1/2" bolts (H), Washers (K) & Nuts (J) as diagram shown. Tighten all screws with screwdriver and tighten all bolts and nuts using two provided wrench.

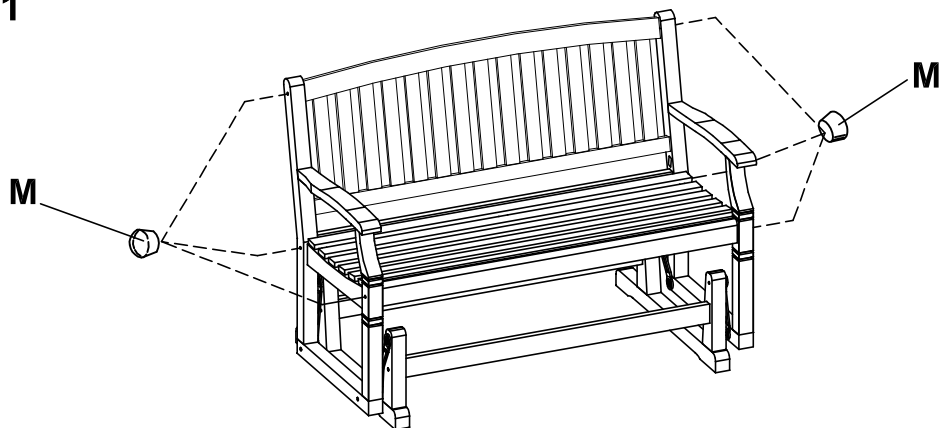
STEP 1



- Attach the pre assembled base side frame (D1&D2) into leg frame (A1&A2).

Assemble gliding stretch (L) into the leg frames and secure with 2 1/2" bolts (H), washers (K) and nuts (J) as diagram shown. Tighten bolts and nuts using two provided wrench

STEP 1



Make sure all parts are correctly connected and tighten all bolts and nuts using screwdriver and wrench.

Tipping the wooden caps (M) to cover bolts head using rubber mallet.

** Apply a drop oil (NOT SUPPLIED) on gliding stretch for smoother operation if needed.

CONGRATULATIONS!

THE GLIDER IS NOW READY FOR USE