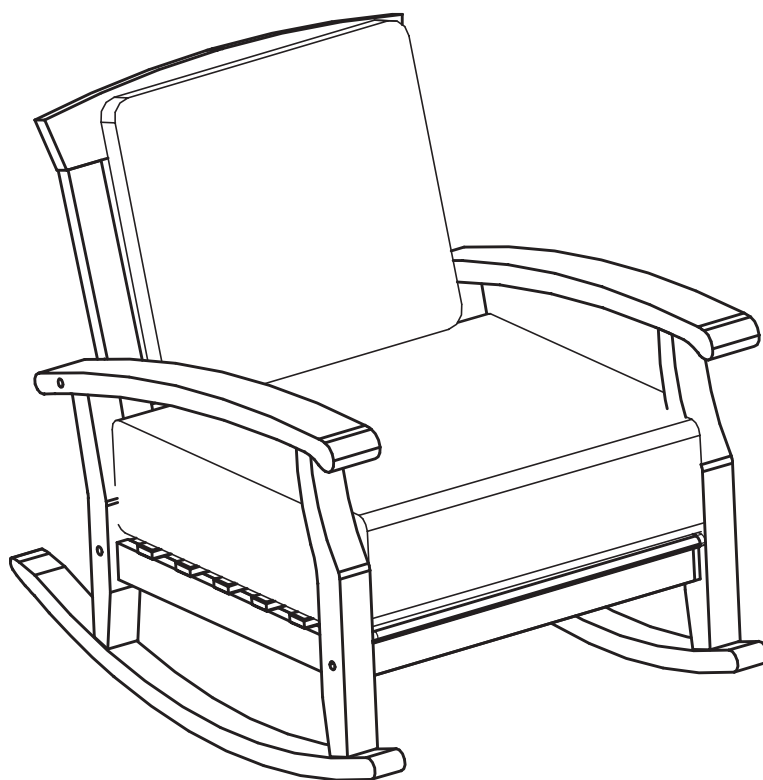


ASSEMBLY INSTRUCTIONS

TEAK DEEP SEATING ROCKER W/CUSHIONS

IT-130540T



CUSTOMER SERVICE INFORMATION

Please do not return to the store. If any pieces are missing call our toll free number at 1-888-287-4275 from 9:00 am to 5.00 pm CST (Monday to Friday) for replacement parts. For faster service, have the style number handy when calling.

GENERAL INFORMATION & TIPS

1. Please read the assembly instructions prior to assembling the chair.
2. To avoid damage, assemble the chair on a non-abrasive surface such as carpet.
3. Make sure all bolts tightly fastened before the chair is used.
4. This chair is not for commercial use.

Please make sure you have all parts before beginning assembly. Please wait until all steps are completed before tightening bolts.

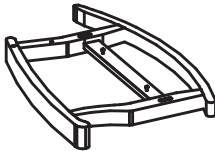
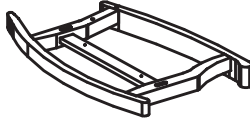



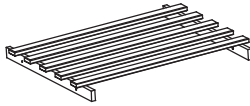




1. A Phillips screwdriver is necessary for assembly.
It's not included in hardware list.



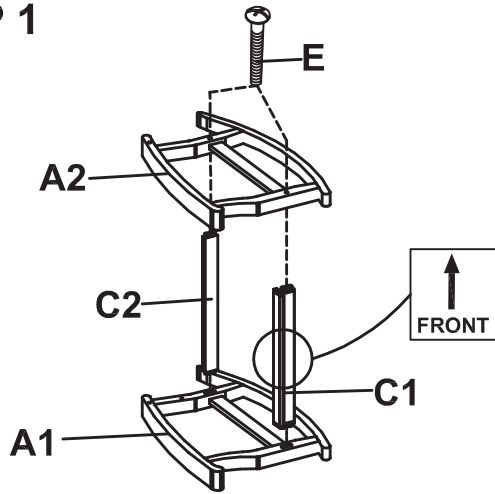
2. A Rubber mallet is necessary for assembly.
It's not included in hardware list.



PARTS AND HARDWARE LIST

A1. Right Side Frame	A2. Leftt Side Frame	B. Back Support	C1. Front Apron
			
QTY: 1 pc	QTY: 1 pc	QTY: 1 pc	QTY: 1 pc
C2. Back Apron	D. Seat	E. 2" Bolt	F. 3 1/2" Bolt
			
QTY: 1 pc	QTY: 1 pc	QTY: 4 pcs	QTY: 2 pcs
G. 1" Screw	H. Wooden Cap		
			
QTY: 4 pcs	QTY: 6 pcs		

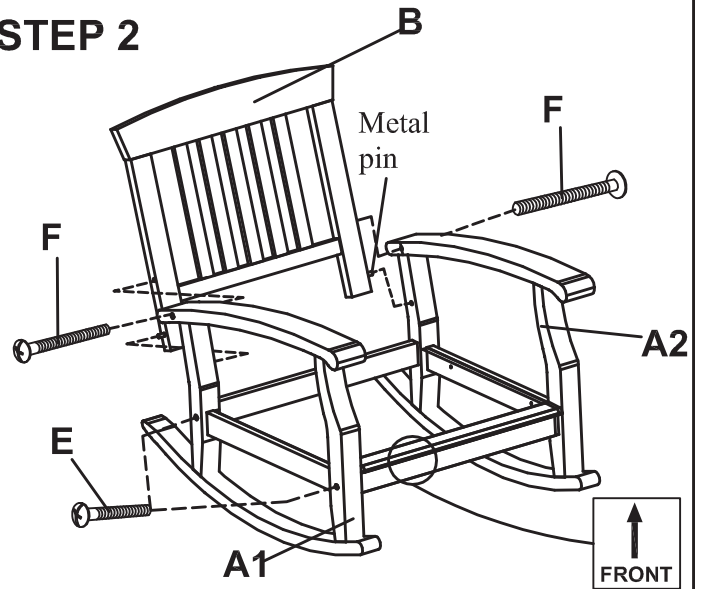
STEP 1



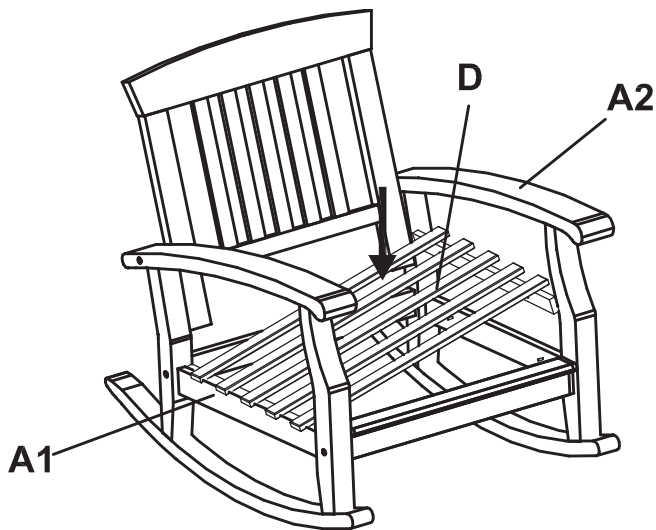
Attach right and left side frames (A1 & A2) into back apron and front apron (C1 & C2). (Apron with round edge must be attached in front). Secure using 2" bolts (E) into left side frame (A2), as shown.

**** DO NOT TIGHTEN BOLTS YET.**

STEP 2

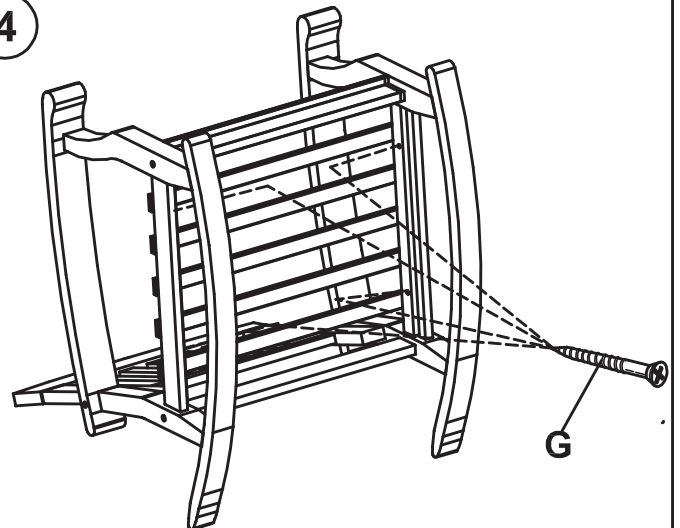


- Insert 2" bolts (E) to right side frame (A1).
- Attach back support (B) to side frames (A1 & A2) and secure using 3 1/2" bolts (F).

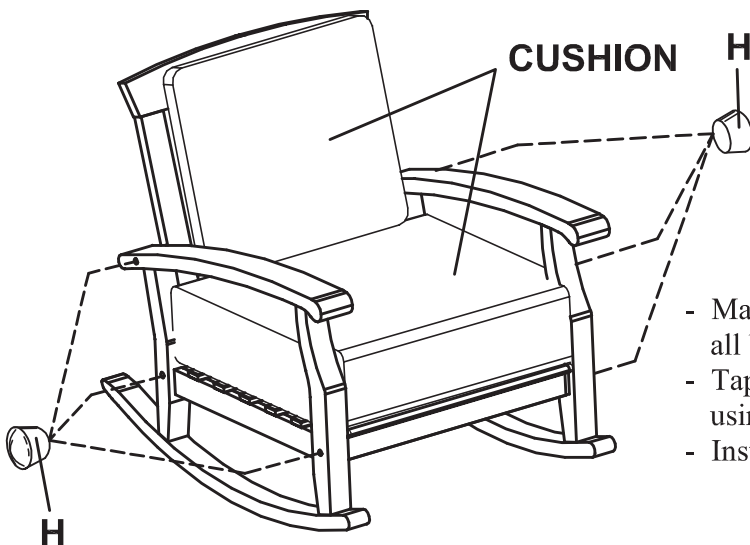


- Put the seat (D) into side frames (A1 & A2).

4



- Lay down the chair and secure the seat using 1" screws (G) as shown. Tighten using screwdriver.
- Upright the chair.



- Make sure all parts are correctly connected and tighten all bolts and screws completely using screwdriver.
- Tapping in the wooden caps (H) to cover bolt heads using rubber mallet.
- Install the cushions.

THE CHAIR IS NOW READY FOR USE.