

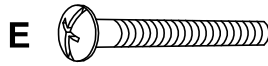
# ASSEMBLY INSTRUCTIONS

LIST OF WOODEN PARTS		
NO	DESCRIPTION	Q'TY
A1	RIGHT SIDE FRAME	1 PC
A2	LEFT SIDE FRAME	1 PC
B	BACK SUPPORT	1 PC
C	SEAT	1 PC
D1	FRONT APRON (ROUND EDGE)	1 PC
D2	BACK APRON	1 PC

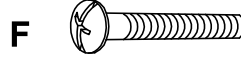
## QUESTION ?

Identify all parts and hardware. If any pieces are missing call our toll free number at 1-888-287-4275 from 9:00 am to 5:00 pm CST (Monday to Friday) for replacement parts. For faster service, have the style number handy when calling.

## LIST OF HARDWARE PARTS :



3 1/2" BOLT ..... 2 PCS + 1



2" BOLT ..... 4 PCS + 1



1" SCREW ..... 4 PCS + 1

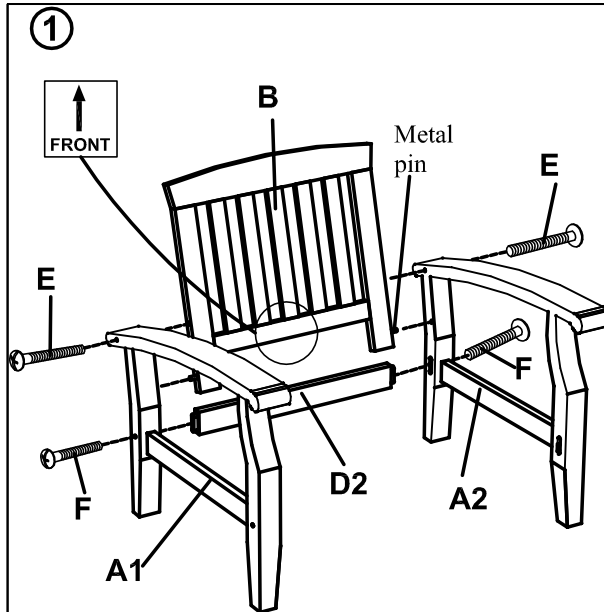


WOODEN CAP ..... 6 PCS + 1

NOTE : 1. PLEASE READ THE INSTRUCTION SHEET CAREFULLY BEFORE YOU START ASSEMBLY.

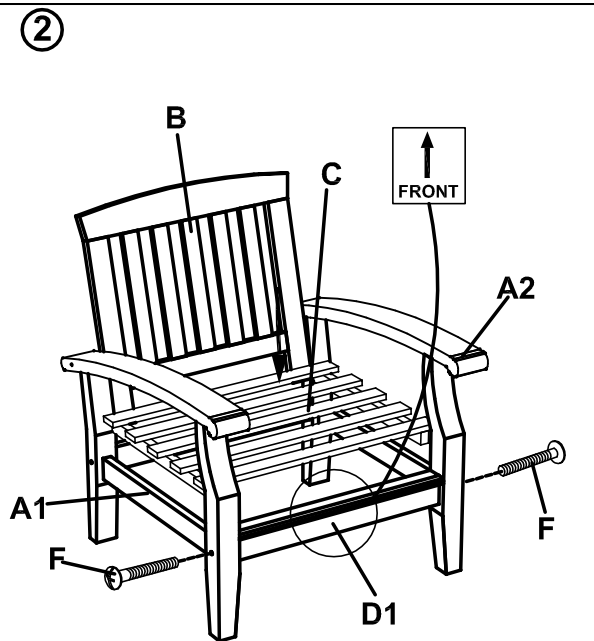
2. PLEASE DO NOT TIGHTEN THE BOLTS UNTIL ALL BOLTS ARE IN THE CORRECT POSITION AS SHOWN IN THE DIAGRAM.

3. PHILLIP'S SCREWDRIVER IS NEEDED IN ASSEMBLING. ( NOT PROVIDED )



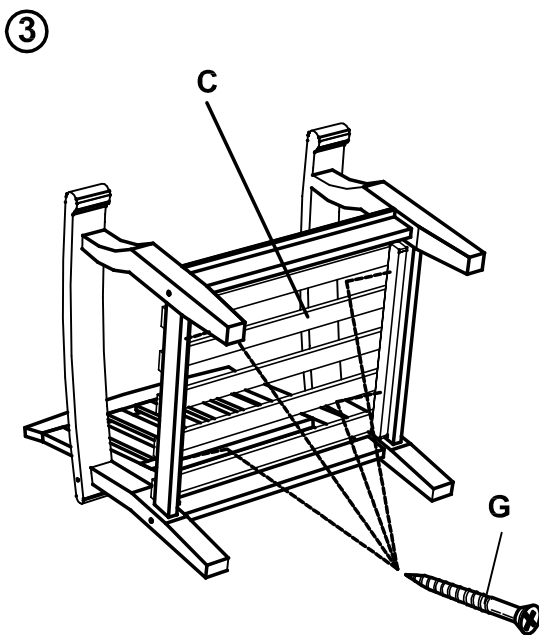
Attach right and left side frames (A1 & A2) into back support (B) and back apron (D2). Secure using 3 1/2" bolts (E) into back support and 2" bolts (F) into back apron as shown.

**\*\* DO NOT TIGHTEN BOLTS YET.**



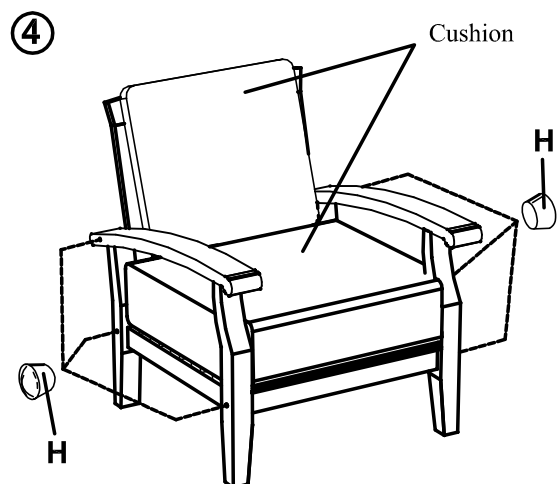
- Attach front apron (D1) into side frames and secure using 2" bolts (F). ( Apron with round edge must attached in front )

- Next, put the seat (C) into side frames.



- Lay down the chair and secure the seat using 1" screws (G) as shown. Tighten using screwdriver.

- Upright the chair.



- Make sure all parts are correctly connected and tighten all bolts and screws completely using screwdriver.

- Tapping in the wooden caps (H) to cover bolts head using rubber mallet.

- Install the cushions.

## CUSHION :

- \* To clean, hand wash with mild detergent, wipe with damp cloth, or use sponge.
- \* It is very important to air dry cushions when wet as mildew may growth on dirt and other substances that are not removed from fabric.
- \* To extend life of your cushions, keep them in storage during rainy seasons or use furniture cover.