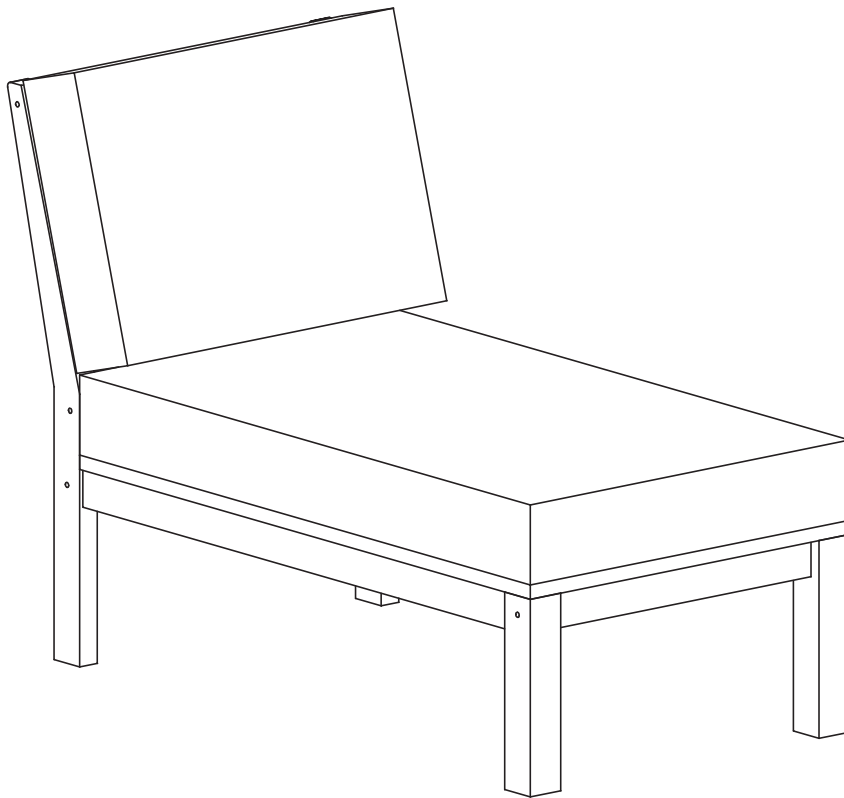


ASSEMBLY INSTRUCTIONS

**TEAK SECTIONAL LOUNGER CHAIR
WITH CUSHIONS**

IT-110450T



CUSTOMER SERVICE INFORMATION

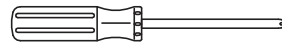
Please do not return to the store. If any pieces are missing call our toll free number at 1-888-287-4275 from 9:00 am to 5.00 pm CST (Monday to Friday) for replacement parts. For faster service, have the style number handy when calling.

GENERAL INFORMATION & TIPS

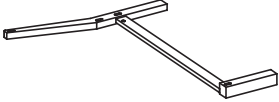
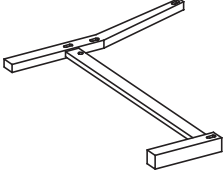

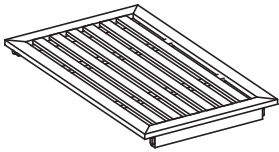

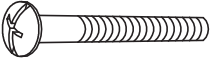
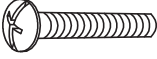
1. Please read the assembly instructions prior to assembling the chair.
2. To avoid damage, assemble the chair on a non-abrasive surface such as carpet.
3. Make sure all bolts tightly fastened before the chair is used.
4. This chair is not for commercial use.

Please make sure you have all parts before beginning assembly. Please wait until all steps are completed before tightening bolts.

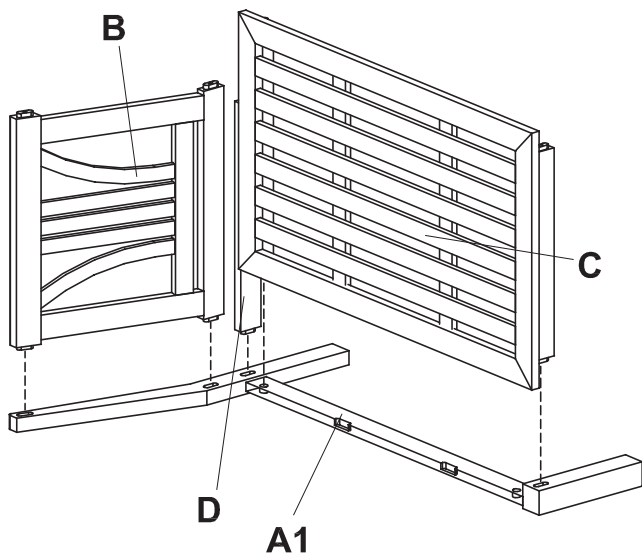
A Phillips screwdriver is necessary for assembly.
It's not included in hardware list.



PARTS AND HARDWARE LIST

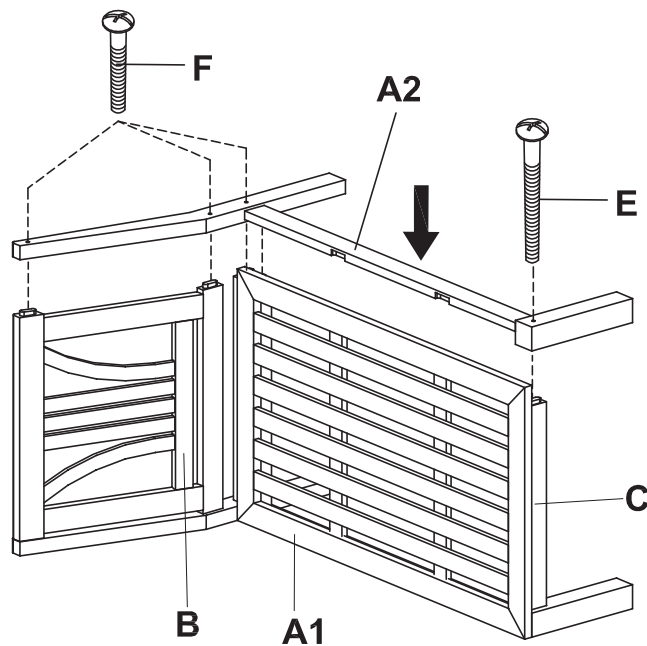
A1. Right side frame	A2. Left side frame	B. Back support	C. Seat
			
QTY: 1 pc	QTY: 1 pc	QTY: 1 pc	QTY: 1 pc
D. Apron	E. 2 1/4" Bolt	F. 1 1/2" Bolt	
			
QTY: 1 pc	QTY: 2 pcs +1	QTY: 6 pcs + 1	

STEP 1



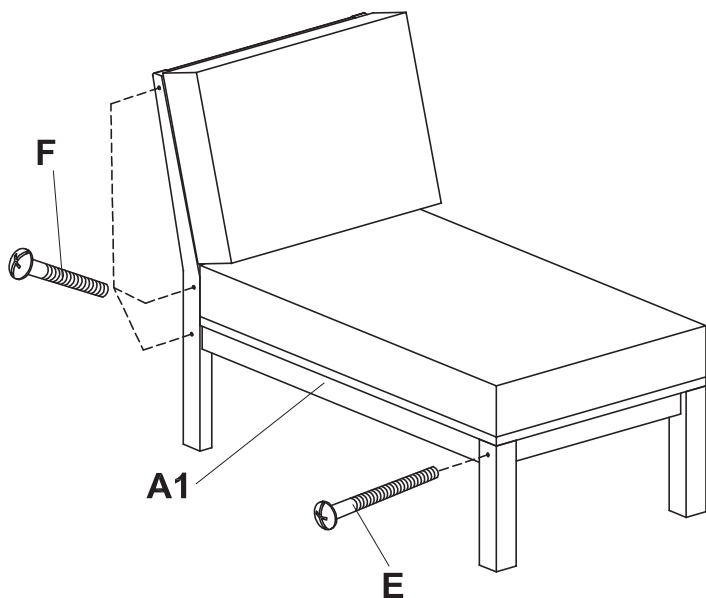
Attach the back support (B), Apron (D) and seat (C) to the right side frame (A1).

STEP 2



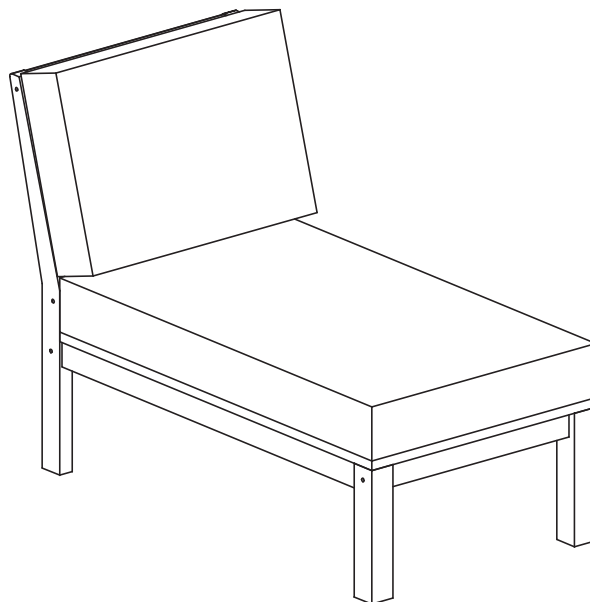
Next, attach the left side frame (A2) onto pre-assembled of step 1. Secure using 2 1/4" bolt (E) and 1 1/2" bolts (F) as shown.

STEP 3



Repeat step 2 procedure to secure other side frame. Make sure all parts are correctly connected and tighten all bolts using screwdriver. Install the cushions.

STEP 4



THE LOUNGER IS NOW READY FOR USE.