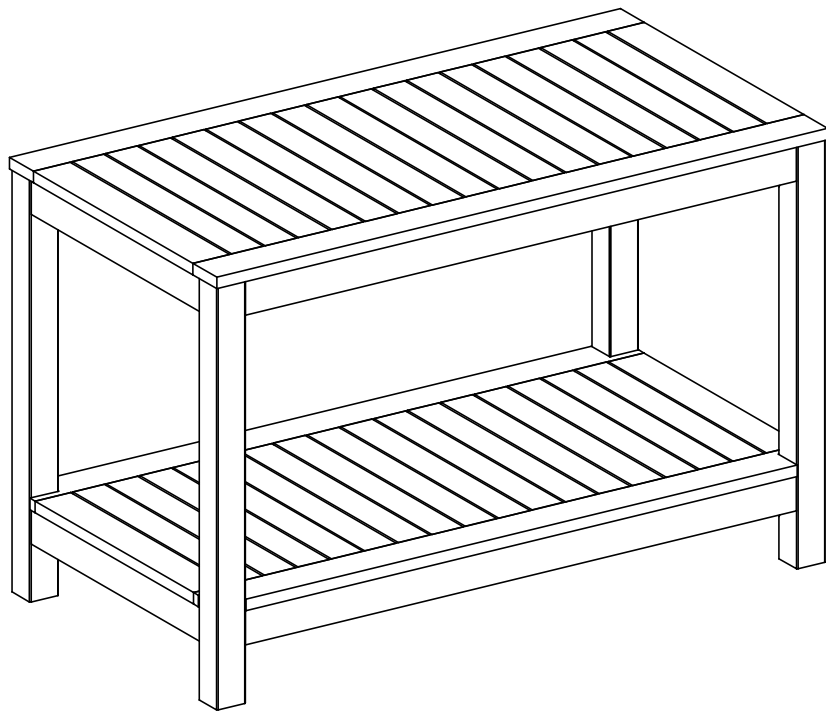


# ASSEMBLY INSTRUCTIONS

## CONSOLE TABLE IT-350225



### CUSTOMER SERVICE INFORMATION

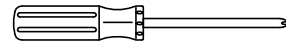
Please do not return to the store. If any pieces are missing call our toll free number at 1-888-287-4275 from 9:00 am to 5:00 pm CST (Monday to Friday) for replacement parts. For faster service, have the style number handy when calling.

## GENERAL INFORMATION & TIPS

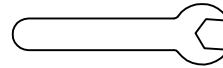
1. Please read the assembly instructions prior to assembling the table.
2. To avoid damage, assemble the table on a non-abrasive surface such as carpet.
3. Make sure all bolts and nuts tightly fastened before the table is used.
4. This table is not for commercial use.

Please make sure you have all parts before beginning assembly. Please wait until all steps are completed before tightening bolts and nuts.

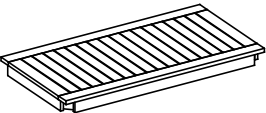
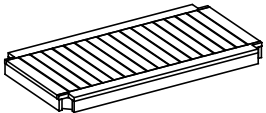
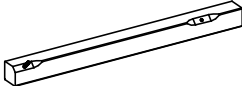
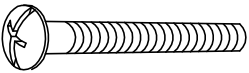


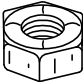
1. A Phillips screwdriver is necessary for assembly.  
It's not included in hardware list.



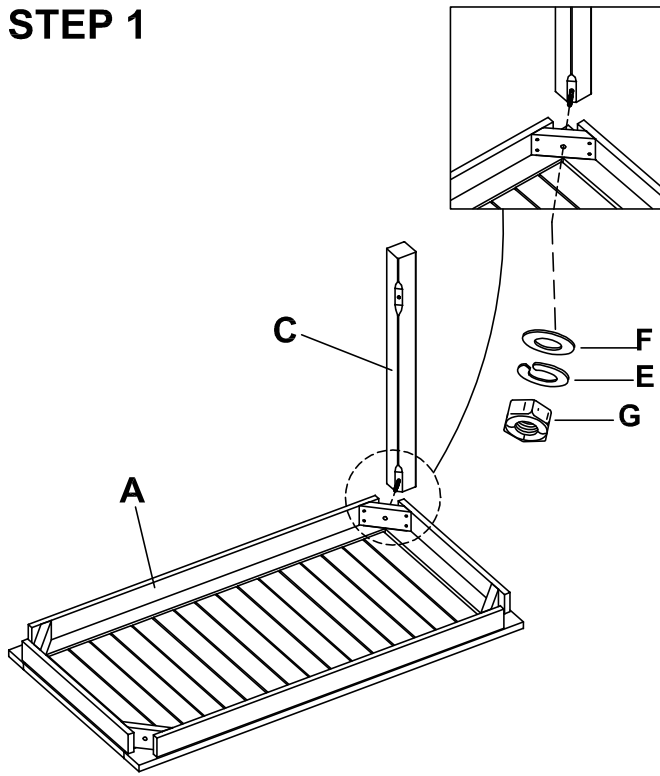
2. A Wrench is necessary for assembly.  
It's included in hardware list.



## PARTS AND HARDWARE LIST

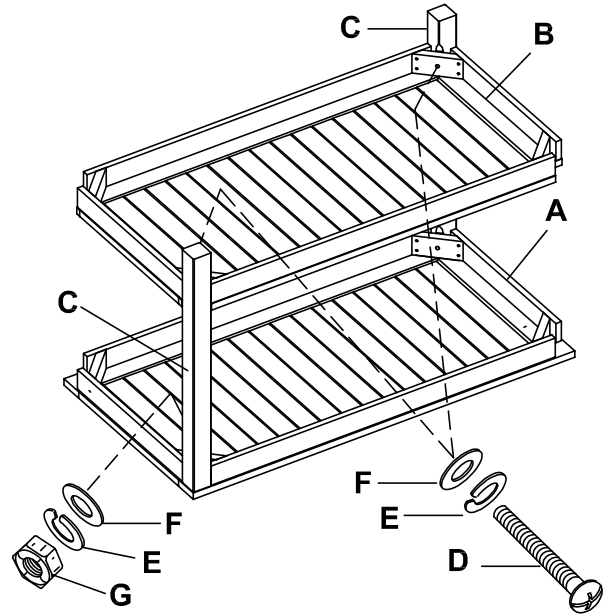
A. Table Top	B. BAse Frame	C. Leg	
			
QTY: 1 pc	QTY: 1 pc	QTY: 4 pcs	
D. 1 3/4" Bolt	E. Spring Washer	F. Washer	G. Nut
			
QTY: 4 pcs + 1	QTY: 8 pcs + 1	QTY: 8 pcs + 1	QTY: 4 pcs +1

## STEP 1



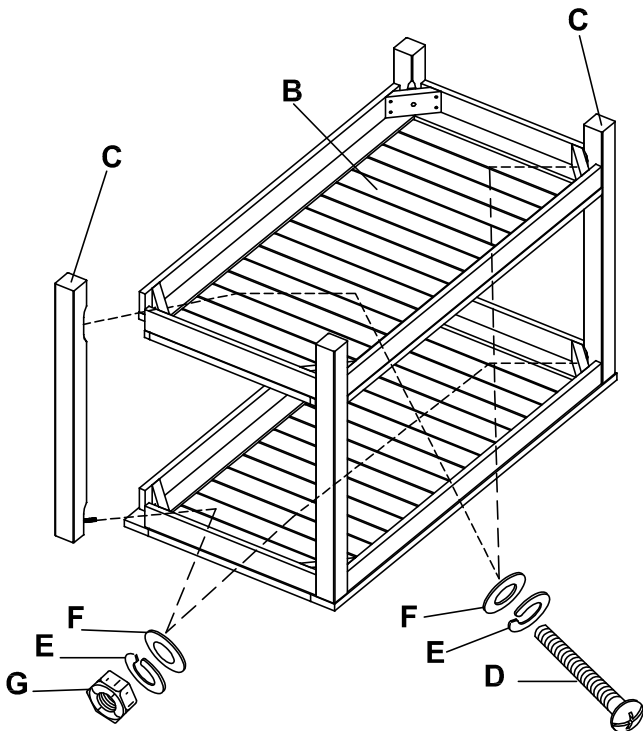
Attach leg (C) into corner of table top (A).  
Through predrilled hole and secure with washer (F), spring washer (E)  
and nut (G).  
Tighten nut using wrench.

## STEP 2



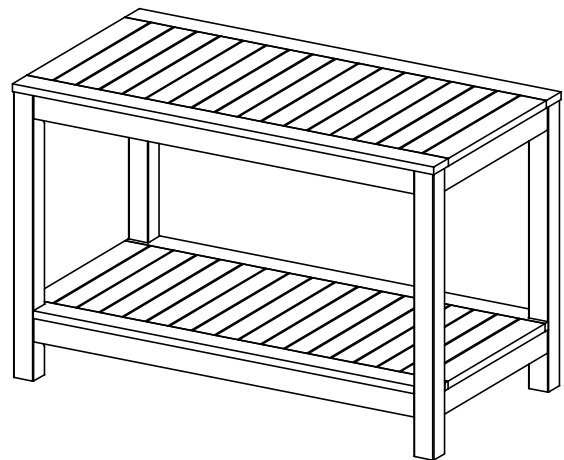
Attach base frame (B) to assembly from step 1.  
Secure with washer (F), spring washer (E), and 1 3/4" bolt (D).  
Tighten using screwdriver.  
Attach the other leg (C) into corner of table top (A) and base frame (B).  
Secure with washer (F), spring washer (E), and nut (G) to table top (A).  
and to base frame (B), insert washer (F), spring washer (E) and 1 3/4" bolt (D).

## STEP 3



Repeat same step for the remaining two legs.

## STEP 4



**CONGRATULATIONS !**  
THE TABLE IS NOW READY FOR USE.