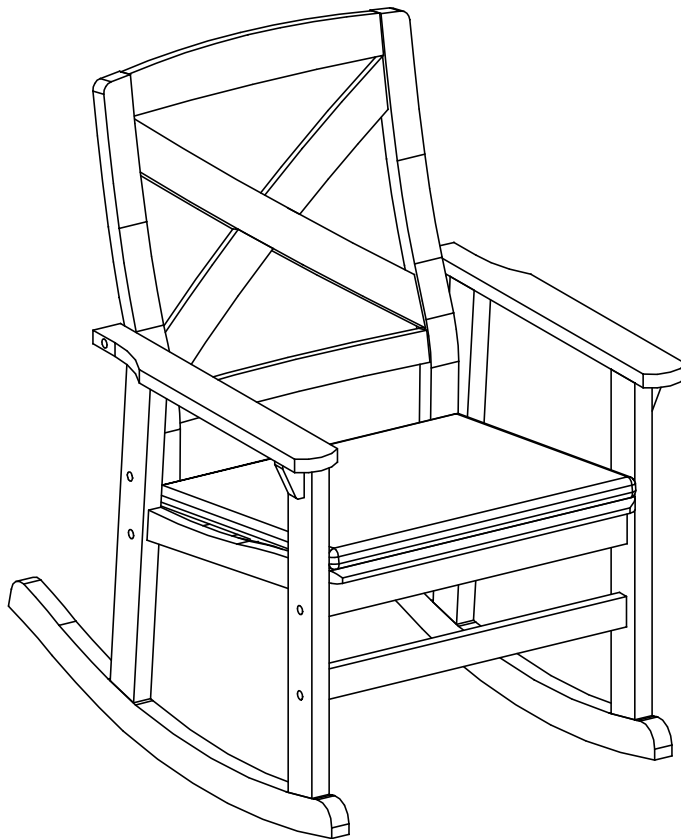


## **ASSEMBLY INSTRUCTIONS**

# **ROCKING CHAIR WITH CUSHION IT-130824**



### **CUSTOMER SERVICE INFORMATION**

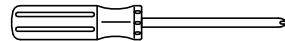
**Please do not return to the store. If any pieces are missing call our toll free number at 1-888-287-4275 from 9:00 am to 5.00 pm CST (Monday to Friday) for replacement parts. For faster service, have the style number handy when calling.**

## GENERAL INFORMATION & TIPS

1. Please read the assembly instructions prior to assembling the chair.
2. To avoid damage, assemble the chair on a non-abrasive surface such as carpet.
3. Make sure all bolts tightly fastened before the chair is used.
4. This chair is not for commercial use.

Please make sure you have all parts before beginning assembly. Please wait until all steps are completed before tightening bolts.

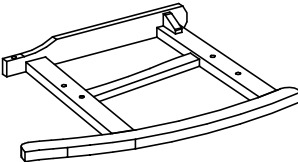
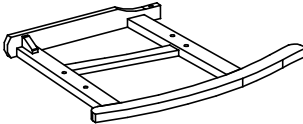
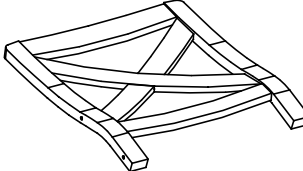
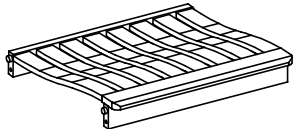
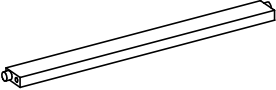
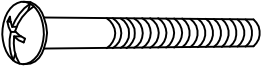
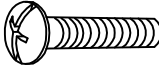

1. A Phillips screwdriver is necessary for assembly.  
It's not included in hardware list.



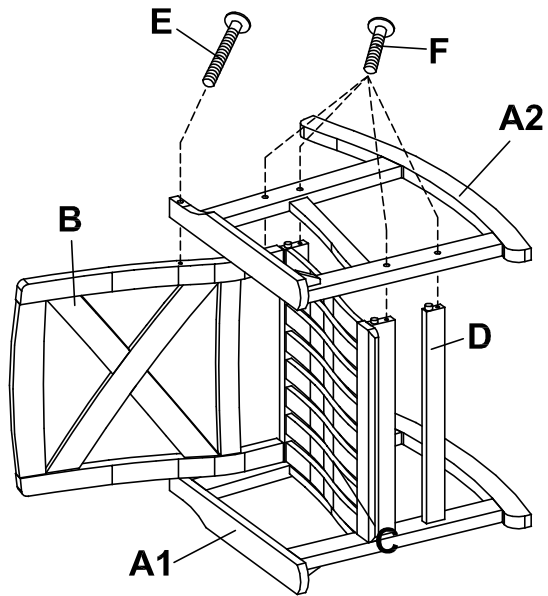
2. A Rubber mallet is necessary for assembly.  
It's not included in hardware list.



## PARTS AND HARDWARE LIST

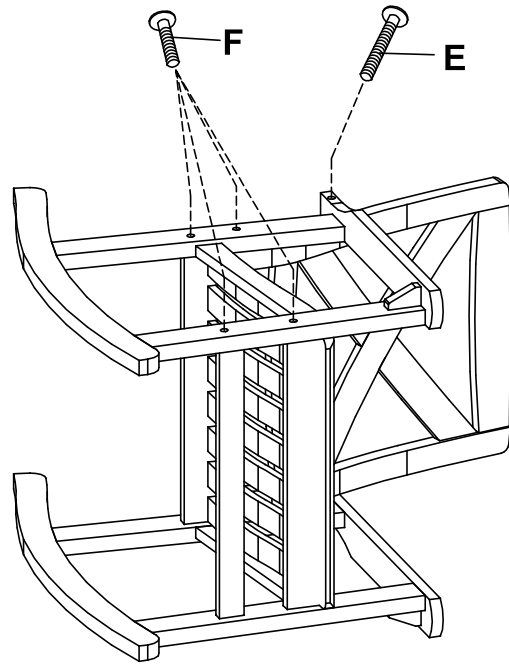
A1. Right side frame	A2. Left side frame	B. Back support	C. Seat
			
QTY: 1 pc	QTY: 1 pc	QTY: 1 pc	QTY: 1 pc
D. Cross Bar	E. 2" Bolt	F. 1 1/4" Bolt	G. Wooden cap
			
QTY: 1 pc	QTY: 2 pcs + 1	QTY: 8 pcs + 1	QTY: 10 pcs + 1

## STEP 1



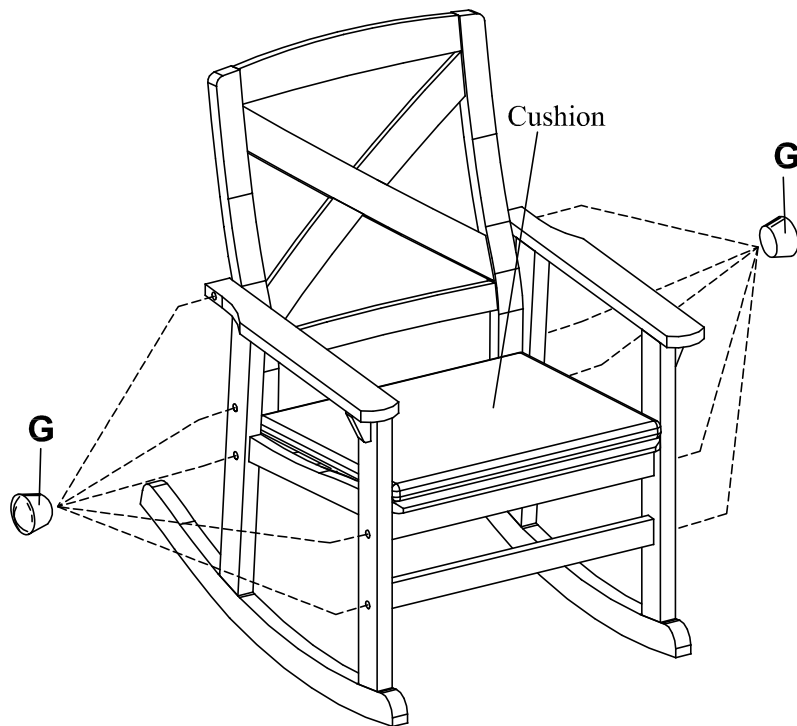
Attach right and left side frames (A1 & A2) into back support (B), seat (C) and cross bar (D). Secure using 2" bolts (E) into armrest and 1 1/4" bolts (F) into left side frame (A2).

## STEP 2



Upside the chair, and repeat step 1 procedure to secure the right side frame (A1).

## STEP 3



- Make sure all parts are correctly connected and tighten all bolts completely using screwdriver.
- Tapping in the wooden caps (G) to cover bolts head using rubber mallet.
- Install the cushions.

**THE CHAIR IS NOW READY FOR USE.**