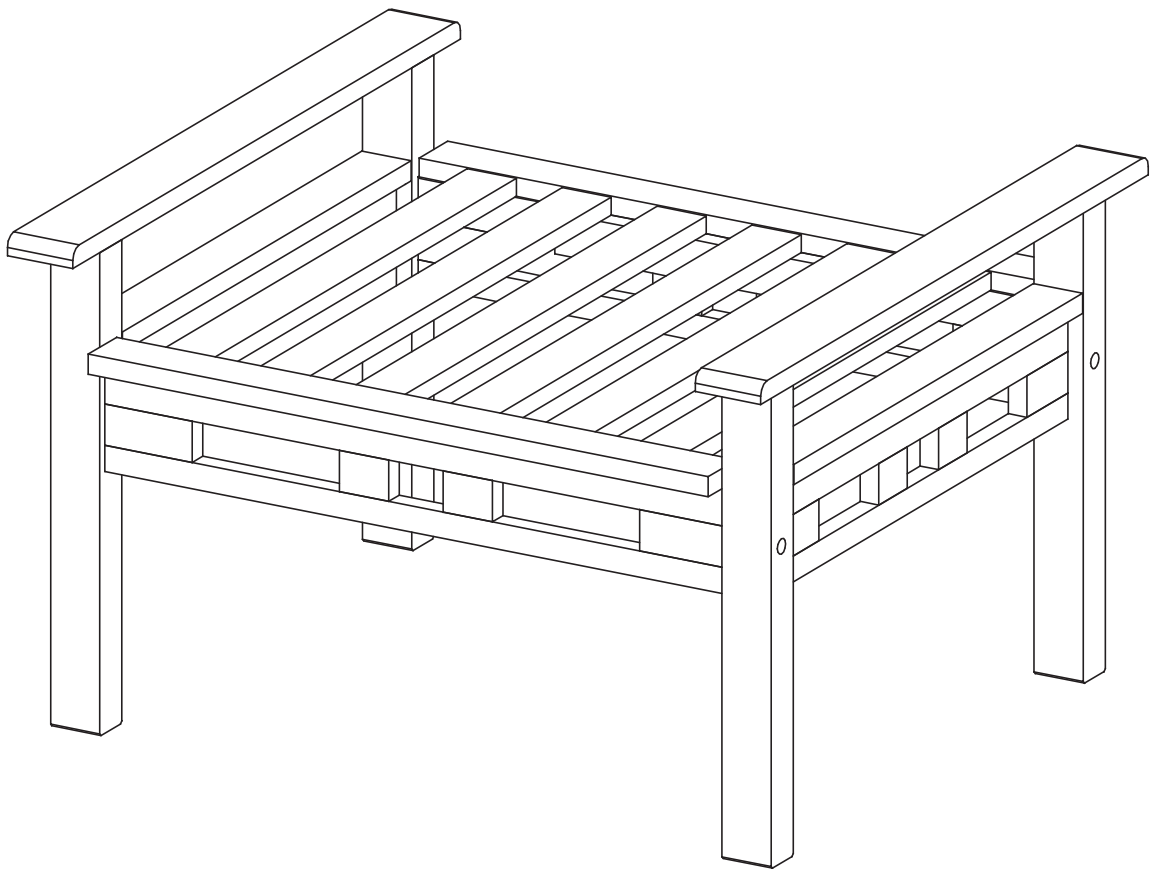


ASSEMBLY INSTRUCTIONS

STOOL

IT-280358T



CUSTOMER SERVICE INFORMATION

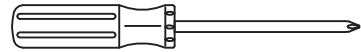
Please do not return to the store. If any pieces are missing call our toll free number at 1-888-287-4275 from 9:00 am to 5:00 pm CST (Monday to Friday) for replacement parts. For faster service, have the style number handy when calling.

GENERAL INFORMATION & TIPS

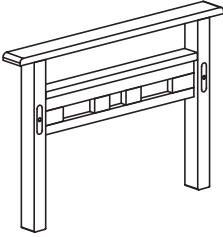
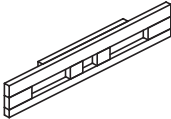
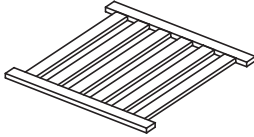
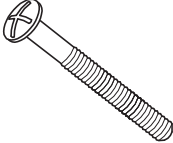
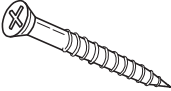
1. Please read the assembly instructions prior to assembling the Stool.
2. To avoid damage, assemble the stool on a non-abrasive surface such as carpet.
3. Make sure all bolts tightly fastened before the stool is used.
4. This Stool is not for commercial use.

Please make sure you have all parts before beginning assembly. Please wait until all steps are completed before tightening bolts and screws.

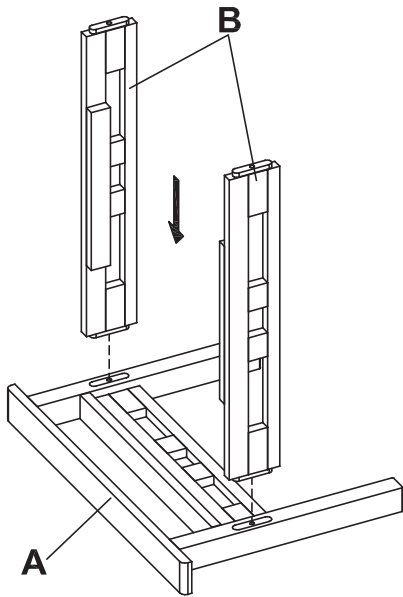
1. 8" Philips screwdriver
- For tightening all bolts and screws.



PARTS AND HARDWARE LIST

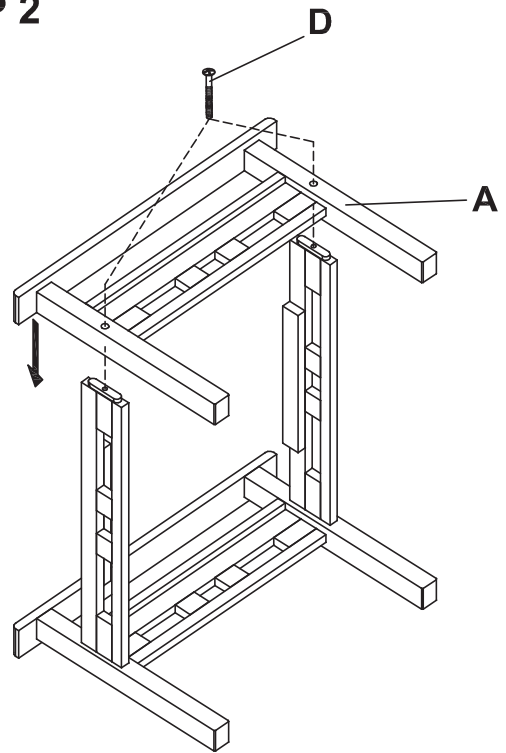
| A. Side frame | B. Apron | C. Seat | D. Bolt 1 3/4" |
|---|---|--|---|
|  |  |  |  |
| QTY: 2 pcs | QTY: 2 pcs | QTY: 1 pc | QTY: 4 pcs + 1 |
| E. Screw 1" | | | |
|  | | | |
| QTY: 4 pcs + 1 | | | |

STEP 1



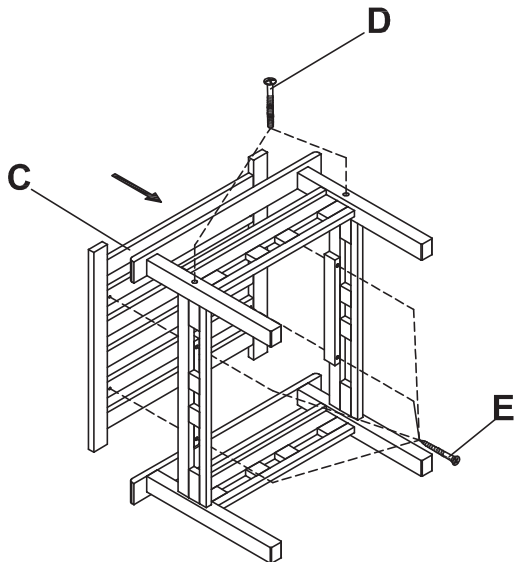
Attach Apron (B) into side frame (A)

STEP 2



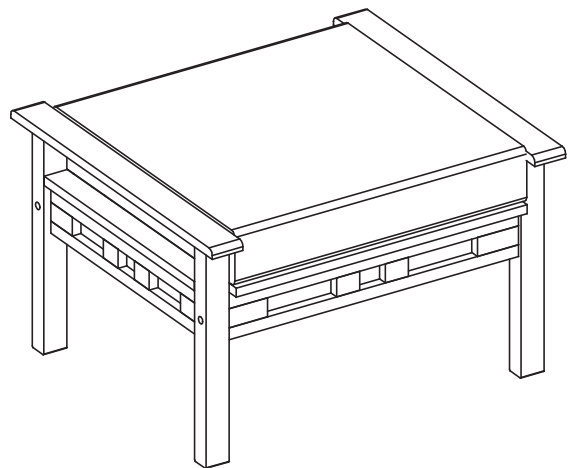
Attach side frame (A) to the assembly from step 1 using 1 3/4" bolts (D). Tighten all bolts using screwdriver.

STEP 3



Turn the arm chair. Secure with 1 3/4" bolt (D) and attach seat to top assembly stool secure with 1" screw. Tighten all bolts and screw using screwdriver.

STEP 4



- Make sure all parts are correctly connected and tighten all bolts and screw using screwdriver .

CONGRATULATION !

THE STOOL IS NOW READY FOR USE.