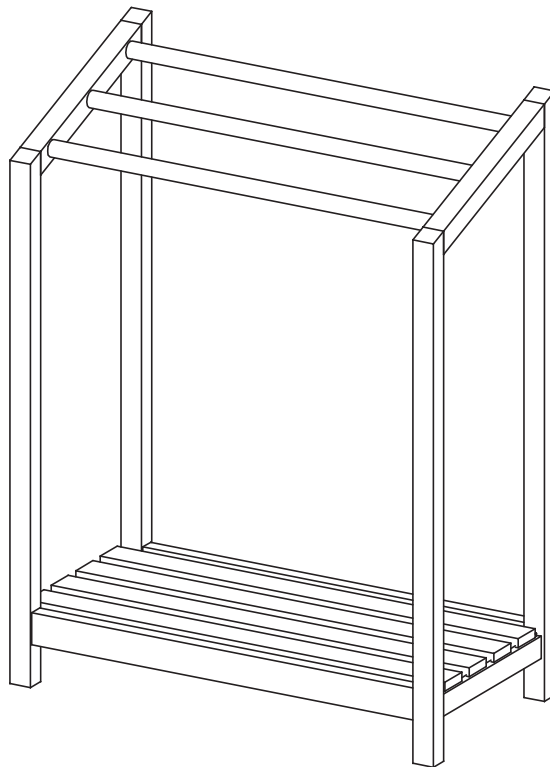


**ASSEMBLY INSTRUCTIONS**  
**TEAK TOWEL RACK**  
**IT-490053Q**



**CUSTOMER SERVICE INFORMATION**

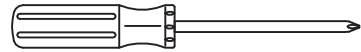
**Please do not return to the store. If any pieces are missing call our toll free number at 1-888-287-4275 from 9:00 am to 5.00 pm CST (Monday to Friday) for replacement parts. For faster service, have the style number handy when calling.**

## GENERAL INFORMATION & TIPS

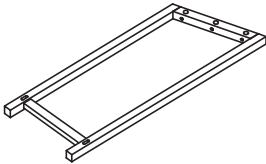
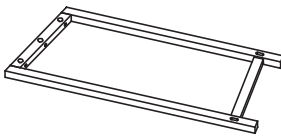
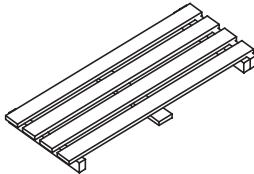
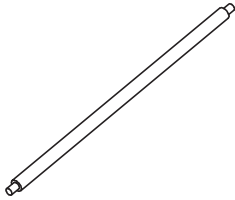
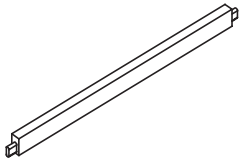



1. Please read the assembly instructions prior to assembling the Towel rack
2. To avoid damage, assemble the Towel rack on a non-abrasive surface such as carpet.
3. Make sure all screws tightly fastened before the Towel rack is used.
4. This towel rack is not for commercial use.

Please make sure you have all parts before beginning assembly. Please wait until all steps are completed before tightening screws.

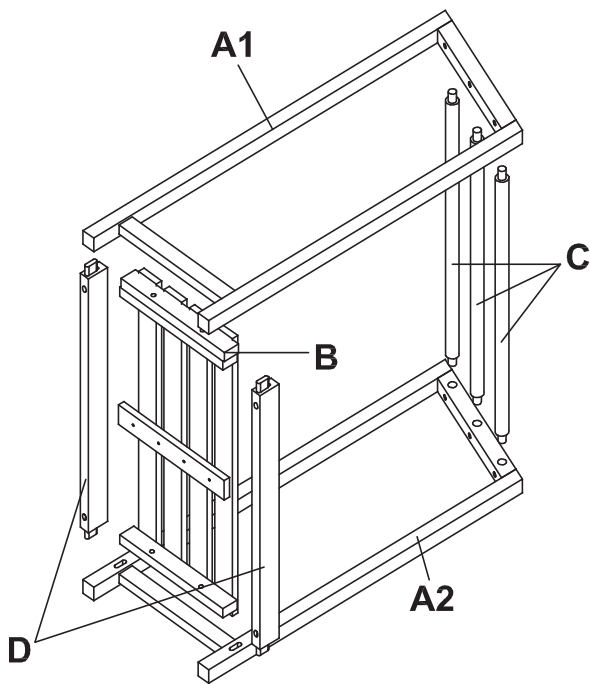
1. 8" Philips screwdriver (Not provided).  
- For tightening all bolts and screws.



## PARTS AND HARDWARE LIST

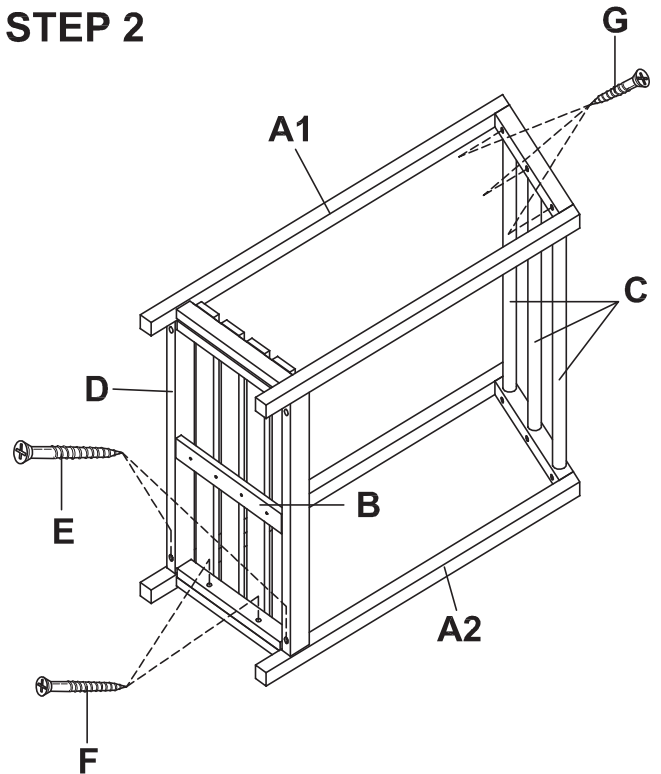
A1. Right leg frame	A2. Left leg frame	B. Base frame	C. Cross bar
			
Qty : 1 Pc	Qty : 1 Pc	Qty : 1 Pc	Qty : 3 Pcs
D. Apron	E. 1 1/2" Screw	F. 1 1/4" Screw	G. 3/4" Screw
			
Qty : 2 Pcs	Qty : 4 + 1 Pcs	Qty : 4 + 1 Pcs	Qty : 6 + 1 Pcs

### STEP 1



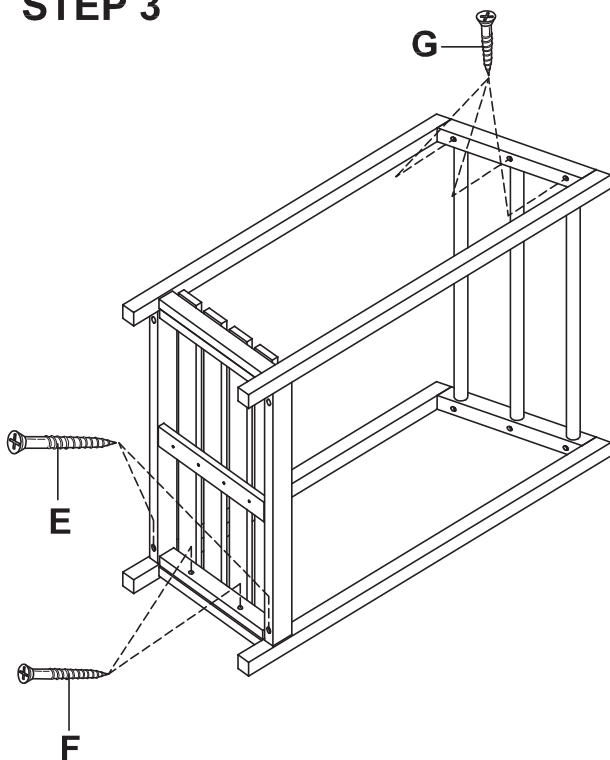
Attach cross bars (C) apron (D) and base frame (B) to leg frames (A1&A2), location as shown.

### STEP 2



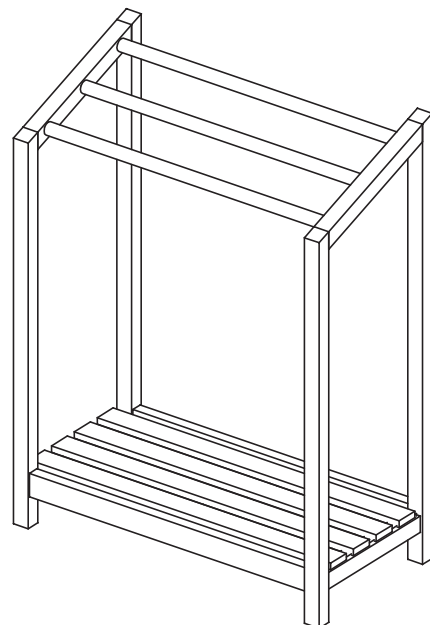
- Insert three 3/4" screws (G) and two 1 1/4" screws (F) into pre-drilled hole of leg frame (A1&A2), location as shown.
- Insert two 1 1/2" screws (E) into pre-drilled hole of apron (D), location as shown.
- Tighten using phillips screwdriver.

### STEP 3



- Repeat same procedure to attach the other leg frame.

### STEP 4



- Turn the towel rack upright.

**CONGRATULATION !**  
THE TOWEL RACK IS NOW READY FOR USE.