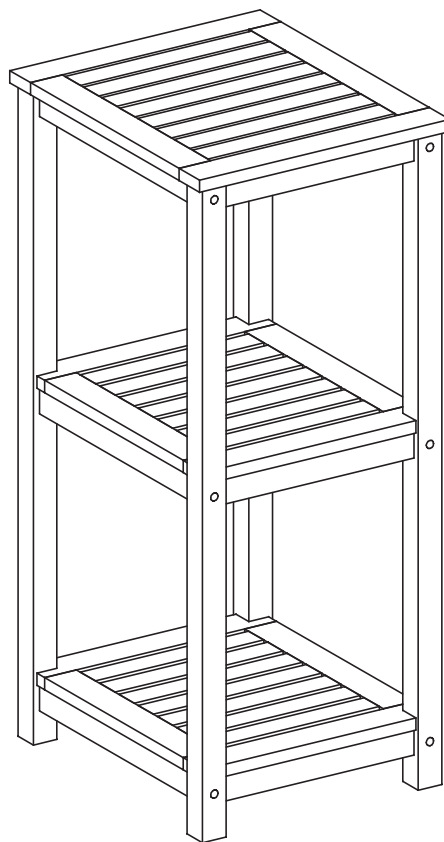


ASSEMBLY INSTRUCTIONS

3 TIER TOWER

IT-250284QT



CUSTOMER SERVICE INFORMATION

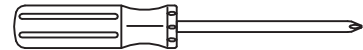
Please do not return to the store. If any pieces are missing call our toll free number at 1-888-287-4275 from 9:00 am to 5.00 pm CST (Monday to Friday) for replacement parts. For faster service, have the style number handy when calling.

GENERAL INFORMATION & TIPS

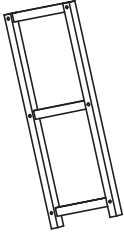
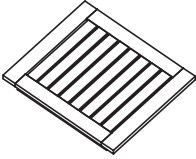
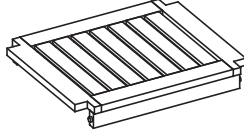

1. Please read the assembly instructions prior to assembling the rack.
2. To avoid damage, assemble the rack on a non-abrasive surface such as carpet.
3. Make sure all bolts tightly fastened before the rack is used.
4. This rack is not for commercial use.

Please make sure you have all parts before beginning assembly. Please wait until all steps are completed before tightening bolts.

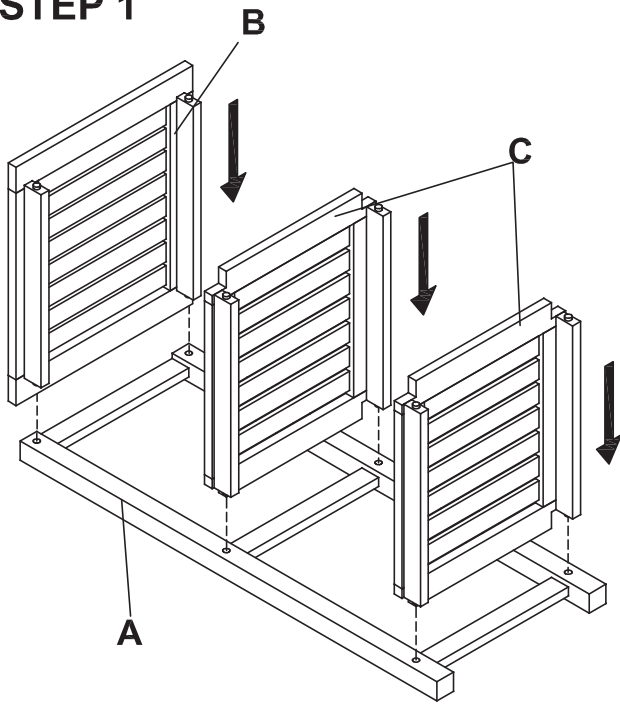
1. 8" Philips screwdriver (not included)
- For tightening all bolts



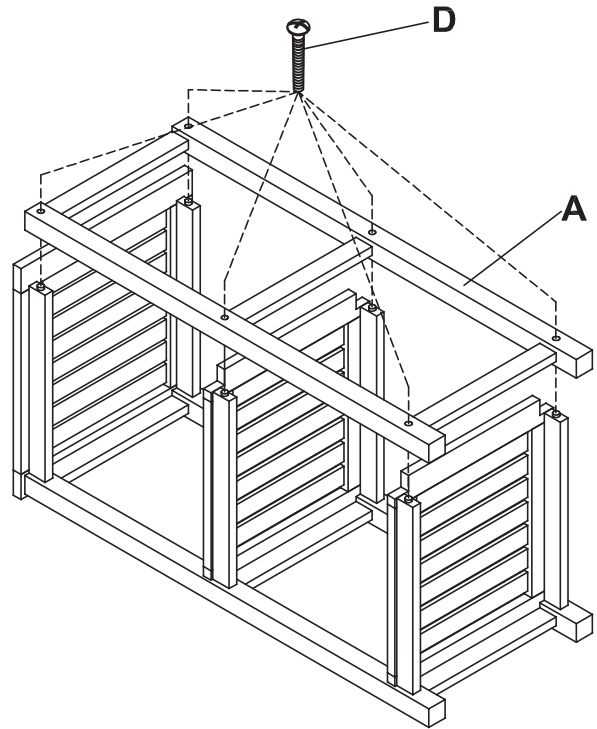
PARTS AND HARDWARE LIST

A. Side frame	B. Top tray	C. Bottom tray	D. 1 1/4" bolt
			
QTY: 2 Pcs	QTY: 1 pc	QTY: 2 pcs	QTY: 12 pcs + 1

STEP 1

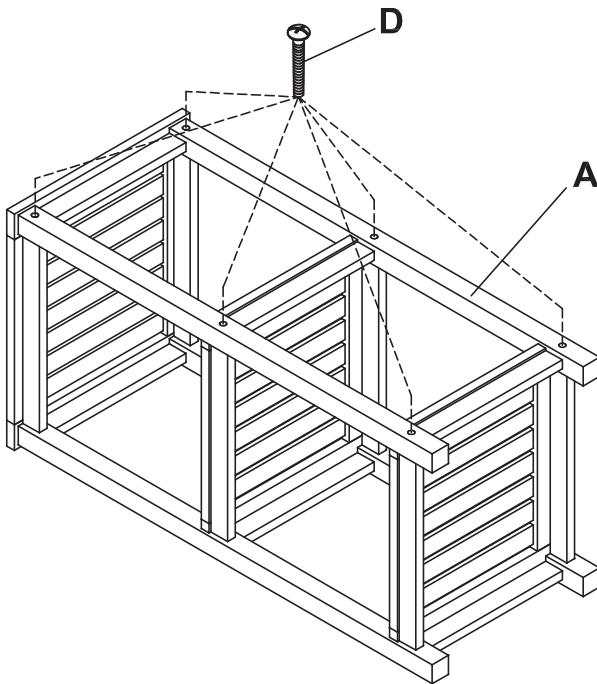


- ATTACH THE TOP TRAY (B) AND BOTTOM TRAY TO THE SIDE FRAMES (A).

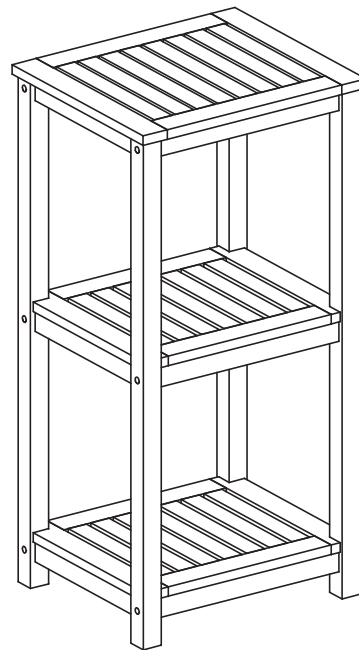


- ATTACH THE SIDE FRAME (A) TO PREVIOUSLY ASSEMBLY AND SECURE WITH 1 1/4" BOLTS (D). TIGHTEN ALL BOLTS USING SCREWDRIVER.

STEP 2



- UPSIDE THE RACK
- NEXT, REPEAT STEP 2 PROCEDURE TO SECURE THE SIDE FRAME (A)



MAKE SURE ALL PARTS ARE CORRECTLY COMPLETED AND TIGHTEN ALL BOLTS COMPLETELY USING SCREWDRIVER.

CONGRATULATION !

THE INDOOR RACK IS NOW READY FOR USE.