

# ASSEMBLY INSTRUCTIONS

## LIST OF WOODEN PARTS

NO.	DESCRIPTION	Q'TY
A	UPPER TRAY	2 PCS
B	BOTTOM TRAY	1 PC
C	LEGS	2 PCS
D	APRON	1 PC

### QUESTION ?

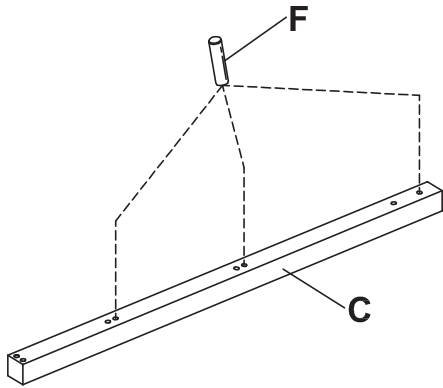
Identify all parts and hardware. If any pieces are missing call our toll free number at 1-888-287-4275 from 9:00 am to 5:00 pm CST (Monday to Friday) for replacment parts. For faster service, have the style number handy when calling.

## LIST OF HARDWARE PARTS :

- E  1" BOLT ..... 6 PCS + 1
- F  WOODEN DOWEL ..... 6 PCS + 1

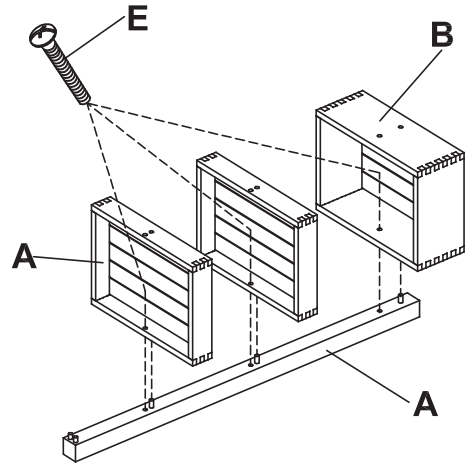
- NOTE : 1. PLEASE READ THE INSTRUCTION SHEET CAREFULLY BEFORE YOU START ASSEMBLY.  
 2. PLEASE DO NOT TIGHTEN THE BOLTS UNTIL ALL BOLTS ARE IN THE CORRECT POSITION AS SHOWN IN THE DIAGRAM.  
 3. PHILLIP'S SCREWDRIVER IS NEEDED IN ASSEMBLING (NOT PROVIDED).

1



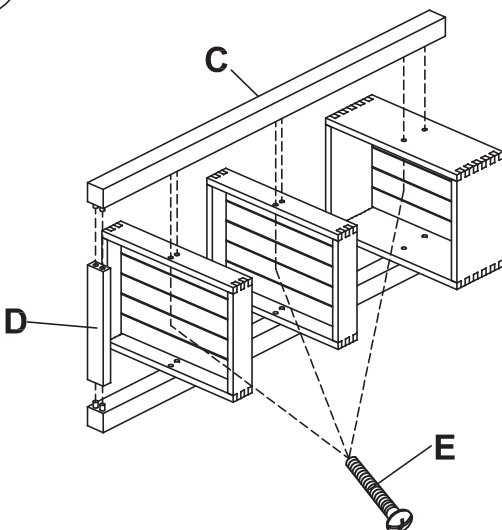
- Insert wooden dowels (F) into leg holes (C), location as shown.
- Repeat the same procedure to other leg.

2



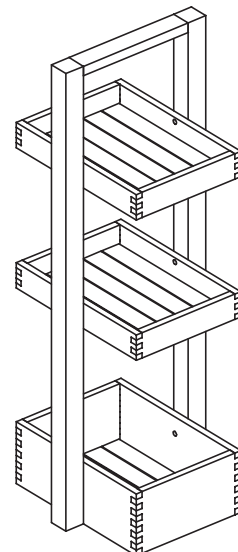
- Attach upper trays (A) and bottom tray (B) to leg (C), location as shown,
- Secure with 1" bolts (E) and tighten using phillips screwdriver, Not provided.

3



- Attach apron (D) to leg (C) and repeat STEP 2.

4



- Turn the tower up-right.
- The caddy is now ready for use.

IT- 250280F T